

# 5MP ColorHunter HD Fixed Turret Analog Camera

XD-500WL-28F



## Introduction

XD-500WL-28F is a 5MP ColorHunter HD fixed turret analog camera with a high-performance 1/2.7-inch CMOS sensor. It supports TVI/AHD/CVI/CVBS, which effectively enhances product adaptability and diversity of networking solutions. With SYV-75-3 or other coaxial cable types, the camera can achieve low-cost, long-distance, and anti-interference mega-pixel HD video transmission without time delay. The camera supports audio input, synchronous transmission of audio and video, and 24/7 full-color imaging.

## Features

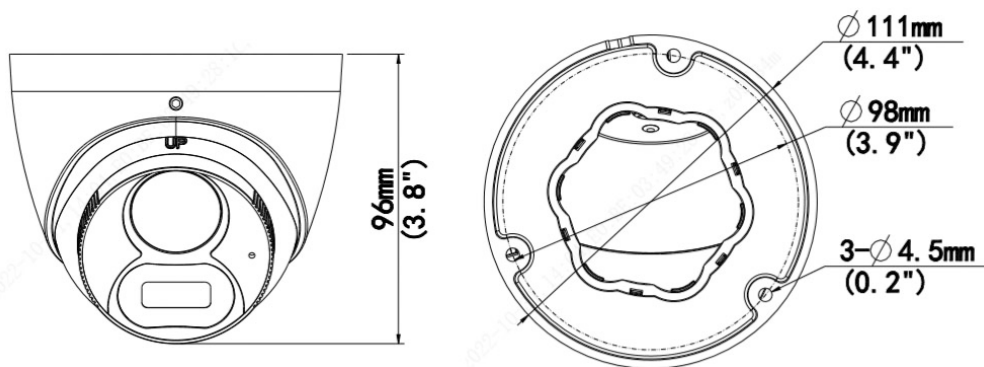
- 5MP high quality imaging
- TVI/AHD/CVI/CVBS (default: TVI: 5MP@20fps)
- Supports white light illumination, 24/7 full-color imaging
- Supports 180° horizontal flip, 180° vertical flip
- OSD configuration menu, easy to operate
- IP67 waterproof and dustproof design, high reliability
- OSD configuration menu in 11 languages
- Built-in microphone for high quality audio transmission via coaxial cables
- Metal front face and housing

## Specifications



Model	XD-500WL-28F
<b>Sensor</b>	
Pixel	5MP
Size	1/2.7"
Minimum illumination	0.005lux (F1.4, AGC ON) 0.00 lux (white light on)
<b>Lens</b>	
Lens	2.8mm
Lens mount	M12
Angle of view	H: 111.5° V: 58.9° D: 134.8°
<b>Illuminator</b>	
Illuminator	Two white-light illuminators
Illumination distance	40m
Lifetime	≥60,000 hours
<b>Video</b>	
Resolution	<b>5MP@25fps:</b> 2880(H)×1620(V); <b>5MP@20fps:</b> 2592(H)×1944(V); <b>5MP@12.5fps:</b> 2592(H)×1944(V) <b>4MP:</b> 2560(H)×1440(V) <b>1080P:</b> 1920(H)×1080(V)
Frame rate	<b>TVI:</b> 5MP@20fps (default), 5MP@12.5fps, 4MP@30fps, 4MP@25fps, 1080P@30fps, 1080P@25fps <b>AHD:</b> 5MP@20fps, 4MP@30fps, 4MP@25fps, 1080P@30fps, 1080P@25fps <b>CVI:</b> 5MP@25fps, 4MP@30fps, 4MP@25fps, 1080P@30fps, 1080P@25fps <b>CVBS:</b> PAL, NTSC
Shutter time	PAL: 1/25s-1/50000s NTSC: 1/30s-1/50000s
<b>Image</b>	
Exposure mode	Four modes: Global (default), BLC, HLC, DWDR
Day/Night	24/7 full-color imaging
Digital noise reduction	2D
White balance	Two modes: Auto (default), Manual
WDR	DWDR
Flip	Supports 180° horizontal flip, 180° vertical flip
<b>Audio</b>	
Microphone	Built-in Mic
Camera audio	TVI: 5MP@20fps, 5MP@12.5fps, 4MP@30fps, 4MP@25fps, 1080P@30fps, 1080P@25fps CVI: 5MP@25fps, 4MP@30fps, 4MP@25fps
<b>Interface</b>	
Power	5.5x2,1mm power interface
Video output	BNC, supports TVI/AHD/CVI/CVBS
<b>Operating environment</b>	
Temperature	-30°C to 60°C
Humidity	≤95% (RH, non-condensing)
Surge protection	4kV
Ingress protection	IP67

General	
Power	DC12V (±25%), with reverse polarity protection and surge protection. Max 3.28W
Mount	Surface mount (default), optional junction box and wall mount bracket
Dimensions	Φ111mmx96mm (diameter x height)
Material	Metal and plastic
Weight	356g
Certification	CB, CE, FCC, UL

## Dimensions



## Accessories

Accessory Model	Image	Remarks
TR-JB03-G-IN		Junction Box for Mini Fix-dome (Support wiring from behind) Φ108.6mm*38.5mm, sold separately
TR-WM03-D-IN		Fixed mini dome/fisheye mini dome/plastic turret camera wall mount bracket 126.42mm*125.57mm*183.37mm, sold separately