

2MP Starlight HD IR Fixed Turret Analog Camera

XD-200IRS-28F



Overview

XD-200IRS-28F is a 2MP Starlight HD IR fixed turret analog camera with a high-performance 1/2.9-inch CMOS sensor and 3D noise reduction technology. It supports TVI/AHD/CVI/CVBS, which effectively enhances product adaptability and diversity of networking solutions. With SYV-75-3 or other coaxial cable types, the camera can achieve low-cost, long-distance, and anti-interference mega-pixel HD video transmission without time delay. It supports IR-cut filter with auto-switch (ICR) and provides color images at daytime and black/white images at night. The camera also supports audio input and synchronous transmission of audio and video.

Features

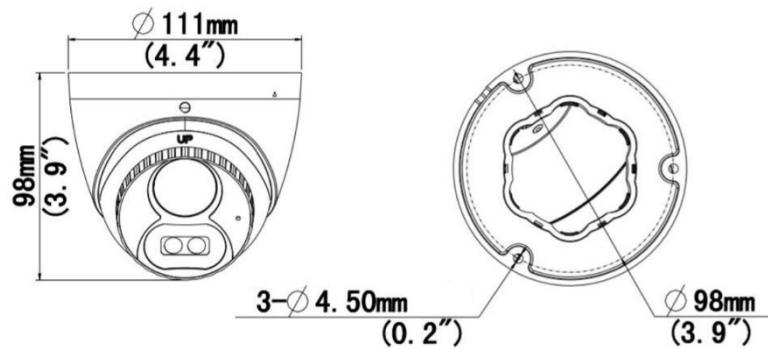
- High quality imaging with 2MP resolution
- TVI/AHD/CVI/CVBS
- Supports IR-cut filter with auto-switch (ICR)
- LightHunter monitoring with high-sensitivity sensor
- 3D noise reduction technology delivers clean and sharp images
- Supports 180° horizontal flip, 180° vertical flip
- OSD configuration menu, easy to operate
- IP67 waterproof and dustproof design, high reliability
- OSD configuration menu in 11 languages
- Built-in microphone for high quality audio transmission via coaxial cables (only in TVI and CVI mode)
- Supports digital defog
- 3-Axis

Specifications



Sensor	
Sensor	XD-200IRS-28F
Pixel	2MP (1920x1080)
Sensor Size	1/2.9"
Min. Illumination	0.005 lux (F1.6, AGC ON) 0lux (IR on)
Lens	
Focus	2.8mm
Lens Mount	M12
Angle of View	101.5° (H), 56.9° (V), 117.4° (D)
Illuminator	
Illuminator Number	2pcs
Illumination Distance	40m
Lifetime	≥60000 hours
Video	
Resolution	1080P: 1920(H)×1080(V) 720P: 1280(H) ×720(V)
Frame Rate	TVI/AHD/CVI: 1080P@25fps(default), 1080P@30fps; 720P@25fps, 720P@30fps CVBS: PAL, NTSC
Shutter Time	PAL: 1/25s-1/50000s NTSC: 1/30s-1/50000s
Image	
Exposure Mode	Four modes: Global(default), BLC, HLC, DWDR
Day/Night	Three modes: Auto(default), Day, Night
Digital Noise Reduction	2D/3D
White Balance	Two modes: Auto (default), Manual
WDR	DWDR
Smart IR	Support
Flip	Supports 180° horizontal flip, 180°vertical flip
Digital Defog	Support
Audio	
Built-in Mic	Support
Camera Audio	TVI: 1080P@25fps, 1080P@30fps CVI: 1080P@25fps, 1080P@30fps
Interface	
Power Interface	5.5mm Power Interface
Video Output	BNC, supports TVI/AHD/CVI/CVBS
Operating Environment	
Temperature	-30°C to 60°C

Humidity	≤95% RH (non-condensing)
Surge Protection	4kV for power; 4kV for video output interfaces
Ingress Protection	IP67
General	
Power	DC12V±25%
Power Consumption	Max 3.2W
Dimensions	Φ111mm*98mm (diameter*height)
Material	Metal+plastic
Weight	334g

Dimensions



Accessories

Accessory Model	Image	Remarks
TR-JB03-G-IN		Junction Box for Mini Fix-dome (Support wiring from behind) Φ108.6mm*38.5mm, sold separately
TR-WM03-D-IN		Fixed mini dome/fisheye mini dome/plastic turret camera wall mount bracket 126.42mm*125.57mm*183.37mm, sold separately