

2MP Starlight HD IR Fixed Mini Bullet Analog Camera

XB-200IRS-28F



Introduction

XB-200IRS-28F is a 2MP Starlight HD IR fixed mini bullet analog camera with a high-performance 1/2.9-inch CMOS sensor and 3D noise reduction technology. It supports TVI/AHD/CVI/CVBS, which effectively enhances product adaptability and diversity of networking solutions. With SYV-75-3 or other coaxial cable types, the camera can achieve low-cost, long-distance, and anti-interference mega-pixel HD video transmission without time delay. It supports IR-cut filter with auto-switch (ICR) and provides color images at daytime and black/white images at night. The camera also supports audio input and synchronous transmission of audio and video.

Features

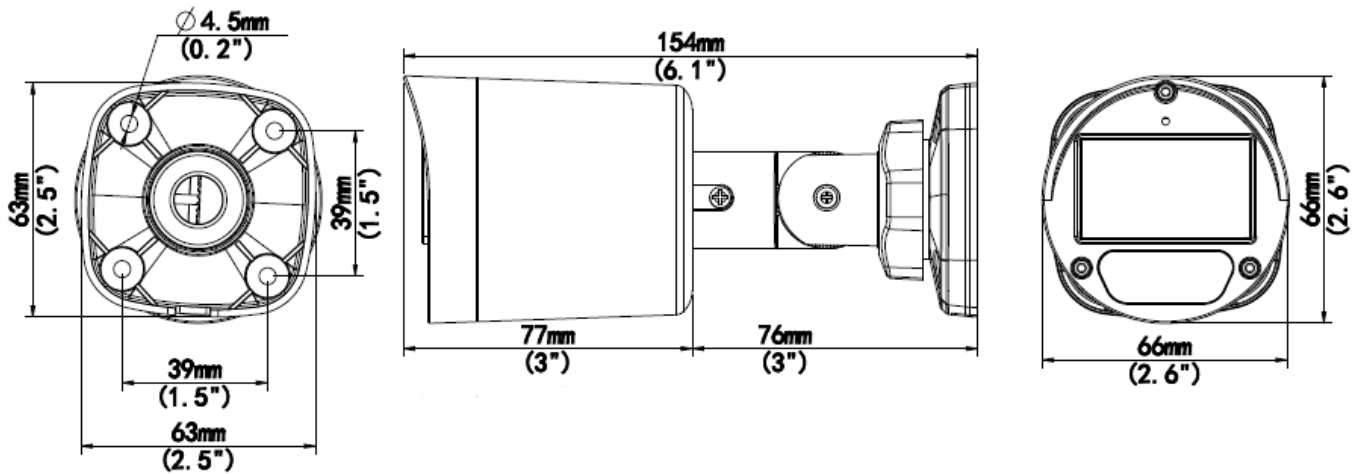
- High quality imaging with 2MP resolution
- TVI/AHD/CVI/CVBS
- Supports IR-cut filter with auto-switch (ICR)
- Starlight monitoring with high-sensitivity sensor
- 3D noise reduction technology delivers clean and sharp images
- Supports 180° horizontal flip, 180° vertical flip
- OSD configuration menu, easy to operate
- IP67 waterproof and dustproof design, high reliability
- OSD configuration menu in 11 languages
- Built-in microphone for high quality audio transmission via coaxial cables
- Supports digital defog

Specifications

Model	XB-200IRS-28F
Sensor	
Pixel	2MP
Size	1/2.9"
Minimum illumination	0.005 lux (F1.6, AGC ON) 0 lux (IR on)
Lens	
Lens	2.8mm
Lens mount	M12
Angle of view	H: 101.5° V: 56.9° D: 117.4°
Illuminator	
Illuminator	Two IR illuminators
Illumination distance	40m
Lifetime	≥60,000 hours
Video	
Resolution	1080P: 1920(H)×1080(V) 720P: 1280(H) ×720(V)
Frame rate	TVI/AHD/CVI: 1080P@25fps (default), 1080P@30fps; 720P@25fps, 720P@30fps CVBS: PAL, NTSC
Shutter time	PAL: 1/25s-1/50000s NTSC: 1/30s-1/50000s
Image	
Exposure mode	Four modes: Global (default), BLC, HLC, DWDR
Day/Night	Three modes: Auto (default), Day, Night
Digital noise reduction	2D/3D
White balance	Two modes: Auto (default), Manual
WDR	DWDR
Smart IR	Support
Flip	Supports 180° horizontal flip, 180° vertical flip
Defog	Digital Defog
Audio	
Microphone	Built-in Mic
Camera audio	TVI: 1080P@25fps, 1080P@30fps CVI: 1080P@25fps, 1080P@30fps
Interface	
Power	5.5mm power interface
Video output	BNC, supports TVI/AHD/CVI/CVBS
Operating environment	
Temperature	-30°C to 60°C
Humidity	≤95% (RH, non-condensing)
Surge protection	4kV
Ingress protection	IP67
General	
Power	DC 12V (±25%), with reverse polarity protection and surge protection, Max 3.22W

Mount	3D bracket supplied, surface mount (default), optional backbox, pole mount bracket
Dimensions	157.4 x 66.5 x 66.5mm (L x W x H)
Material	Metal+Plastic
Weight	265g
Certification	CB, CE, FCC, UL

Dimensions



Accessories

TR-JB05-A-IN

Junction Box



TR-UP06-B-IN

Pole Mount



TR-UP06-C-IN

Pole Mount



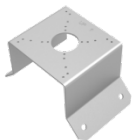
TR-A01-IN

Waterproof joint



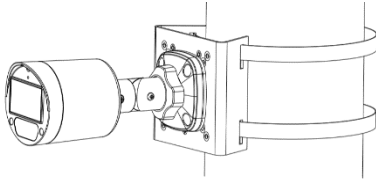
TR-UC08-C

Corner mount

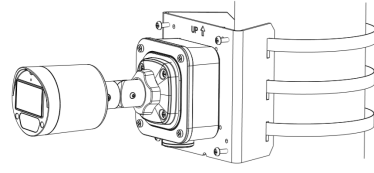


Mount

TR-UP06-B-IN



TR-JB05-A-IN+TR-UP06-C-IN



TR-JB05-A-IN+TR-UC08-C

