

2MP HD Fixed IR Mini Bullet Analog Camera

XB-200IR-28F



Introduction

XB-200IR-28F is a 2MP HD Fixed IR Mini Bullet Analog Camera with a high-performance 1/3-inch CMOS sensor. It supports TVI/AHD/CVI/CVBS, which effectively enhances product adaptability and diversity of networking solutions. With SYV-75-3 or other coaxial cable types the camera can achieve low-cost, long-distance, anti-interference, and low delay mega-pixel video transmission. The camera supports IR cut filter and provides color images at daytime and black/white images at night.

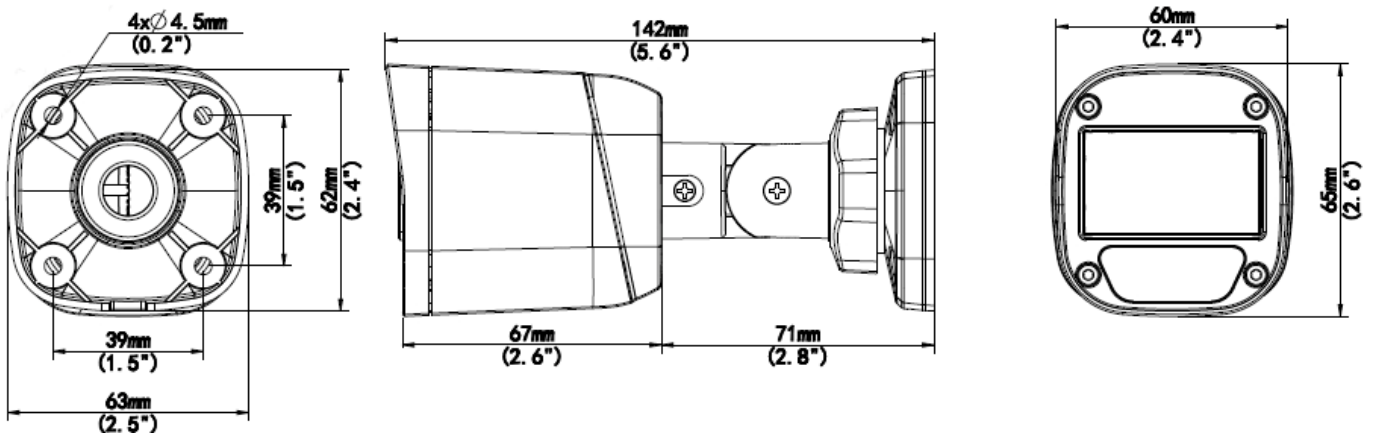
Features

- 2MP high quality image
- TVI/AHD/CVI/CVBS
- IR-cut filter with auto switch (ICR)
- Supports 180° horizontal flip, 180° vertical flip
- OSD configuration menu, easy to operate
- IP67 waterproof and dustproof design, high reliability
- OSD configuration menu in 11 languages

Specifications

Model	XB-200IR-28F
Sensor	
Pixel	2MP
Size	1/3"
Minimum illumination	0.02 lux (F2.0, AGC ON) 0.00 lux (IR on)
Lens	
Lens	2.8mm
Lens mount	M12
Angle of view	H: 90.5° V: 49.6°
Illuminator	
Illuminator	One IR illuminator
Illumination distance	20m
Lifetime	≥60,000 hours
Video	
Resolution	1080P: 1920(H)×1080(V) 720P: 1280(H) ×720(V)
Frame rate	TVI/AHD/CVI: 1080P@30fps, 1080P@25fps; 720P@30fps, 720P@25fps CVBS: PAL, NTSC
Shutter time	PAL: 1/25s-1/50000s NTSC: 1/30s-1/50000s
Image	
Exposure mode	4 modes: Global (default), BLC, HLC, DWDR
Day/Night	3 modes: Auto (default), Day, Night
Digital noise reduction	2D
White balance	Two modes: Auto (default), Manual
WDR	DWDR
Smart IR	Support
Flip	Supports 180° horizontal flip, 180° vertical flip
Interface	
Power	5.5x2.1mm power interface
Video output	BNC, supports TVI/AHD/CVI/CVBS
Operating environment	
Temperature	-30°C to +60°C
Humidity	≤95% (RH, non-condensing)
Surge protection	4KV
Ingress protection	IP67
General	
Power	DC 12V (±25%), with reverse polarity protection and surge protection, Max 240mA (2,88W)
Mount	3D bracket supplied, surface mount (default), optional backbox, pole mount bracket
Dimensions	142mm*63mm*65mm (L*W*H)
Material	Plastic
Weight	135g
Certification	CB, CE, FCC

Dimensions



Accessory Model	Image	Remarks
TR-JB05-A-IN		Bullet camera backbox (supports rear cabling, square)-97.5mm*93mm*43.1mm, sold separately
TR-UP06-B-IN		Bullet camera pole-mount bracket (white)-bullet camera-sheet metal, sold separately
TR-JB07-D-IN		Bullet camera backbox (supports rear cabling) --125mm*125mm*57mm, sold separately