

**Western Digital.**

**TECHNICAL REFERENCE MANUAL**

**WD Purple™ Hard Drive OEM Models Only:**

**WD62PURX-78B2MYx**

**WD62PURX-69B2MYx**

**WD62EVRX-52B2SYx**

**WD62EVRX-47B2SYx**

© 2020 Western Digital Corporation or its subsidiaries  
All Rights Reserved

Information furnished by WD is believed to be accurate and reliable. No license is granted by implication or otherwise under any patent or patent rights of WD. WD reserves the right to change specifications at any time without notice.

Western Digital, the Western Digital logo, CacheFlow, Data Lifeguard, FIT Lab, IntelliSeek, NoTouch, and WD Purple are registered trademarks or trademarks of Western Digital Corporation or its affiliates in the U.S. and/or other countries. All other marks are the property of their respective owners. Pictures shown may vary from actual products.

Western Digital  
5601 Great Oaks Parkway  
San Jose, CA 95119

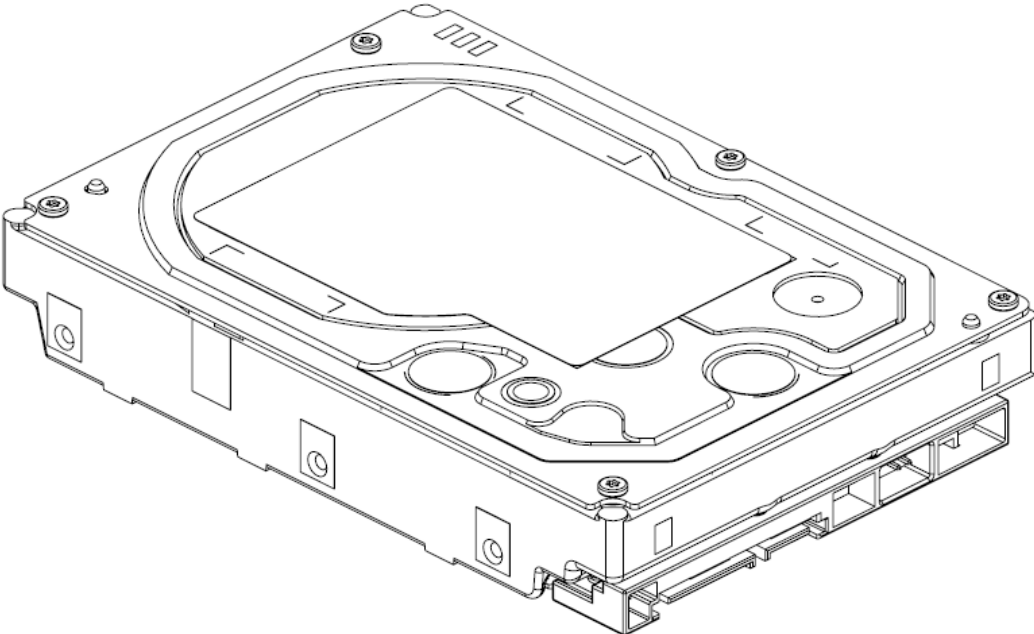
2679-810071-A00

Document Control Number Definition:

2679-8xxxx-Axx	Axx-Px	NRD
Doc Control No.	Doc Revision Level	Non-Released Document
	Axx = Released Version	
	Px = Review Cycle	

# WD Purple 1600L

## Technical Reference Manual



**TABLE OF CONTENTS**

<b>1. DESCRIPTION AND FEATURES .....</b>	<b>9</b>
1.1 General Description .....	9
1.2 Product Features .....	9
<b>2. SPECIFICATIONS .....</b>	<b>12</b>
2.1 Performance Specifications .....	12
2.2 Physical Specifications .....	12
2.2.1 Physical Dimensions .....	13
2.3 Mechanical Specifications .....	13
2.4 Electrical Specifications .....	14
2.4.1 Current Requirements and Power Dissipation .....	14
2.4.2 Input Voltage Requirements .....	14
2.4.3 Voltage Ripple .....	14
2.5 Environmental Specifications .....	15
2.5.1 Shock and Vibration .....	15
2.5.2 Temperature and Humidity .....	16
2.5.3 Thermocouple Location .....	16
2.5.4 Cooling .....	17
2.5.5 Atmospheric Pressure .....	17
2.5.6 Atmospheric Condition .....	17
2.5.7 Acoustics .....	18
2.5.8 RoHS (Restriction of Hazardous Substances) .....	18
2.6 Reliability Specification and Characteristics .....	18
2.7 Connectors and Cables .....	18
2.7.1 Serial ATA Connectors .....	18
2.7.2 Cabling Requirements for Serial ATA .....	18
2.8 Agency Approvals .....	19
2.9 Full Model Number Specification .....	19
<b>3. PRODUCT FEATURES .....</b>	<b>20</b>
3.1 SATA 6 Gb/s .....	21
3.2 AllFrame 4K™ Technology .....	21
3.3 Premium Protection .....	21
3.4 IntelliSeek .....	21
3.5 Dynamic Fly Height Control .....	21
3.6 Perpendicular Magnetic Recording (PMR) .....	22
3.7 NoTouch Ramp Load Technology .....	22
3.8 Dual Actuator Technology .....	22
3.9 Advanced Format (AF) .....	22
3.10 Native Command Queuing (NCQ) .....	22
3.11 Pre-emptive Wear Leveling (PWL) .....	23
3.12 S.M.A.R.T. Command Transport (SCT) .....	23
3.12.1 Write Same .....	23
3.12.2 Temperature Reporting .....	23
3.13 World Wide Name (WWN) .....	24
3.14 Reliability Features Set .....	24

## Table of Contents

3.14.1	Data Lifeguard™ .....	24
3.14.2	Thermal Management.....	24
3.14.3	Internal Environmental Protection System .....	25
3.14.4	Recoverable Errors .....	25
3.14.5	Self Test .....	25
3.14.6	ATA Error Logging .....	25
3.14.7	Defect Management .....	25
3.15	Automatic Defect Retirement .....	26
3.15.1	Error Recovery Process.....	26
3.16	Hot Plug Support.....	27
3.17	Active LED Status .....	27
3.18	Fluid Dynamic Bearings (FDB) .....	27
3.19	Staggered Spinup and Activity Indication (SATA Power Pin 11) .....	27
3.20	Power Management .....	28
3.21	Self-Monitoring, Analysis, and Reporting Technology (S.M.A.R.T.) .....	28
3.22	Security Mode .....	28
3.22.1	Master and User Passwords .....	28
3.22.2	Security Levels .....	29
<b>4.</b>	<b>ATA COMMAND SET .....</b>	<b>30</b>
4.1	Host Interface Commands.....	30
4.1.1	ATA Commands Set (ACS).....	30
4.1.2	SCT Commands.....	31
4.2	S.M.A.R.T. (B0h) .....	31
4.2.1	Read Data Sub-Command.....	32
4.2.2	Supported Attributes.....	33
4.2.3	Read Log Sector .....	34
4.3	Identify Device (ECh) .....	35
4.4	Set Features (EFh) .....	42
<b>5.</b>	<b>INSTALLATION AND SETUP PROCEDURES .....</b>	<b>43</b>
5.1	Unpacking .....	43
5.1.1	Handling Precautions .....	43
5.1.2	Inspection of Shipping Container .....	43
5.1.3	Removal From Shipping Container .....	43
5.1.4	Removal from Static Shielding Bag.....	44
5.1.5	Moving Precautions .....	44
5.2	Mounting .....	44
5.2.1	Mounting Restrictions.....	44
5.2.2	Orientation.....	44
5.2.3	Screw Size Limitations .....	44
5.2.4	Grounding .....	45
5.3	Hard Drive Installation.....	45
5.3.1	Attach the Power Supply Cable .....	45
5.3.2	Attach SATA Interface Cable.....	45
5.4	Serial ATA Latching Connector .....	46
<b>6.</b>	<b>MAINTENANCE .....</b>	<b>47</b>
<b>7.</b>	<b>TECHNICAL SUPPORT .....</b>	<b>48</b>

Table of Contents

7.1 WD Online Services..... 48

**8. THIRD-PARTY NOTICES..... 49**

8.1 LZHUF.C.....49

8.2 EfAesLib.....49

8.3 A portable, fast, and free implementation of the MD5 Message-Digest Algorithm (RFC 1321)...  
53

8.4 Embedded Template Library .....53

8.5 uTensor.....54

**9. GLOSSARY ..... 58**

**LIST OF FIGURES**

Figure 2-1 Mounting Dimensions ..... 13  
Figure 2-2 Drive Base Casting Thermocouple Location..... 16  
Figure 2-3 Forced Airflow Direction..... 17  
Figure 5-1 Connector Locations ..... 45  
Figure 5-2 SATA Interface Cable ..... 46

**LIST OF TABLES**

Table 2-1 Performance Specifications ..... 12

Table 2-2 Physical Specifications, ..... 12

Table 2-3 Physical Dimensions..... 13

Table 2-4 Current Requirements and Power Dissipation ..... 14

Table 2-5 Current Requirements and Power Dissipation ..... 14

Table 2-6 Voltage Ripple ..... 14

Table 2-7 Shock and Vibration..... 15

Table 2-8 Temperature and Humidity..... 16

Table 2-9 Thermocouple Location ..... 16

Table 2-10 Atmospheric Pressure ..... 17

Table 2-11 Acoustics..... 18

Table 2-12 Reliability Specification and Characteristics ..... 18

Table 2-13 Full Model Number Description..... 19

Table 4-1 ATA-8 Command Opcodes..... 30

Table 4-2 SCT Action Codes..... 31

Table 4-3 Definitions for the 512 Bytes ..... 32

Table 4-4 Supported Attributes ..... 33

Table 4-5 Log Address Definition ..... 34

Table 4-6 Identify Device Command ..... 35

Table 4-7 Set Features (EFh) ..... 42



## 1.0 DESCRIPTION AND FEATURES

### 1.1 General Description

WD Purple Surveillance Storage is built for 24/7 always-on surveillance in high-definition security systems that utilize higher hard drive bay counts. Exclusive AllFrame 4K™ technology works with ATA streaming to reduce error pixelation and video interruptions that occur when desktop hard drives are incorrectly used as storage in security systems.

### 1.2 Product Features

- **Serial ATA (SATA)** — Serial ATA (SATA) is the industry standard bus interface for hard drives. It offers many advantages including increased transfer rate, improved signal integrity, enhanced data protection, and hot plug support.
- **AllFrame 4K™ Technology** — All WD Purple™ drives are equipped with AllFrame 4K™ technology, which improves ATA streaming to help reduce frame loss, improve overall video playback, and increase the number of hard drive bays supported within a NVR. Help make your surveillance solution future-ready knowing that WD Purple™ drives are ready for ultra high definition cameras.
- **Premium Protection** — Designed with tarnish-resistant components, this WD Purple drive offers premium protection in harsh environments where surveillance systems may be installed.
- **IntelliSeek™** — Calculates optimum seek speeds to lower power consumption, noise, and vibration.
- **Dynamic Fly Height Control** — Designed to compensate for head/media separation changes due to temperature and altitude. This feature adds video quality margins across temperature and altitude changes.
- **Perpendicular Magnetic Recording (PMR)** — With PMR technology the magnetization of each data bit is aligned vertically to the spinning disk. This enables more data on a given disk and provides a platform for future expansion of hard drive densities.
- **NoTouch™ Ramp Load Technology** — The recording head never touches the disk media ensuring significantly less wear to the recording head and media as well as better drive protection in transit.
- **Dual Actuator Technology** — A head positioning system with dual-stage actuators that improves positioning accuracy over the data track(s). The primary stage provides course displacement; the secondary stage uses piezoelectric motion to fine tune the head positioning to a higher degree of precision.
- **Advanced Format (AF)** — Technology adopted by Western Digital and other drive manufacturers as one of multiple ways to continue growing hard drive capacities. AF is a more efficient media format that enables increased areal densities.
- **Native Command Queuing (NCQ)** — Performance of a random I/O workload can be improved through intelligent re-ordering of the I/O requests so they read/write to and from the nearest available sectors and minimize the need for additional disk revolutions or head actuator movement. This improvement can be achieved through Native Command Queuing (NCQ), which is supported by these hard drives.

- **Pre-emptive Wear Leveling (PWL)** — This Western Digital feature provides a solution for protecting the recording media against mechanical wear. In cases where the drive is so busy with incoming commands that it is forced to stay in a same cylinder position for a long time, the PWL control engine initiates forced seeks so that disk lubricant maintains an even distribution and does not become depleted. This feature ensures reliability for applications that perform a high incidence of read/write operations at the same physical location on the disk.
- **S.M.A.R.T. Command Transport (SCT)** — The SCT Command Transport feature set provides a method for a host to send commands and data to a device and for a device to send data and status to a host using log pages.
- **World Wide Name (WWN)** — The World Wide Name (WWN) defined in ATA/ ATAPI-7 is a modification of the IEEE extended unique identifier 64 bit standard (EUI-64) and is comprised of three major components: naming authority, organizationally unique identifier (OUI) and serial number. Western Digital's OUI is 0014EEh.
- **Reliability Features Set-Data Lifeguard™** — Representing Western Digital's ongoing commitment to data protection, Data Lifeguard includes features that enhance the drives ability to prevent data loss. Data Lifeguard data protection utilities include thermal management, an environmental protection system, and embedded error detection and repair features that automatically detect, isolate, and repair problem areas that may develop over the extended use of the hard drive. With these enhanced data reliability features, the drive can perform more accurate monitoring, error repair, and deliver exceptional data security.
- **Hot Plug Support** — SATA supports hot plugging (also known as "hot swapping"), the ability to swap out a failed hard drive without having to power down the system or reboot. This capability contributes to both data availability and serviceability without any associated downtime, making it a critical feature for extending SATA into enterprise applications.
- **Active LED Status** — The drive supports external LED requirements. It provides an activity LED output which is ON during command execution and OFF otherwise.
- **Fluid Dynamic Bearings (FDB)** — Bearing design that incorporates a layer of high-viscosity lubricant instead of ball bearings in the hard drive spindle motor. FDB designs provide increased non-operational shock resistance, speed control, and improved acoustics.
- **Staggered Spin-Up** — A feature that allows the system to control whether the drive will spin up immediately or wait until the interface is fully ready (available for specific OEM configurations).
- **Power Management** — The drive supports the ATA and SATA power management command set, allowing the host to reduce the power consumption of the drive by issuing a variety of power management commands.
- **Self-Monitoring, Analysis, and Reporting Technology (S.M.A.R.T.)** — S.M.A.R.T. enables a drive's internal status to be monitored through diagnostic commands at the host level and during offline activities. S.M.A.R.T. devices employ data analysis algorithms that are used to predict the likelihood of some near-term degradation or fault conditions. When used with a S.M.A.R.T. application, the drive can alert the host system of a negative reliability status condition. The host system can then warn the user of the impending risk of data loss and recommend an appropriate action.

## Description and Features

- **ATA Security** — The drive supports the ATA Security Mode Feature set. The ATA Security Mode feature set allows the user to create a device lock password that prevents unauthorized hard disk access even if the drive is removed from the host computer. The correct password must be supplied to the hard drive in order to access user data. Both the User and Master Password features are supported, along with the High and Maximum security modes. The Master Password Revision code is also supported. This feature varies by drive configuration and may not be available on all configurations.

## 2.0 SPECIFICATIONS

### 2.1 Performance Specifications

Table 2-1. Performance Specifications

Rotational Speed	5640 RPM
Data Transfer Rate <sup>1</sup> - Buffer to Host - Host to/from Drive	6 Gb/s maximum 185 MB/s sustained
Buffer Size	128 MB
Error Rate - Unrecoverable	<1 in 10 <sup>14</sup> bits read
Spindle Start Time - From Power-on to Drive Ready <sup>2</sup>	15s
Spindle Stop Time	<28s
Load/Unload Cycles <sup>3</sup>	300,000

<sup>1</sup> As used for buffer or cache, one megabyte (MB) = 1,048,576 bytes. As used for transfer rate or interface, megabyte per second (MB/s) = one million bytes per second, and gigabit per second (Gb/s) = one billion bits per second. Effective maximum SATA 3 Gb/s transfer rate calculated according to the Serial ATA specification published by the SATA-IO organization as of the date of this specification sheet. Visit [www.sata-io.org](http://www.sata-io.org) for details.

<sup>2</sup> Defined as the time from power-on to the setting of Drive Ready.

<sup>3</sup> Controlled unload at ambient condition.

### 2.2 Physical Specifications

Table 2-2. Physical Specifications<sup>1,2</sup>

Model Number	WD62xxxx
Capacity <sup>2</sup>	6TB
Interface	SATA 6 Gb/s
Number of Disks	4
Data Surfaces	8
Number of Heads	8
Physical bytes per sector	4096
Host bytes per sector	512
User Sectors per Drive	11,721,045,168
Servo Type	Embedded
Recording Method	LDPC-Low Density Parity Code

<sup>1</sup> Specifications represented are of a typical production drive and may be subject to change or variation without notice.

<sup>2</sup> As used for storage capacity, one megabyte (MB) = one million bytes, one gigabyte (GB) = one billion bytes, and one terabyte (TB) = one trillion bytes. Total accessible capacity varies depending on operating environment. As used for buffer or cache, one megabyte (MB) = 1,048,576 bytes. As used for transfer rate or interface, megabyte per second (MB/s) = one million bytes per second, and gigabit per second (Gb/s) = one billion bits per second. Effective maximum SATA 3 Gb/s transfer rate calculated according to the Serial ATA specification published by the SATA-IO organization as of the date of this specification sheet. Visit [www.sata-io.org](http://www.sata-io.org) for details.

# Specifications

## 2.2.1 Physical Dimensions

Table 2-3. Physical Dimensions

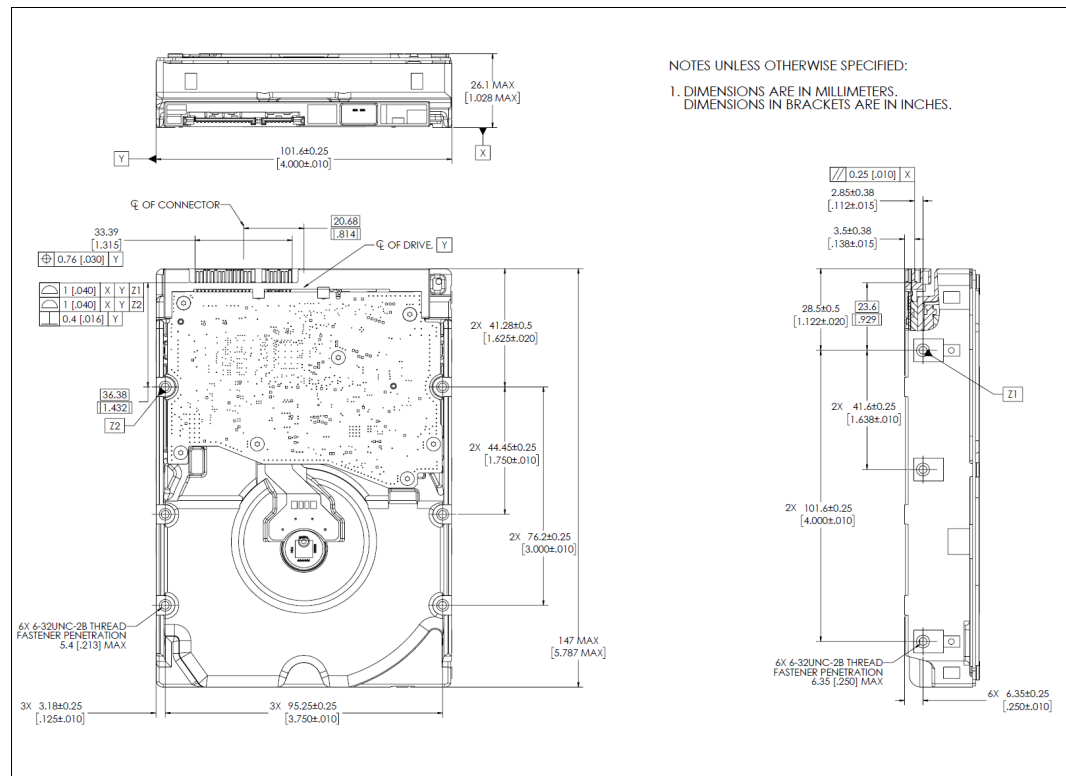
	English		Metric	
	Dimension	Tolerance	Dimension	Tolerance
Height	1.028 inches	MAX	26.1 mm	MAX
Length	5.787 inches	MAX	147.0 mm	MAX
Width	4.00 inches	±0.01 inch	101.6 mm	±0.25 mm
Weight	1.58 pounds	±10%	0.72 kg	±10%

## 2.3 Mechanical Specifications

Figure 2-1 shows the mounting dimensions and locations of the screw holes for the drive.

Note: Unless otherwise specified, all measurements are in millimeters.

Figure 2-1. Mounting Dimensions



## 2.4 Electrical Specifications

### 2.4.1 Current Requirements and Power Dissipation

All values are typical (25°C, 5.0V, and 12V input). 3.3V Serial ATA power not utilized in this product.

Table 2-4. Current Requirements and Power Dissipation

Operating Mode	Mean Current		Power, Average
	12 VDC	5 VDC	
Spinup (max)	1.75 A	-	-
Read/Write (avg)	290 mA	430 mA	5.6 W
Idle (avg)	270 mA	310 mA	4.8 W
Standby (avg)	8 mA	60 mA	0.4 W
Sleep (avg)	8 mA	60 mA	0.4 W

### 2.4.2 Input Voltage Requirements

The input voltage requirements are +5.0V ± 5% and +12.0V ± 10%.

Table 2-5. Current Requirements and Power Dissipation

Power Supply Voltage	Power Supply Tolerance	Ripple (Peak to Peak)	Ripple Freq Range
+5 Volts Supply	± 5%	100 mV	0 - 30 MHz
+12 Volts Supply	± 10%	200 mV	0 - 30 MHz

**CAUTION:** To avoid damage to the drive electronics, power supply voltage must not exceed specifications.

### 2.4.3 Voltage Ripple

Table 2-6. Voltage Ripple

	Maximum (mV pp)	MHz
+5V DC	100	0-30
+12V DC	200	0-30

## 2.5 Environmental Specifications

### 2.5.1 Shock and Vibration

Table 2-7. Shock and Vibration

<b>Shock</b>						
Operating	70G, 2 ms (read/write)					
Non-operating (2 ms)	250G					
<i>Note: Half-sine wave, measured without shock isolation and without non-recoverable errors.</i>						
<b>Vibration</b>						
Operating	Linear: 20-300 Hz, 0.75G (0 to peak) Random: 0.008 g <sup>2</sup> /Hz (10-300 Hz)					
Non-operating	Linear: 20-500 Hz, 4.0G (0 to peak) Random: 0.05 g <sup>2</sup> /Hz (10-300 Hz)					
Sweep Rate	0.5 octave/minute minimum					
<b>Rotational Vibration<sup>1</sup></b>						
12.5 rad/sec <sup>2</sup> based on the following PSD profile maintaining < 20% degradation:						
Frequency (Hz)	20	200	300	900	1400	1500
(Rad/sec <sup>2</sup> ) <sup>2</sup> /Hz	0.035	0.035	0.2	0.2	0.002	0.002
<b>Rotational Shock Non-Operating</b>						
Amplitude	20K rad/sec <sup>2</sup>					
Duration	2 ms					

<sup>1</sup> Rotational vibration spec is applicable to 4TB and 6TB only.

#### Operating Vibration

Drives are tested by applying a random excitation in each linear axis, one axis at a time. The drive incurs no physical damage and no hard errors while subjected to continuous vibration not exceeding the level listed in Table 2-7. Operating performance may degrade during periods of exposure to continuous vibration.

#### Non-Operating Vibration

*Note:* This specification applies to handling and transportation of unmounted drives.

Drives are tested by applying a random excitation in each linear axis, one axis at a time. The drive incurs no physical damage when subjected to continuous vibration not exceeding the level listed in Table 2-7.

#### Packaged Shock and Vibration

The shipping packaging is designed to meet the National/International Safe Transit Association (N/ISTA) standards for packaged products. The drive incurs no physical damage when subjected to the N/ISTA standards.

### 2.5.2 Temperature and Humidity

The system environment must allow sufficient air flow to limit maximum surface temperatures as defined. AFR can be affected by workload and operating temperature. See *Section 2.6 Reliability Specification and Characteristics on page 18* for further details.

Table 2-8. Temperature and Humidity

Temperature & Humidity	
Operation	
Min-Max Base Casting Temperature <sup>1</sup>	0°C to 65°C (32°F to 149°F)
Humidity	5-95% RH non-condensing 37.7°C (maximum wet bulb)
Thermal Gradient	20°C/hour (maximum)
Humidity Gradient	20%/hour (maximum)
Non-Operation	
Temperature	-40°C to 70°C on the base casting (-40°F to 158°F)
Humidity	5-95% RH non-condensing 40°C (maximum wet bulb)
Thermal Gradient	30°C/hour (maximum)
Humidity Gradient	20%/hour (maximum)

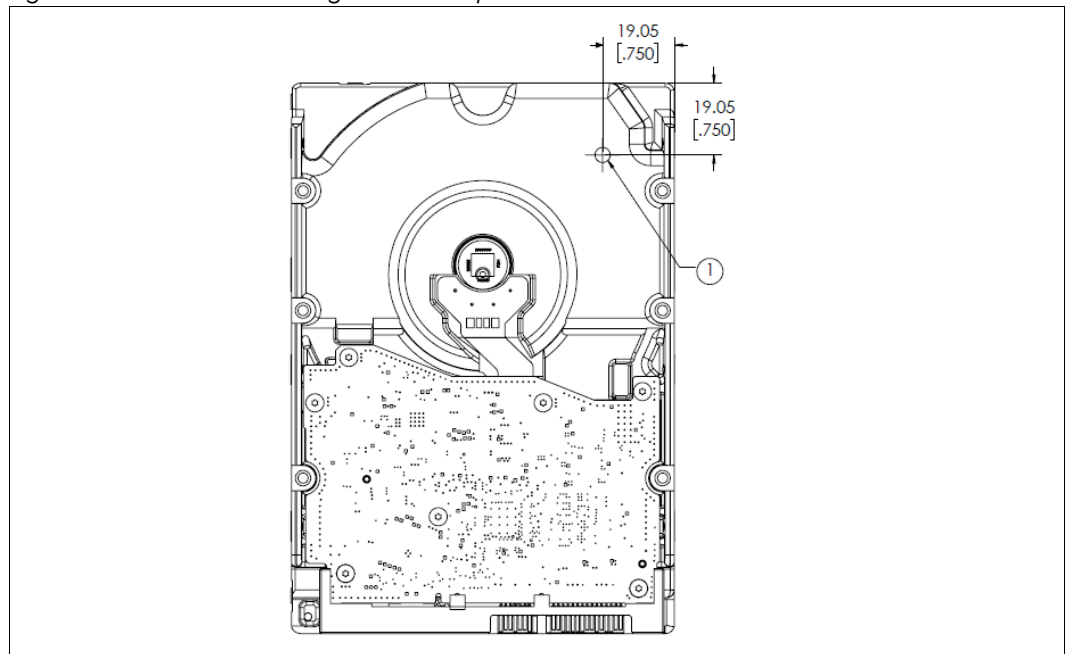
<sup>1</sup> Operating at elevated base casting temperatures will result in a higher AFR.

### 2.5.3 Thermocouple Location

Table 2-9. Thermocouple Location

Component	Location
Drive base casting	#1, Figure 2-2

Figure 2-2. Drive Base Casting Thermocouple Location

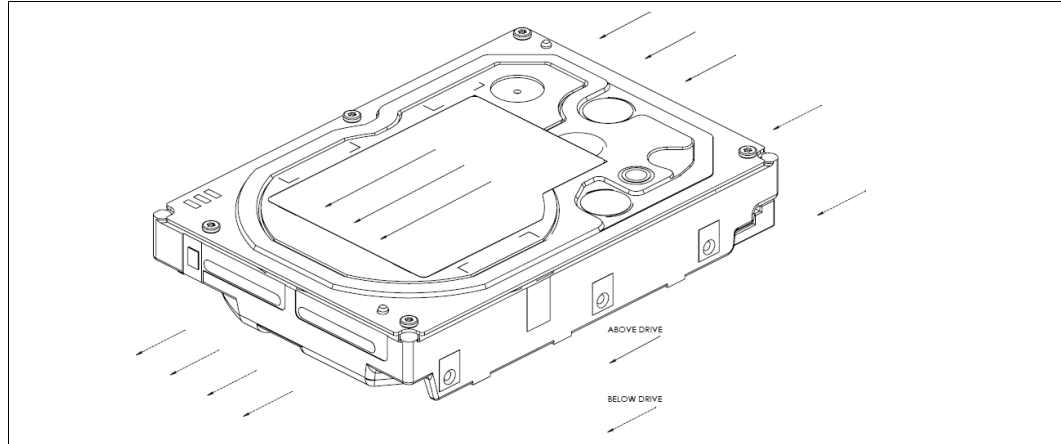




### 2.5.4 Cooling

If forced air cooling is required, the drive must be positioned to receive airflow from one or more fans as indicated in Figure 2-3.

Figure 2-3. Forced Airflow Direction



### 2.5.5 Atmospheric Pressure

Table 2-10. Atmospheric Pressure

Altitude	
Operating	-1,000 feet to 10,000 feet (-305M to 3,050M)
Non-operating	-1,000 feet to 40,000 feet (-305M to 12,200M)

### 2.5.6 Atmospheric Condition

Environments that contain elevated levels of corrosives (e.g., hydrogen sulfide, sulfur oxides, or hydrochloric acid, sulfurous gases, chlorine and nitric oxide) should be avoided and ideally kept below G2 severity level defined in ISA-71.04-1985. Care must be taken to avoid using any compound/material in a way that creates an elevated level of corrosive materials in the atmosphere surrounding the disk drive. Vulcanized rubber is an example of a material which may contain corrosive compound/materials.

Care must also be taken to avoid the use of any organometallic (e.g., organosilicones or organotins) compound/material in a way that creates elevated vapor levels of these compounds/materials in the atmosphere surrounding the disk drive.

Silicone based Thermal Interface Materials (TIM), silicone-based tapes, caulking/RTV pastes, silicone rubbers and silicone oil lubricants are examples of materials which may create elevated vapor levels of organometallic compound/materials.

Use of the disk drive in these abnormal or other chemically-challenging environments is not recommended and increases the risk for failure. If any of these materials are considered in system design, it is recommended to consult with Western Digital Corporation.

## 2.5.7 Acoustics

Table 2-11. Acoustics

TYPICAL SOUND POWER LEVEL <sup>1</sup>	
Idle Mode (average dBA) <sup>2</sup>	25
Seek Mode (average dBA)	29

<sup>1</sup> Measured per ECMA-74/ISO 7779.

<sup>2</sup> No audible pure tones.

## 2.5.8 RoHS (Restriction of Hazardous Substances)

WD complies with the Restriction of Hazardous Substances (RoHS) Directive 2011/65/EU of the European Parliament, which is effective in the EU beginning July 8, 2011. RoHS aims to protect human health and the environment by restricting the use of certain hazardous substances in new equipment, and consists of restrictions on lead, mercury, cadmium, and other substances.

## 2.6 Reliability Specification and Characteristics

The Mean Time Between Failures (MTBF) calculations assumes operation at nominal voltages, a base casting temperature of 40°C, and the workload usage of a typical surveillance environment. Workload is defined as the number of bytes transferred by the user to/from the drive. If the system(s) that the drive is installed in are not capable of meeting the characteristics listed below, please use a WD drive that matches your system(s)' capability. Operating drives outside any of the reliability characteristics below will result in a lower MTBF.

Table 2-12. Reliability Specification and Characteristics

Reliability Specification	
MTBF	1,000,000
Reliability Characteristics	
Base Casting Temperature	40°C
Annual Power on Hours (POH)	<=8760
Total Workload over the Limited Warranty Period <sup>1</sup>	<=180TB/Yr

<sup>1</sup> Annualized Workload Rate = TB transferred x (8760 / recorded power-on hours)

## 2.7 Connectors and Cables

### 2.7.1 Serial ATA Connectors

For information on SATA data connectors, including the pin definitions of the SATA connectors and the corresponding signal names and signal functions, refer to the latest SATA specification available for download at [www.serialata.org](http://www.serialata.org).

### 2.7.2 Cabling Requirements for Serial ATA

The SATA cable consists of four conductors in two differential pairs. The cable may also include drain wires to be terminated to the ground pins in the SATA cable receptacle connectors. See the SATA specification for cable specifications. The cable's maximum length is one meter.

## 2.8 Agency Approvals

**PR1600L Regulatory Number (R/N):** 810032

These drives meet the standards of the following regulatory agencies:

- **Federal Communication Commission:** Verified to comply with FCC Rules for Radiated and Conducted Emission, Part 15, Subpart B, for Class B Equipment.
- **Underwriters Laboratories:** Bi-National UL Standard CAN/CSA-C22.2 No. 60950/UL 60950-1. Standard for Safety of Information Technology Equipment, including Electrical Business Equipment.
- **TUV:** IEC 60950-1 per EN 60950-1, Standard for Safety of Information Technology Equipment, including Electrical Business Equipment.
- **CE Compliance for Europe Countries and Morocco:** Verified to comply with EN55032:2015 for RF Emissions and EN55024:1998, A1:2001 + A2:2003, EN61000-3-2:2000, EN61000-3-3:1995 + A1:2001 for Generic Immunity as applicable.
- **RCM Compliance for Australia and New Zealand:** Verified to comply with AS/NZ3548 for RF Emissions as required by the Australian Communications Authority.
- **Korean KC Mark:** Registered as a Class-B product with the South Korean Ministry of Information and Communication.
- **Taiwan BSMI ROHS Compliance:** Certified as a Class-B product with the Bureau of Standards Metrology and Inspection (BSMI ROHS).

## 2.9 Full Model Number Specification

Table 2-13 below provides a summary specification of the model number suffix for this product platform.

Table 2-13. Full Model Number Description

Model Number Format	ID	Product Brand	Description
WD62PURX-78B2MYx	B2M	WD Purple	PR1600L Surveillance 128MB SATA 6 Gb/s
WD62PURX-69B2MYx	B2M	WD Purple	PR1600L Surveillance 128MB SATA 6 Gb/s
WD62EVRX-52B2SYx	B2S	WD Purple	PR1600L Surveillance 128MB SATA 6 Gb/s
WD62EVRX-47B2SYx	B2S	WD Purple	PR1600L Surveillance 128MB SATA 3 Gb/s

### **3.0 PRODUCT FEATURES**

- SATA 6 Gb/s
- AllFrame 4K™ Technology
- Premium Protection
- IntelliSeek™
- Dynamic Fly Height Control
- Perpendicular Magnetic Recording (PMR)
- NoTouch™ Ramp Load Technology
- Dual Actuator Technology
- Advanced Format (AF)
- Native Command Queuing (NCQ)
- Pre-emptive Wear Leveling (PWL)
- S.M.A.R.T. Command Transport (SCT)
- World Wide Name (WWN)
- Reliability Features Set
- Hot Plug Support
- Active LED Status
- Fluid Dynamic Bearings (FDB)
- Staggered Spin-Up and Activity Indication (SATA Power Pin 11)
- Power Management
- Self-Monitoring, Analysis, and Reporting Technology (S.M.A.R.T.)
- Security Mode

### 3.1 SATA 6 Gb/s

SATA 6 Gb/s is the latest generation interface for SATA hard drives with the following features:

- **Native Command Queuing (NCQ)** — server feature for performance in random I/O transaction environments. It aggregates many small random data transfers and allows the disk to reorder the commands in a sequential order for faster access.
- **Improved Power Management**— provides improved power management features including Host Initiated SATA Power Management (HIPM) and Device Initiated SATA Power Management (DIPM).
- **Staggered Spin-up** — allows the system to control whether the drive will spin up immediately or wait until the interface is fully ready before spinning up.
- **Asynchronous Signal Recovery (ASR)** — robustness feature that improves signal recovery.
- **Enclosure Services** — defines external enclosure management and support features.
- **Backplane Interconnect** — defines how to lay out signal line traces in a backplane.
- **Auto-activate DMA** — provides increased command efficiency through automated activation of the DMA controller.

### 3.2 AllFrame 4K™ Technology

All WD Purple™ drives are equipped with AllFrame 4K™ technology, which improves ATA streaming to help reduce frame loss, improve overall video playback, and increase the number of hard drive bays supported within a NVR. Help make your surveillance solution future-ready knowing that WD Purple™ drives are ready for ultra high definition cameras.

### 3.3 Premium Protection

Designed with tarnish-resistant components, this WD Purple drive offers premium protection in harsh environments where surveillance systems may be installed.

### 3.4 IntelliSeek

Western Digital's unique IntelliSeek technology proactively calculates an optimum seek speed to eliminate hasty movement of the actuator that produces noise and requires power, which is common in other drives. With IntelliSeek, the actuator's movement is controlled so the head reaches the next target sector just in time to read the next piece of information, rather than rapidly accelerating and waiting for the drive rotation to catch up. This smooth motion reduces power usage by more than 60 percent compared with standard drives, as well as quiets seek operation and lowers vibration.

### 3.5 Dynamic Fly Height Control

This feature is designed to compensate for head/media separation changes due to temperature and altitude. It adds video quality margins across temperature and altitude changes.

### **3.6 Perpendicular Magnetic Recording (PMR)**

In perpendicular magnetic recording (PMR), the magnetization of each data bit is aligned vertically to the spinning disk, rather than longitudinally as has been the case in hard drive technology for decades.

In perpendicular recording, the adjacent bits attract instead of repel (as with bar magnets placed side by side), creating more thermally stable bits. In addition, the media contains a magnetically soft underlayer (SUL) beneath the recording layer. This SUL allows a larger effective write field, thus higher coercivity media, enabling further increases in density. Lastly, because of the vertical orientation of the bits, the PMR recording layer tends to be thicker than that used for longitudinal recording, providing increased signal for the read heads. All of these benefits enable WD engineers to reliably pack more data on a given disk than is possible with conventional longitudinal recording.

### **3.7 NoTouch Ramp Load Technology**

Parks the recording heads off the disk surface during spin up, spin down and when the drive is off. This ensures the recording head never touches the disk surface resulting in improved long term reliability due to less head wear, and improved non-operational shock tolerance.

### **3.8 Dual Actuator Technology**

A head positioning system with dual-stage actuators that improves positioning accuracy over the data track(s). The primary stage provides course displacement; the secondary stage uses piezoelectric motion to fine tune the head positioning to a higher degree of precision.

### **3.9 Advanced Format (AF)**

Advanced Format (AF) technology is adopted by Western Digital and other drive manufacturers as one of multiple ways to continue growing hard drive capacities. AF is a more efficient media format that enables increased areal densities.

In AF, each physical sector is composed of eight 512 byte logical sectors, totaling 4096 bytes.

### **3.10 Native Command Queuing (NCQ)**

These drives support Native Command Queuing. NCQ is a true Enterprise feature for environments such as database, Web servers, and e-mail servers.

Performance of a random I/O workload can be improved through intelligent re-ordering of the I/O requests so they read/write to and from the nearest available sectors and minimize the need for additional disk revolutions or head actuator movement. This improvement is achieved through Native Command Queuing (NCQ).

NCQ allows the drive to re-order read commands, thereby increasing random read IOPs. Additional NCQ features that can prove beneficial include a Write Cache disabled IOP increase and a queuing implementation built upon an existing, highly automated cache architecture. Queued reads in NCQ leverage the same re-ordering schemes used for write caching. The firmware design maintains the "order" of overlapping/colliding queued commands. NCQ is designed to excel in multi-threaded environments with high random I/O loads.

### 3.11 Pre-emptive Wear Leveling (PWL)

This Western Digital feature provides a solution for protecting the recording media against mechanical wear. In cases where the drive is so busy with incoming commands that it is forced to stay in a same cylinder position for a long time, the PWL control engine initiates forced seeks so that disk lubricant maintains an even distribution and does not become depleted. This feature ensures reliability for applications that perform a high incidence of read/write operations at the same physical location on the disk.

### 3.12 S.M.A.R.T. Command Transport (SCT)

The SCT Command Transport feature set provides a method for a host to send commands and data to a device and for a device to send data and status to a host using log pages. Standard ATA commands may be interspersed with SCT commands, but SCT commands cannot be nested. SCT commands that do not require a subsequent data transfer operation are not interspersed with any ATA commands or each other.

The SCT Command Transport feature set provides a method for a host to send commands and data to a device and for a device to send data and status to a host using log pages. This capability is used to pass commands through a driver interface or a bridge where new or unknown commands may be filtered and not passed to the drive. SCT is also used for issuing commands that require more than 8 parameter bytes. ATA8-ACS provides detailed information on the usage and capabilities of SCT. The SCT feature set includes the following commands:

- Write Same
- Temperature Reporting

#### 3.12.1 Write Same

The Write Same command allows the host to erase the media, or write a pattern repeatedly across the media, with a minimum of data transfer from the host. The host can clear the entire media to zeros or a specific pattern by sending this command with the pattern as a parameter—no data transfer is necessary. Write Same can write the entire media, or just a portion of the media. The host can monitor the progress of the Write Same by issuing SCT Status requests. This frees the host system to do other tasks while the media is being cleared.

#### 3.12.2 Temperature Reporting

The SCT Temperature Reporting (SCT TR) feature allows a host system to access temperature information in the drive. The S.M.A.R.T. temperature value is reported within  $\pm 3^{\circ}\text{C}$  of the base casting temperature. This information can be used to control fans or adjust the usage of various system components to keep the drive within its normal operating temperature. Applications include Enterprise, Laptop, Desktop and Consumer Electronics. SCT TR reports the maximum and minimum sustained operating limits, warning level limits, and drive damage limits. In addition to reporting the limits, SCT TR returns the current drive temperature (a temperature history which the host can use to predict heating or cooling trends) and the maximum temperature achieved during the lifetime of the drive as well as the highest temperature achieved since the power was applied to the drive. Detailed information on this capability can be found in ATA8-ACS.

### 3.13 World Wide Name (WWN)

It has become a critical requirement that hard drives be uniquely identified by computer systems. This allows a drive to maintain its identity as it is transported from system to system or placed on a network. IEEE has defined a format for serial numbers that is widely recognized in the computing industry by adding World Wide Name (WWN) to ATA/ATAPI-7 in 2002.

The World Wide Name (WWN) defined in ATA/ATAPI-7 is a modification of the IEEE Extended Unique Identifier 64 bit standard (EUI-64) and is comprised of three major components: naming authority, organizationally unique identifier (OUI) and serial number. Western Digital's OUI is 0014EEh.

### 3.14 Reliability Features Set

#### 3.14.1 Data Lifeguard™

Representing Western Digital's ongoing commitment to data protection, Data Lifeguard includes features that enhance the drives ability to prevent data loss. Data Lifeguard data protection features include thermal management, an environmental protection system, and embedded error detection and repair features that automatically detect, isolate, and repair problem areas that may develop over the extended use of the hard drive. With these enhanced data reliability features, the drive can perform more accurate monitoring, error repair, and deliver exceptional data security.

All Western Digital drives are defect-free and low-level formatted at the factory. After prolonged use, any drive, including a Western Digital drive, may develop defects.

**CAUTION:** As with all format utilities, some options in the Data Lifeguard Diagnostics utility will overwrite user data.

Download the latest versions of the Data Lifeguard Diagnostic and Data Lifeguard Tools programs at [support.wdc.com](http://support.wdc.com).

#### 3.14.2 Thermal Management

The drive is designed with Thermal Management features for high reliability.

- **State-of-the-Art Mechanical Design**—Mechanical design is optimized to reduce the drive's temperature. State-of-the-art thermal dissipation and windage design is employed.
- **Closed Loop Servo Management**—Thermal management monitors the drive temperature and can control servo operations to maintain a stable operating temperature under high temperature conditions. This is a closed loop servo and thermal control system.
- **S.M.A.R.T. HDA Temperature Attribute**—The S.M.A.R.T. HDA Temperature Attribute is supported. The S.M.A.R.T. temperature value is reported within  $\pm 3^{\circ}\text{C}$  of the base casting temperature.
- **Ducted Airflow**—Provides protection to the Read/Write element from heated air.



### 3.14.3 Internal Environmental Protection System

This dual filter system protects the inside environment of the drive from contamination. System features include:

- Dual Filtration System to ensure fast clean-up times
- Directed airflow to maximize mechanical cooling
- Increase casting surface area to maximize cooling
- Ducted air flow to protect Read Rite elements from heated air
- Enhanced heat dissipation

### 3.14.4 Recoverable Errors

A sector marked for repair is written back to the same location. The sector is then read several times to be sure that it was written correctly and that there is no media damage at its location (sector test). If the sector does not easily and consistently read correctly, the sector is then relocated with original data.

### 3.14.5 Self Test

Self Test is a quick way to determine the operation status of a drive. The following Self Tests are supported:

- **Quick Test:** Completes in less than two minutes.
- **Extended Test:** Tests all the critical subsystems of the drive.
- **Conveyance Test:** Quickly identifies issues caused by handling damage.
- **Selective Test:** Scans host-defined sections of the drive.

The test may be run to completion or be performed as a background task as the drive processes other commands from the host. The host may then poll the drive for runtime status and test results. Since the test is embedded in the drive's firmware, it is always available, requires no installation and can be faster and more effective than a software-based drive test.

### 3.14.6 ATA Error Logging

ATA Error Logging provides an industry standard means to record error events and supporting information that is then accessible by the host. The event record includes the exact command that caused the failure, the response of the drive, the time of the event and information about the four commands immediately prior to the errant command. Error Logging can reliably and quickly determine whether a system problem is the result of a hard drive failure or other component malfunction. Error Logging retains total error count for the life of the drive and complete records for the last five errors.

### 3.14.7 Defect Management

Every Western Digital drive undergoes factory-level intelligent burn in, which thoroughly tests for and maps out defective sectors on the media before the drive leaves the manufacturing facility. Following the factory tests, a primary defect list is created. The list contains the cylinder, head, and sector numbers for all defects.

Defects managed at the factory are sector slipped. Grown defects that can occur in the field are mapped out by relocation to spare sectors on the inner cylinders of the drive.

### 3.15 Automatic Defect Retirement

The automatic defect retirement feature automatically maps out defective sectors while reading or writing. If a defective sector appears, the drive finds a spare sector.

The following item is specific to automatic defect retirement on writes (write auto-relocation):

- Data is always written to disk (using automatic defect retirement if required) and no error is reported.

The following item is specific to automatic defect retirement on reads (read auto-relocation):

- When host retries are enabled, the drive will internally flag any unrecoverable errors (DAMNF or ECC). This flagging allows subsequent write commands to this location to relocate the sector only if the sector test fails.

#### 3.15.1 Error Recovery Process

The drive has five means of error recovery:

- ECC On-the-Fly
- Preamp Thermal Asperity (TA) Compensation
- Read/Write Retry Procedure
- Extended Read Retry Procedure

**ECC On-the-Fly** – If an ECC error occurs, the drive attempts to correct it on-the-fly without retries. Data can be corrected in this manner without performance penalty. The details of the correction algorithm appear in the next section.

**Preamp Thermal Asperity Compensation** – A Thermal Asperity (TA) is a baseline shift in the readback signal due to heating of the magnetoresistive stripe on the head as a result of physical contact with the disk or a particle. The preamp circuit has the ability to detect and compensate for thermal asperities. When an error cannot be corrected by ECC On-the-Fly, another retry is performed, where the preamp with its thermal asperity detection feature determines if the error is due to a thermal asperity. Once the preamp determines that the error is due to thermal asperity, preamp compensation is enabled. If preamp compensation alone is not enough to recover, then the channel performs a series of TA-specific recoveries.

**Read/Write Retry Procedure** – This retry procedure is used by all disk controller error types. If the procedure succeeds in reading or writing the sector being tried, then recovery is complete and the controller continues with the command. Each retry operation also checks for servo errors. The procedure ends when error recovery is achieved or when all possible retries have been attempted.

**Extended Read Retry Procedure** – This retry procedure tries combinations of positive/negative track offsets and data DAC manipulations to recover the data. This retry procedure applies only to read data recovery. The Read/Write Retry procedure performs the actual retry operation.

When an extended retry operation is successful, the controller continues with the command. The controller clears any changes in track offset or data DAC settings before the command continues.

### 3.16 Hot Plug Support

SATA supports hot plugging (also known as "hot swapping"), the ability to swap out a failed hard drive without having to power down the system or reboot. This capability contributes to both data availability and serviceability without any associated downtime, making it a critical feature for extending SATA into enterprise applications.

These Western Digital hard drives support hot plugging only in systems where a SATA hard drive storage backplane is used.

The Serial ATA revision 2.5 specification requires staggered pins for both the hard drive and drive receptacles. Staggered pins mate the power signals in the appropriate sequences required for powering up the hot plugged device. These pins are also specified to handle in excess of the maximum allowed inrush current that occurs during drive insertion. SATA-compliant devices thus need no further modification to be hot pluggable and provide the necessary building blocks for a robust hot plug solution, which typically includes:

- Device detection even with power downed receptacles (typical of server applications).
- Pre-charging resistors to passively limit inrush current during drive insertion.
- Hot plug controllers to actively limit inrush current during drive insertion.

### 3.17 Active LED Status

The drive supports external LED requirements. It provides an activity LED pin which is ON during command execution and OFF otherwise.

The drive strength of this open drain drive active signal is that it can sink 12mA to 0.4V Max. It is 5V tolerant, meaning that the external LED may be driven from +5V or +3.3V so long as the Host system provides a series resistor to limit the LED current to the lower of 12mA or the rated operating current of the LED. As an example with +5V and a 2 volt forward drop across a 10mA LED, a 300 Ohm 5% 1/16W resistor would be suitable. In the case of a 3.3V supply for the same LED, the resistor would be 130 Ohm 5% 1/16W.

The pin corresponding to P11 shall be used for Active LED (see *Section 2.7 Connectors and Cables on page 18*).

### 3.18 Fluid Dynamic Bearings (FDB)

Bearing design that incorporates a layer of high-viscosity lubricant instead of ball bearings in the hard drive spindle motor. As an alternative to conventional ball bearing technology, FDB designs provide increased non-operational shock resistance, speed control, and improved acoustics.

### 3.19 Staggered Spinup and Activity Indication (SATA Power Pin 11)

*Note:* This feature is available for specific OEM configurations.

SATA device power connector pin 11 is defined as a means by the host to DISABLE staggered spinup and it may also be used by the device to provide the host with an activity indication. According to the SATA specification, "Staggered Spin-up Disable and Activity Signal shall not be enabled at the same time."

### 3.20 Power Management

This drive supports the ATA power management commands that lower the average power consumption of the hard drives. For example, to take advantage of the lower power consumption modes of the drive, an energy efficient host system could implement a power management scheme that issues a Standby Immediate command when a host resident disk inactivity timer expires. The Standby Immediate command causes the drive to spin down and enter a low-power mode. Subsequent disk access commands would cause the drive to spin up and execute the new command. To avoid excessive wear on the drive due to the starting and stopping of the HDA, set the host's disk inactivity timer to no shorter than ten minutes.

The drive also supports the SATA power management feature that lowers the average power consumption of the SATA interface.

### 3.21 Self-Monitoring, Analysis, and Reporting Technology (S.M.A.R.T.)

S.M.A.R.T. helps you monitor a drive's internal status through diagnostic commands at the host level.

The drive monitors Read Error Rate, Start/Stop Count, Re-allocated Sector Count, Seek Error Rate, Power-on Hours Count, Spin-up Retry Count, Drive Calibration Retry Count, Drive Power Cycle Count, Offline Scan Uncorrectable Sector Count, Ultra ATA CRC Error Rate, Multi-zone Error Rate, Spin-up Time, Relocation Event Count, and Current Pending Sector Count. The hard drive updates and stores these attributes in the reserved area of the disk. The drive also stores a set of attribute thresholds that correspond to the calculated attribute values. Each attribute threshold indicates the point at which its corresponding attribute value achieves a negative reliability status.

### 3.22 Security Mode

The Security Mode feature set allows the user to create a device lock password that prevents unauthorized hard drive access even if the drive is removed from the computer. This feature varies by drive configuration and may not be available on all configurations.

#### 3.22.1 Master and User Passwords

The manufacturer/dealer can set a master password using the Security Set Password command, without enabling the device lock function. The user password should be given or changed by a system user.

Master Password Identifier is supported and set to a default value of 00FE. If a Master Password is set via a Security Set Password Command, a valid Master Password Revision code value of 0001h – FFEh must be used. A Master Password Identifier of 0000h is ignored.

When the master password is set, the drive does not enable the device lock function. When the user password is set, the drive enables the device lock function, and the drive is locked after the next power on reset or hard reset.

### 3.22.2 Security Levels

**High** - If High level security is set and the user password is forgotten, the master password can be used to unlock the drive and access the data.

**Maximum** - If Maximum level security is set and the user password is forgotten, data access is impossible. Only the master password with a Security Erase Unit command can unlock the drive when the device lock function is enabled and the user password has been forgotten. When the Security Erase Unit command is used to unlock the drive, all user data is erased.

## 4.0 ATA COMMAND SET

### 4.1 Host Interface Commands

#### 4.1.1 ATA Commands Set (ACS)

Table 4-1 lists the hexadecimal codes specific to each ACS command supported by these hard drives. Refer to the ACS specification for full details on each command.

Table 4-1. ATA-8 Command Opcodes

COMMAND	HEX OPCODE
CHECK POWER MODE	E5
DOWNLOAD MICROCODE	92
EXECUTE DEVICE DIAGNOSTIC	90
FLUSH CACHE	E7
FLUSH CACHE EXT	EA
IDENTIFY DEVICE	EC
IDLE	E3
IDLE IMMEDIATE	E1
NOP	00
READ BUFFER	E4
READ DMA	C8
READ DMA EXT	25
READ FPDMA QUEUED	60
READ LOG EXT	2F
READ LOG DMA EXT	47
READ MULTIPLE	C4
READ MULTIPLE EXT	29
READ SECTOR(S)	20
READ SECTORS(S) EXT	24
READ VERIFY SECTOR(S) EXT	42
READ VERIFY SECTORS(S)	40
S.M.A.R.T.	B0
SECURITY DISABLE PASSWORD	F6
SECURITY ERASE PREPARE	F3
SECURITY ERASE UNIT	F4
SECURITY FREEZE LOCK	F5
SECURITY SET PASSWORD	F1
SECURITY UNLOCK	F2
SET FEATURES	EF
SET MULTIPLE	C6
SLEEP	E6
STANDBY	E2
STANDBY IMMEDIATE	E0
WRITE BUFFER	E8
WRITE DMA	CA
WRITE DMA EXT	35
WRITE FPDMA QUEUED	61
WRITE LOG EXT	3F
WRITE LOG DMA EXT	57
WRITE MULTIPLE	C5
WRITE MULTIPLE EXT	39
WRITE SECTOR(S)	30
WRITE SECTOR(S) EXT	34

### 4.1.2 SCT Commands

SCT commands provide capabilities for commands that do not fit the ATA command delivery model. Some SCT commands report completion when the command begins execution. Execution progress for these commands may be checked by requesting SCT status. For instance, the host can track the progress of a Write Same command by issuing a status request once per minute. See ACS for a full description of SCT.

Table 4-2. SCT Action Codes

ACTION CODE	DESCRIPTION
0000h	RESERVED
0002h	Write Same
0003h	SCT Error Recovery Control
0004h	Features Control
0005h	SCT Data Tables

## 4.2 S.M.A.R.T. (B0h)

The S.M.A.R.T. command provides access to attribute values, S.M.A.R.T. status, and other S.M.A.R.T. information. These commands can be used for logging and reporting purposes, and for accommodating special user needs.

Prior to writing the S.M.A.R.T. command to the Command Register, the host must write key values into the LBA Mid and LBA High Registers (4Fh, C2h) or the command will be aborted and an error will be reported.

The S.M.A.R.T. command has several sub-commands that are selectable via the Features Register when the host issues the S.M.A.R.T. command. To select a sub-command, the host must write the appropriate sub-command code to the Features Register before issuing the S.M.A.R.T. command. The sub-commands and their respective codes are listed below. For more detailed information on executing S.M.A.R.T. commands, see the ACS specification.

## 4.2.1 Read Data Sub-Command

This command returns a sector of data with the drives S.M.A.R.T. data structure.

Table 4-3. Definitions for the 512 Bytes

BYTE	VALUE	DESCRIPTION
0 - 1	0001h	S.M.A.R.T. Data Structure Revision
2 - 361	XX	S.M.A.R.T. Attribute Data
135 - 361	XX	S.M.A.R.T. Attribute Data
362	XX	Offline data collection status 0Xh OL disabled 8Xh OL enabled X0h scan not run X2h scan complete X4h scan suspended X5h scan aborted
363	XX	Self-Test execution status byte. 00h The previous self-test routine completed without error or no self-test has ever been run 01h The self-test routine was aborted by the host 02h The self-test routine was interrupted by the host with a hard or soft reset 03h A fatal error or unknown test error occurred while the device was executing its self-test routine. The device was unable to complete the self-test routine. 04h The previous self-test completed having a test element that failed. The test element that failed is not known. 05h The previous self-test completed having a test element that failed. The electrical element of the test failed. 06h The previous self-test completed having a test element that failed. The servo (and/or seek) test element of the test failed. 07h The previous self-test completed having a test element that failed. The read element of the test failed. 08h The previous self-test completed having a test element that failed. The element damage is suspected to be caused by handling. 09-0Eh Reserved 0Fh Self-test routine in progress
364 - 365	XX	Total time in seconds to complete offline data collection activity
366	XX	Reserved
367	11h	Offline data collection capability. Bits are as follows: 0 1 = Offline Immediate Command supported 1 1 = Auto Offline enable\disable command supported 2 0 = Offline will suspend on and will resume after host command 3 1 = Offline read scan implemented 4 1 = DST Short and Extended tests supported 6-7 0 - Reserved
368 - 369	0003h	S.M.A.R.T. Capability. Bits are as follows: 0 1 = The device saves SMART data prior to going into a power saving mode 1 1 = Device complies with SMART data autosave after an event 2-15 Reserved
370	01h	Error logging capability. Bits are as follows: 0 1 = Error logging supported 1 Reserved
371	XX	Reserved
372	XX	Short self-test routine completion time in minutes
373	XX	Extended self-test routine completion time in minutes
375 - 510	XX	Reserved
511	XX	Checksum



## 4.2.2 Supported Attributes

The drive supports the following attributes.

Table 4-4. Supported Attributes

Attribute	Attribute ID Number	Pre-Failure/Advisory Bit (Status Flags bit 0) <sup>1</sup>
Read Error Rate	1	Pre-Failure
Spin-up Time	3	Pre-Failure
Start/Stop Count	4	Advisory
Re-allocated Sector Count	5	Pre-Failure
Seek Error Rate	7	Advisory
Power-on Hours Count	9	Advisory
Spin-up Retry Count	10	Advisory
Drive Calibration Retry Count	11	Advisory
Drive Power Cycle Count	12	Advisory
Emergency Retract Cycles	192	Advisory
Load/Unload Cycles	193	Advisory
HDA Temperature	194	Advisory
Relocation Event Count	196	Advisory
Current Pending Sector Count	197	Advisory
Offline Scan Uncorrectable Sector Count	198	Advisory
Ultra ATA CRC Error Rate	199	Advisory
Multi-zone Error Rate	200	Advisory

<sup>1</sup> Status bits are typical but may vary.

Attributes that use the Pre-Failure/Advisory Bit Set can predict potential future degrading or faulty conditions. Attributes with the Failure/Advisory Bit Clear are used for informational purposes only, they do not indicate impending drive failure.

The S.M.A.R.T. data saving process is a background task. After a pre-determined idle period, the self-monitoring data is automatically saved to the disk.

### 4.2.3 Read Log Sector

There are several logs that can be read with the S.M.A.R.T. Read Log Sector sub-command. The LBA Low Register indicates the log sector to be returned.

Table 4-5. Log Address Definition

Log Address	Log Name	Feature Set	R/W	Access
00h	Log directory	ExtLog	RO	GPL, SL
01h	Summary Log	SMART	RO	SL
02h	Comprehensive SMART error log	SMART	RO	SL
03h	Extended Comprehensive SMART error log	ExtLog	RO	GPL
04h	Device Statistics	N/A	RO	GPL, SL
05h	Reserved	Reserved	Reserved	
06h	SMART self-test log	SMART	RO	SL
07h	Extended SMART self-test log	ExtLog	RO	GPL
08h	Reserved	Reserved	Reserved	
09h	Selective self-test log	SMART	R/W	SL
0Ah-0Fh	Reserved	N/A	Reserved	
10h	NCQ Command Error	NCQ	RO	GPL
11h	SATA PHY Counters	ExtLog	RO	GPL
12h-17h	Reserved for Serial ATA	N/A	Reserved	
18h-1Fh	Reserved	N/A	Reserved	
20h	Obsolete			
23h	Obsolete			
24h-7Fh	Reserved	N/A	Reserved	
80h-9Fh	Host vendor specific	SMART / ExtLog	R/W	GPL, SL
A0h-BFh	Device vendor specific	SMART / ExtLog	VS	GPL, SL
C0h-EFh	Reserved	Reserved	Reserved	
E0h	SCT Command/Status	N/A	R/W	GPL, SL
E1h	SCT Data Transfer			GPL, SL
E2h-FFh	Reserved	Reserved	Reserved	

RO – Read Only  
R/W – Read / Write  
SMART – Supported by B0h command code.  
ExtLog – Supported by 2Fh/3Fh command code.  
VS – Vendor Specific  
SCT – SMART Command Transport

### 4.3 Identify Device (ECh)

The Identify Device command transfers 512 bytes of data that specify the drives parameters. Table 4-6 lists the parameters read by the host.

Table 4-6. Identify Device Command

WORD	FIELD DESCRIPTION	VALUE
0	General Configuration	427Ah
1	Obsolete	3FFFh
2	Specific Configuration	XXXX
3	Obsolete	0010h
4-5	Retired	0
6	Obsolete	003Fh
7-8	Reserved for assignment by the CompactFlash™ Association	0
9	Retired	0
10-19	Serial Number (ATA String)	WDnnnnnnnn
20-21	Retired	0
22	Obsolete	0
23-26	Firmware Revision (ATA String)	nnnn
27-46	Model Numbers (ATA String)	WDC WD62xxxx-nnnnnnn
47	READ/WRITE MULTIPLE support Bit 15-8: 80h Bit 7-0: 00h: Reserved 01h-FFh = Maximum number of logical sectors that shall be transferred per DRQ data block on READ/WRITE MULTIPLE commands	8010h
48	Trusted Computing feature set options Bit 15: Shall be cleared to zero Bit 14: Shall be set to one Bit 13-1: Reserved for the Trusted Computing Group Bit 0: If set, Trusted Computing feature set is supported	4000h
49	Capabilities Bit 15-14: Reserved for the IDENTIFY PACKET DEVICE command. Bit 13: If set, Standby timer values as specified in this standard are supported. 0 = Standby timer values shall be managed by the device Bit 12: Reserved for the IDENTIFY PACKET DEVICE command Bit 11: If set, IORDY supported Bit 10: If set, IORDY may be disabled Bit 9: If set, LBA supported Bit 8: If set, DMA supported Bit 7-2: Reserved Bit 1: Current Long Physical Alignment Setting	2F00h
50	Capabilities Bit 15: Shall be cleared to zero. Bit 14: Shall be set to one. Bit 13-2: Reserved. Bit 1: Obsolete Bit 0: Shall be set to one to indicate a device specific Standby timer value minimum	4001h
51-52	Obsolete	0
53	Additional Words Valid Bit 8-15: Free-fall Control Sensitivity 00h = Vendor's recommended setting 01h-FFh = Sensitivity level. A larger number is a more sensitive setting. Bit 7-3: Reserved Bit 2: If set, the fields reported in word 88 are valid Bit 1: If set, the fields reported in words 70-64 are valid Bit 0: Obsolete	0006h
54-58	Obsolete	xx

ATA Command Set

Table 4-6. Identify Device Command (Continued)

WORD	FIELD DESCRIPTION	VALUE
59	Current Blocking Factor Bit 15: 1=The BLOCK ERASE EXT command is supported Bit 14: 1= The OVERWRITE EXT command is supported Bit 13: 1=The CRYPTO Scramble EXT command is supported Bit 12: 1=The Sanitize feature set is supported Bit 9-11 Reserved Bit 8: 1=Multiple local sector setting is valid Bit 0-7: Current setting for number of logical sectors that shall be transferred per DRQ data block on READ/WRITE Multiple commands	XXh
60-61	Total number of user addressable logical sectors for 28 bit commands (DWord)	0FFFFFFh
62	Obsolete	0
63	Multi-Word DMA Transfer Mode Supported Bit 15-11: Reserved Bit 10: If set, Multiword DMA mode 2 is selected Bit 9: If set, Multiword DMA mode 1 is selected Bit 8: If set, Multiword DMA mode 0 is selected Bit 7-3: Reserved Bit 2: If set, Multiword DMA mode 2 Bit 1: If set, Multiword DMA mode 1 Bit 0: If set, Multiword DMA mode 0	XX07h
64	Advanced PIO Modes Supported Bits 0-7: PIO Modes supported	0003h
65	Min. Multi-Word DMA Transfer Cycle Time (ns) Bit 15-0: Cycle time in nanoseconds	0078h
66	Manufacturer Recommended Multi-Word DMA Cycle Time Bit 15-0: Cycle time in nanoseconds	0078h
67	Min. PIO Transfer Cycle Time without flow control Bit 15-0: Cycle time in nanoseconds	0078h
68	Min. PIO Transfer Cycle Time with IORDY flow control Bit 15-0: Cycle time in nanoseconds	0078h
69	Additional Supported Bit 15: If set, CFast Specification Support Bit 14: If set, Deterministic data in trimmed LBA range(s) is supported Bit 13: If set, Long Physical Sector Alignment Error Reporting Control is supported Bit 12: If set, DEVICE CONFIGURATION IDENTIFY DMA and DEVICE CONFIGURATION SET DMA are supported Bit 11: If set, READ BUFFER DMA is supported Bit 10: If set, WRITE BUFFER DMA is supported Bit 9: If set, SET MAX SET PASSWORD DMA and SET MAX UNLOCK DMA are supported Bit 8: If set, DOWNLOAD MICROCODE Bit 6: If set, Optional ATA device 28-bit commands supported ODE DMA is supported Bit 7: If set, Reserved for IEEE 1667 Bit 5: If set, Trimmed LBA range(s) returning zeroed data is supported Bit 4: If set, Device Encrypts All User Data Bit 3: If set, Extended Number of User Addressable Sectors is supported Bit 2-0: Reserved	0D00h
70	Reserved	0
71-74	Reserved for the Identify Packet Device command	0
75	Queue Depth Bit 15-5: Reserved Bit 4-0: Maximum queue depth - 1	001Fh

ATA Command Set

Table 4-6. Identify Device Command (Continued)

WORD	FIELD DESCRIPTION	VALUE
76	Serial ATA Capabilities Bit 15-13: Reserved Bit 12: Supports Native Command Queuing priority information Bit 11: Supports Unload while NCQ commands outstanding Bit 10: Supports Phy event counters Bit 9: Supports receipt of host-initiated interface power management requests Bit 8: Supports Native Command Queuing (NCQ) Bit 7-3: Reserved for future Serial ATA signaling speed grades Bit 2: 1= Supports Serial ATA Gen2 signaling speed (3 Gb/s) Bit 1: 1= Supports Serial ATA Gen1 signaling speed (1.5 Gb/s) Bit 0: Shall be cleared to zero	9F0Eh
77	Reserved for Serial ATA	0006h
78	Serial ATA Features Supported Bit 7-15: Reserved for Serial ATA Bit 6: If set, device supports software settings preservation Bit 5: Reserved for Serial ATA Bit 4: If set, device supports in-order data delivery Bit 3: If set, device supports initiating power management Bit 2: If set, device supports DMA Setup Auto-activation Bit 1: If set, device supports non-zero buffer offsets Bit 0: Cleared to zero	004Ch
79	Serial ATA Features Enabled Bits 7-15: Reserved for Serial ATA Bit 6: If set, software settings preservation enabled Bit 5: Reserved for Serial ATA Bit 4: If set, In-order data delivery enabled Bit 3: If set, device initiated power management enabled Bit 2: If set, DMA Setup Auto-activation enabled Bit 1: If set, non-zero buffer offsets enabled Bit 0: Cleared to zero	0000 0000 0X0X XXX0b
80	Major Version Number Bit 15-11: Reserved Bit 10: if set, supports ACS-3 Bit 9: if set, supports ACS-2 Bit 8: if set, supports ATA8-ACS Bit 7: if set, supports ATA/ATAPI-7 Bit 6: if set, supports ATA/ATAPI-6 Bit 5: if set, supports ATA/ATAPI-5 Bit 4 -1: Obsolete Bit 0: Reserved	07FEh
81	Minor Version Number	006Dh
82	Command and feature sets supported Bit 14: If set, NOP command supported Bit 13: If set, Read buffer command supported Bit 12: If set, Write buffer command supported Bit 11: Obsolete Bit 10: Obsolete Bit 9: If set, Device Reset command supported Bit 8: If set, Service interrupt supported Bit 7: If set, Release interrupt supported Bit 6: If set, look-ahead supported Bit 5: If set, Write Cache supported Bit 4: Cleared to 0 to indicate that the PACKET feature set is not supported. Bit 3: If set, mandatory Power Management Feature Set supported Bit 2: Obsolete Bit 1: If set, Security Feature Set supported Bit 0: If set, SMART Feature Set supported	706Bh

ATA Command Set

Table 4-6. Identify Device Command (Continued)

WORD	FIELD DESCRIPTION	VALUE
83	Command Set Supported Bit 15: Shall be cleared to 0 Bit 14: Shall be set to 1 Bit 13: If set, Flush Cache EXT command supported Bit 12: If set, mandatory Flush Cache command supported Bit 11: If set, DCO feature set supported Bit 10: If set, 48-bit Address Feature Set supported Bit 9: Not supported Bit 8: If set, Set Max Security Extension supported Bit 7: Reserved Bit 6: If set, Set Features subcommand required to spin-up after power-up Bit 5: If set, Power-Up In Standby feature set supported Bit 4: Obsolete Bit 3: If set, Advanced Power Management feature set supported Bit 2: If set, CFA feature set supported Bit 1: If set, Read/Write DMA Queued supported Bit 0: If set, Download Microcode command supported	7C01h
84	Command and feature sets supported Bit 15: Shall be cleared to zero Bit 14: Shall be set to one Bit 13: If set, Idle Immediate with Unload Feature supported Bit 12: Reserved Bit 11: Reserved Bit 9-10: Obsolete Bit 8: If set, 64-bit World wide name supported Bit 7: If set, Write DMA Queued FUA EXT command supported Bit 6: If set, Write DMA FUA EXT and Write Multiple FUA EXT commands supported Bit 5: If set, General Purpose Logging feature set supported Bit 4: If set, Streaming Feature Set supported Bit 3: Obsolete Bit 2: If set, Media serial number supported Bit 1: If set, SMART Self-Test supported Bit 0: If set, SMART Error Logging supported	6123h
85	Command and feature sets supported or enabled Bit 15: Obsolete Bit 14: If set, NOP command supported Bit 13: If set, Read Buffer command supported Bit 12: If set, Write Buffer command supported Bit 11: Obsolete Bit 10: If set, Host Protected Area has been established Bit 9: If set, DEVICE RESET command supported Bit 8: If set, SERVICE interrupt enabled Bit 7: If set, Release Interrupt enabled Bit 6: If set, Read look-ahead enabled Bit 5: If set, Volatile Write cache enabled Bit 4: Cleared to 0 to indicate that the PACKET feature set is not supported Bit 3: Set to 1 to indicate that the Mandatory Power Management feature set is supported Bit 2: Obsolete Bit 1: If set, Security Feature Set enabled Bit 0: If set, SMART Feature Set enabled	0111 0X0X XXX0 10XXb

ATA Command Set

Table 4-6. Identify Device Command (Continued)

WORD	FIELD DESCRIPTION	VALUE
86	<p>Commands and feature sets supported or enabled</p> <ul style="list-style-type: none"> <li>Bit 15: If set, Words 119-120 are valid</li> <li>Bit 14: Reserved</li> <li>Bit 13: If set, Flush Cache EXT command supported</li> <li>Bit 12: If set, Flush Cache command supported</li> <li>Bit 11: If set, Device Configuration Overlay supported</li> <li>Bit 10: If set, 48-bit Address Feature Set supported</li> <li>Bit 9: Not supported</li> <li>Bit 8: If set, Set Max Security Extension enabled by Set Max Set Password</li> <li>Bit 7: Reserved</li> <li>Bit 6: If set, Set Features subcommand required to spin-up after power-up</li> <li>Bit 5: If set, Power-Up In Standby feature set enabled</li> <li>Bit 4: Obsolete</li> <li>Bit 3: If set, Advanced Power Management feature set enabled</li> <li>Bit 2: If set, CFA Feature Set enabled</li> <li>Bit 1: If set, Read/Write DMA Queued command supported</li> <li>Bit 0: If set, Download Microcode command supported</li> </ul>	BC01h
87	<p>Commands and feature sets supported or enabled</p> <ul style="list-style-type: none"> <li>Bit 15: Shall be cleared to zero</li> <li>Bit 14: Shall be set to 1</li> <li>Bit 13: If set, Idle Immediate with Unload Feature supported</li> <li>Bit 12: Reserved</li> <li>Bit 11: Reserved</li> <li>Bit 9-10: Obsolete</li> <li>Bit 8: If set, 64-bit World wide name supported</li> <li>Bit 7: If set, Write DMA Queued FUA EXT command supported</li> <li>Bit 6: If set, Write DMA FUA EXT and Write Multiple FUA EXT commands supported</li> <li>Bit 5: If set, General Purpose Logging Feature Set supported</li> <li>Bit 4: Obsolete</li> <li>Bit 3: If set, Media Card Pass Through Command feature set supported</li> <li>Bit 2: If set, Media serial number is valid</li> <li>Bit 1: If set, SMART Self-Test supported</li> <li>Bit 0: If set, SMART Error Logging supported</li> </ul>	6123h
88	<p>Ultra DMA modes</p> <ul style="list-style-type: none"> <li>Bit 15: Reserved</li> <li>Bit 14: If set, Ultra DMA Mode 6 is selected</li> <li>Bit 13: If set, Ultra DMA Mode 5 is selected</li> <li>Bit 12: If set, Ultra DMA Mode 4 is selected</li> <li>Bit 11: If set, Ultra DMA Mode 3 is selected</li> <li>Bit 10: If set, Ultra DMA Mode 2 is selected</li> <li>Bit 9: If set, Ultra DMA Mode 1 is selected</li> <li>Bit 8: If set, Ultra DMA Mode 0 is selected</li> <li>Bit 7: Reserved</li> <li>Bit 6: Ultra DMA mode 6 supported</li> <li>Bit 5: Ultra DMA mode 5 supported</li> <li>Bit 4: Ultra DMA mode 4 supported</li> <li>Bit 3: Ultra DMA mode 3 supported</li> <li>Bit 2: Ultra DMA mode 2 supported</li> <li>Bit 1: Ultra DMA mode 1 supported</li> <li>Bit 0: Ultra DMA mode 0 supported</li> </ul>	XXXX XXXX 0111 1111b
89	<ul style="list-style-type: none"> <li>Bit 15-8: Reserved</li> <li>Bit 7-0: Time required for Normal Erase mode SECURITY ERASE UNIT command</li> </ul>	xxh
90	<ul style="list-style-type: none"> <li>Bit 15-8: Reserved</li> <li>Bit 7-0: Time required for Normal Erase mode SECURITY ERASE UNIT command</li> </ul>	xxh
91	Current APM level value	XXXXh
92	Master Password Identifier	XXXXh
93	Hardware reset result	0
94	Obsolete	0
95	Stream Minimum Request Size	0
96	Stream Transfer Time - DMA	0

## ATA Command Set

Table 4-6. Identify Device Command (Continued)

WORD	FIELD DESCRIPTION	VALUE
97	Stream Access Latency -DMA and PIO	0
98-99	Stream Performance Granularity (Dword)	0
100-103	Total number of User Addressable Logical Sectors (QWord)	WD62xxxx (11,721,045,168)
104	Streaming Transfer Time - PIO	0
105	Maximum number of 512 byte blocks per Data Set Management command	0000h
106	Physical sector size / logical sector size Bit 15 Shall be cleared to zero Bit 14 Shall be set to one Bit 13 if set, Device has multiple logical sectors per physical sector. Bit 12 if set, Device Logical Sector longer than 256 Words Bits 11-4 Reserved Bits 3-0 2X logical sectors per physical sector	6003h
107	Inter-seek delay for ISO 7779 standard acoustic testing	0
108-111	World Wide Name	XXXXXXXXXXXXXXXXXX
112-115	Reserved	0
116	Reserved for TLC	0
117-118	Logical Sector size (DWord)	0
119	Commands and feature sets supported (Continued from words 82-84) Bit 15: Cleared to zero Bit 14: Shall be set to one Bit 13-8: Reserved Bit 7: If set, Extended Power Conditions feature set supported Bit 6: If set, Sense Data Reporting supported Bit 5: If set, Free-fall Control feature set is supported Bit 4: If set, DOWNLOAD MICROCODE with offsets is supported Bit 3: If set, READ and WRITE DMA EXT GPL optional commands are supported Bit 2: If set, WRITE UNCORRECTABLE EXT is supported Bit 1: If set, Write-Read-Verify feature set is supported Bit 0: Reserved for DDT	401Ch
120	Commands and feature sets supported (Continued from words 85-87) Bit 15: Cleared to zero Bit 14: Shall be set to one Bit 13-8: Reserved Bit 7: If set, Extended Power Conditions feature set supported Bit 6: If set, Sense Data Reporting supported Bit 5: If set, Free-fall Control feature set is supported Bit 4: If set, DOWNLOAD MICROCODE with offsets is supported Bit 3: If set, READ and WRITE DMA EXT GPL optional commands are supported Bit 2: If set, WRITE UNCORRECTABLE EXT is supported Bit 1: If set, Write-Read-Verify feature set is supported Bit 0: Reserved for DDT	401Ch
121-126	Reserved	0
127	Obsolete	0
128	Security Status Bit 15-9: Reserved Bit 8: Security level (0 = High, 1 = Maximum) Bit 7-6: Reserved Bit 5: If set, Enhanced Security Erase supported Bit 4: If set, Security count expired Bit 3: If set, Security Frozen Bit 2: If set, Security Locked Bit 1: If set, Security enabled Bit 0: If set, Security supported	0000 000X 001X XXX1b
129-159	Vendor Specific	xx



ATA Command Set

Table 4-6. Identify Device Command (Continued)

WORD	FIELD DESCRIPTION	VALUE
160	CFA power mode Bit 15: Word 160 supported Bit 14: Reserved Bit 13: CFA power mode Bit 12: CFA power mode 1 disable Bit 11-0: Maximum current in ma	0
161-167	Reserved for the CompactFlash™ Association	0
168	Device Nominal Form Factor Bit 15-4: Reserved Bit 3-0: Device Nominal Form Factor	0002h
169	Data Set Management Command Bit 15-1: Reserved Bit 0: if set, the Trim bit in the Data Set Management command supported	0000h
170-173	Additional Product Identifier	0
174-175	Reserved	0
176-205	Current Media Serial number	0
206	SCT Command Transport Bit 15-12: Vendor Specific Bit 11-6: Reserved Bit 5: If set, SCT Data tables command supported Bit 4: If set, SCT Features Control command supported Bit 3: If set, SCT Error Recovery Control command supported Bit 2: If set, SCT Write Same command supported Bit 1: If set, Obsolete Bit 0: If set, SCT Command Transport supported	303Dh
207-208	Reserved	0
209	Alignment of logical blocks within a physical block Bit 15: Shall be cleared to zero Bit 14: Shall be set to one Bits 13-0: Logical sector offset within the first physical sector where the first logical sector is placed.	4000h
210-211	Write-Read-Verify Sector Count Mode 3	0
212-213	Write-Read-Verify Sector Count Mode 2	0
214	NV Cache Capabilities Bit 15-12: NV Cache feature set version Bit 11-8: NV Cache Power Mode feature set version Bit 7-5: Reserved Bit 4: If set, NV Cache feature set enable Bit 3-2: Reserved Bit 1: If set, NV Cache Power Mode feature set enable Bit 0: if set, NV Cache Power Mode feature set supported	0
215-216	NV Cache Size in Logical Blocks	0
217	Nominal media rotation rate	1608h
218	Reserved	0
219	NV Cache Options Bit 15-8: Reserved Bit 7-0: Device Estimate Time to spin up in seconds	0
220	Bit 15-8: Reserved Bit 7-0: Write-Read-Verify feature set current mode	0
221	Reserved	0
222	Transport major version number 0000h or FFFFh=device does not report version Bit 12-15: Transport Type (0h=Parallel 1h=Serial 2h-Fh=Reserved) Bit 6-11: Reserved (Parallel, Serial) Bit 5: Reserved SATA Rev. 3.0 Bit 4: Reserved SATA Rev. 2.6 Bit 3: Reserved SATA Rev. 2.5 Bit 2: Reserved SATA II: Extensions Bit 1: ATA/ATAPI-7 SATA 1.0a Bit 0: ATA8-APT ATA8-AST	107Eh
223	Transport minor version number	0

Table 4-6. Identify Device Command (Continued)

WORD	FIELD DESCRIPTION	VALUE
224-229	Reserved	0
230-233	Extended Number of User Addressable Sectors (Qword)	WD62xxxx (11,721,045,168)
234	Minimum number of 512-byte data blocks per DOWNLOAD MICROCODE command for mode 03h	0001h
235	Maximum number of 512-byte data blocks per DOWNLOAD MICROCODE command for mode 03h	2800h
236-254	Reserved	0
255	Integrity Word Bit 15-8: Checksum Bit 7-0: Signature	XXA5h

#### 4.4 Set Features (EFh)

The Set Features command enables or disables the features listed in Table 4-7.

Table 4-7. Set Features (EFh)

FUNCTION	FEATURES REGISTER	SECTOR COUNT REGISTER
Enable read look-ahead <sup>1</sup>	AAh	Don't care
Disable read look-ahead <sup>1</sup>	55h	Don't care
Enable write cache <sup>1</sup>	02h	Don't care
Disable write cache <sup>1</sup>	82h	Don't care
Set Transfer Mode	03h	Don't care
Enable use of Serial ATA Feature	10h	02h-DMA Setup FIS Auto-Activate optimization 06h-Software Settings Preservation
Disable use of Serial ATA Feature	90h	02h-DMA Setup FIS Auto-Activate optimization 06h-Software Settings Preservation

<sup>1</sup> Changes are only valid while power remains applied to the drive. After power is cycled, the drive reverts to the default settings.

## 5.0 INSTALLATION AND SETUP PROCEDURES

Hard drives are precision instruments that must be handled with care to prevent damage. It is important to understand that drives are typically damaged because of Electrostatic Discharge (ESD), rough handling, or shock and vibration. Refer to the *WD Hard Drive Handling document (part number 2178-800020)* for details on drive handling.

Refer to <http://support.wdc.com/warranty> for detailed instructions on all phases of repackaging the drive.

**IMPORTANT:** If your system does not support hot plugging (see *Section 3.16 Hot Plug Support on page 27*), it must be turned off and unplugged before installing your hard drive.

### 5.1 Unpacking

#### 5.1.1 Handling Precautions

WD products are designed to withstand normal handling during unpacking and installation. Take care to avoid excessive mechanical shock or electrostatic discharge (ESD), which can permanently damage the hard drive and void the warranty. Hard drives are typically damaged because of ESD, rough handling, or shock and vibration.

To avoid ESD problems, wear a properly grounded wrist strap when handling the hard drive. Articles of clothing generate static electricity. Do not allow clothing to come in direct contact with the hard drive or circuit board components.

When the WD drive is not in its shipping container or installed in its proper host enclosure, it must remain in the anti-static bag. To prevent damage, do not unpack your WD drive until you are ready to install it.

#### 5.1.2 Inspection of Shipping Container

Carefully examine the container for obvious shipping damage, such as: holes, signs of crushing, or stains. Notify the carrier and your WD representative if you observe any shipment damage. Always move the shipping container in the upright position indicated by the arrows on the container.

#### 5.1.3 Removal From Shipping Container

Remove the WD drive from the shipping container only for inspection or installation. Carefully open the box. When removing the WD drive from the box, follow these precautions:

- Grasp the drive by the sides only; avoid touching the circuit board components.
- Gently place the drive on its anti-static bag on a clean, level, grounded work area.
- Do not stack drives or stand the WD drive on its edge.

**CAUTION:** When removing the drive from the shipping container, be careful not to drop it. Dropping the drive can severely damage the head disk assembly or printed circuit board.

#### 5.1.4 Removal from Static Shielding Bag

Before removing the drive from its static shielding bag:

- Make sure that your work station is properly grounded.
- Wear a properly grounded wrist strap with good skin contact.
- Avoid contact with any component on the printed circuit board.

After attaching your wrist strap, gently remove the drive from the static shielding bag.

- Handle the drive by the sides only; avoid touching the printed circuit board.
- Do not open the drives sealed compartment or remove the seals or any labels from the drive; this will void the warranty.

#### 5.1.5 Moving Precautions

If you need to move your computer, turn off the power to automatically unload the heads. This helps protect the media and the heads from accidental damage due to vibration, moving, or shipping.

## 5.2 Mounting

Use either the four bottom screws or at least four of the side mounting screws to rigidly support the drive and prevent vibration. Some adapter frames may not have the mechanical design structure capable of mounting the drive to meet the specified shock and vibration requirements.

The hard drive itself does not provide electrical isolation between mounting locations and drive ground connection. If electrical isolation is required, the system designer or integrator would be responsible for providing a solution.

#### 5.2.1 Mounting Restrictions

If your system does not support hot plugging (see *Section 3.16 Hot Plug Support on page 27*), it must be turned off and unplugged before installing your hard drive.

#### 5.2.2 Orientation

You can mount the hard drive in the X, Y, or Z axis, depending upon the physical design of your system. For best results, mount the drive with all four screws grounded to the chassis. If all four screws are not used, see *Section 5.2.4 Grounding on page 45*.

#### 5.2.3 Screw Size Limitations

The hard drive should be mounted to the chassis using four 6-32 screws. Recommended screw torque is 5 in-lb. Maximum screw torque is 10 in-lb.

**CAUTION:** Screws that are too long can damage the hard drive. Hard drive screw penetration can differ between products depending upon hard drive design. WD's minimum design criteria is to always meet the SFF 8301 industry standard specification. The industry standard as defined in the SFF 8301 specifies a maximum of 3 mm screw penetration, and for a minimum of 2.4 mm of thread engagement from both the screw and the hard drive.

See Figure 2-1 for allowable fastener penetration for this product family.

### 5.2.4 Grounding

The PCBA and HDA grounds are always connected together in the drive and cannot be disconnected. The drive mounting screws, unless intentionally isolated, will provide additional ground connections between the HDA and the system chassis. If the drive isn't grounded via mounting screws as described under *Section 5.2 Mounting on page 44*, there may be increased electrical emissions (EMI).

## 5.3 Hard Drive Installation

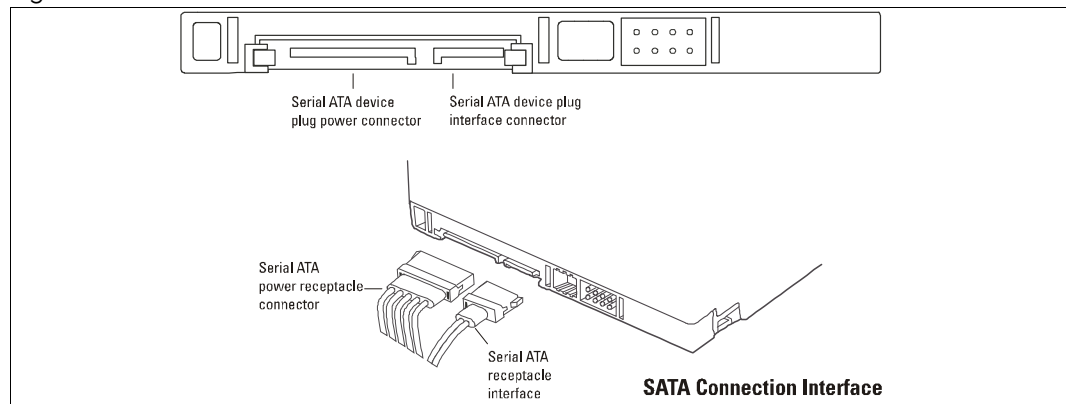
If your system does not support hot plugging (see *Section 3.16 Hot Plug Support on page 27*), it must be turned off and unplugged before installing your hard drive.

### 5.3.1 Attach the Power Supply Cable

If your system does not support hot plugging (see *Section 3.16 Hot Plug Support on page 27*), it must be turned off and unplugged before installing your hard drive. This avoids the possibility of reversing the polarity of the power connections and eliminating current surges that can damage either the drive or computer.

Attach the SATA power supply cable to the SATA device plug power connector. The SATA power connector is keyed to ensure proper insertion.

Figure 5-1. Connector Locations



### 5.3.2 Attach SATA Interface Cable

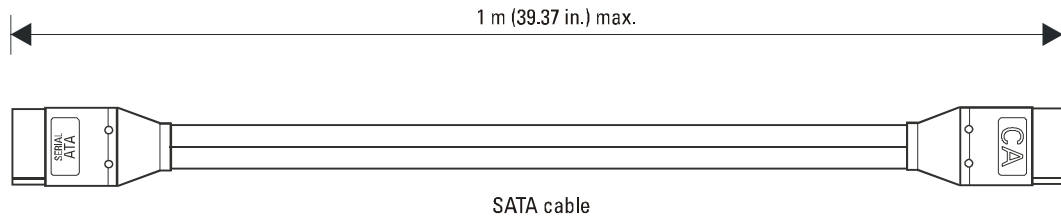
You can configure the hard drive two ways:

1. Cable the drive directly to a SATA connector on the motherboard, or
2. Cable the drive to a host adapter card mounted in one of the expansion slots in the computer.

Both configurations use a SATA interface cable.

Make sure the SATA interface cable is no longer than 1 meter (39.37 inches) to minimize noise that is induced on the data and control buses.

Figure 5-2. SATA Interface Cable



## 5.4 Serial ATA Latching Connector

This hard drive also allows Serial ATA latching cable connections. The latching connector provides a secure connection between the drive and the cable connector via a locking latch mechanism. The new latching connector design has two channels, one above the power connection and one above the data connection. Latch alignment with these channels forms an interlock when the latching cable is inserted into the drive. This latching feature makes the SATA connector more robust against breakage and ensures a click-lock connection which is verifiable even in noisy environments.

## 6.0 MAINTENANCE

The hard drive requires no preventative maintenance and contains no user-serviceable parts. The service and repair of drives can only be performed at a WD Service Center. Please contact your WD representative for warranty information and service/return procedures.

Observe the following precautions to prolong the life of the drive:

- Do not attempt to open the sealed compartment of the drive as this will void the warranty.
- Do not lift a drive by the printed circuit board.
- Avoid static discharge when handling a drive.
- Avoid harsh shocks or vibrations.
- Do not touch the components on the printed circuit board.
- Observe the environmental limits specified for this product.
- If it becomes necessary to move your computer system, turn off the power to automatically unload the heads. This helps protect the media and the heads from accidental damage due to vibration while moving or shipping.
- To protect your data, back it up regularly. WD assumes no responsibility for loss of data. For information about back-up and restore procedures, consult your operating system manual. There are also a number of utility programs available that you can use to back up your data.

## 7.0 TECHNICAL SUPPORT

### *NORTH AMERICA*

**US/Canada** (Central Time)      **800.ASK.4WDC (800.275.4932)**

### *EUROPE*

**Central European Time (CET)**      **00800.27549338 (toll-free where available) or +31.880062100**

## 7.1 WD Online Services

WD provides a wide variety of technical support services on our Internet site at:

<http://support.wdc.com>



## 8.0 THIRD-PARTY NOTICES

This product may include or use the following open source software subject to the following open source licenses. If required by the applicable open source license, Western Digital may provide the open source code to you on request either electronically or on a physical storage medium for a charge covering the cost of performing such distribution, which may include the cost of media, shipping, and handling.

### 8.1 LZHUF.C

(c)1989 by Haruyasu Yoshizaki, Haruhiko Okumura, and Kenji Rikitake.  
All rights reserved. Permission granted for non-commercial use.

### 8.2 EfAesLib

<http://www.codeproject.com/Articles/57478/A-Fast-and-Easy-to-Use-AES-Library>

#### Preamble

This License governs Your use of the Work. This License is intended to allow developers to use the Source Code and Executable Files provided as part of the Work in any application in any form.

The main points subject to the terms of the License are:

Source Code and Executable Files can be used in commercial applications;

Source Code and Executable Files can be redistributed; and

Source Code can be modified to create derivative works.

No claim of suitability, guarantee, or any warranty whatsoever is provided. The software is provided "as-is".

The Article(s) accompanying the Work may not be distributed or republished without the Author's consent

This License is entered between You, the individual or other entity reading or otherwise making use of the Work licensed pursuant to this License and the individual or other entity which offers the Work under the terms of this License ("Author").

#### License

THE WORK (AS DEFINED BELOW) IS PROVIDED UNDER THE TERMS OF THIS CODE PROJECT OPEN LICENSE ("LICENSE"). THE WORK IS PROTECTED BY COPYRIGHT AND/OR OTHER APPLICABLE LAW. ANY USE OF THE WORK OTHER THAN AS AUTHORIZED UNDER THIS LICENSE OR COPYRIGHT LAW IS PROHIBITED.

BY EXERCISING ANY RIGHTS TO THE WORK PROVIDED HEREIN, YOU ACCEPT AND AGREE TO BE BOUND BY THE TERMS OF THIS LICENSE. THE AUTHOR GRANTS YOU THE RIGHTS CONTAINED HEREIN IN CONSIDERATION OF YOUR ACCEPTANCE OF SUCH TERMS AND CONDITIONS. IF YOU DO NOT AGREE TO ACCEPT AND BE BOUND BY THE TERMS OF THIS LICENSE, YOU CANNOT MAKE ANY USE OF THE WORK.

#### Definitions

"Articles" means, collectively, all articles written by Author which describes how the Source Code and Executable Files for the Work may be used by a user.

"Author" means the individual or entity that offers the Work under the terms of this License.

## Third-Party Notices

"Derivative Work" means a work based upon the Work or upon the Work and other pre-existing works.

"Executable Files" refer to the executables, binary files, configuration and any required data files included in the Work.

"Publisher" means the provider of the website, magazine, CD-ROM, DVD or other medium from or by which the Work is obtained by You.

"Source Code" refers to the collection of source code and configuration files used to create the Executable Files.

"Standard Version" refers to such a Work if it has not been modified, or has been modified in accordance with the consent of the Author, such consent being in the full discretion of the Author.

"Work" refers to the collection of files distributed by the Publisher, including the Source Code, Executable Files, binaries, data files, documentation, whitepapers and the Articles.

"You" is you, an individual or entity wishing to use the Work and exercise your rights under this License.

Fair Use/Fair Use Rights. Nothing in this License is intended to reduce, limit, or restrict any rights arising from fair use, fair dealing, first sale or other limitations on the exclusive rights of the copyright owner under copyright law or other applicable laws.

License Grant. Subject to the terms and conditions of this License, the Author hereby grants You a worldwide, royalty-free, non-exclusive, perpetual (for the duration of the applicable copyright) license to exercise the rights in the Work as stated below:

You may use the standard version of the Source Code or Executable Files in Your own applications.

You may apply bug fixes, portability fixes and other modifications obtained from the Public Domain or from the Author. A Work modified in such a way shall still be considered the standard version and will be subject to this License.

You may otherwise modify Your copy of this Work (excluding the Articles) in any way to create a Derivative Work, provided that You insert a prominent notice in each changed file stating how, when and where You changed that file.

You may distribute the standard version of the Executable Files and Source Code or Derivative Work in aggregate with other (possibly commercial) programs as part of a larger (possibly commercial) software distribution.

The Articles discussing the Work published in any form by the author may not be distributed or republished without the Author's consent. The author retains copyright to any such Articles. You may use the Executable Files and Source Code pursuant to this License but you may not repost or republish or otherwise distribute or make available the Articles, without the prior written consent of the Author.

Any subroutines or modules supplied by You and linked into the Source Code or Executable Files of this Work shall not be considered part of this Work and will not be subject to the terms of this License.

Patent License. Subject to the terms and conditions of this License, each Author hereby grants to You a perpetual, worldwide, non-exclusive, no-charge, royalty-free, irrevocable (except as stated in this section) patent license to make, have made, use, import, and otherwise transfer the Work.

## Third-Party Notices

Restrictions. The license granted in Section 3 above is expressly made subject to and limited by the following restrictions:

You agree not to remove any of the original copyright, patent, trademark, and attribution notices and associated disclaimers that may appear in the Source Code or Executable Files.

You agree not to advertise or in any way imply that this Work is a product of Your own.

The name of the Author may not be used to endorse or promote products derived from the Work without the prior written consent of the Author.

You agree not to sell, lease, or rent any part of the Work. This does not restrict you from including the Work or any part of the Work inside a larger software distribution that itself is being sold. The Work by itself, though, cannot be sold, leased or rented.

You may distribute the Executable Files and Source Code only under the terms of this License, and You must include a copy of, or the Uniform Resource Identifier for, this License with every copy of the Executable Files or Source Code You distribute and ensure that anyone receiving such Executable Files and Source Code agrees that the terms of this License apply to such Executable Files and/or Source Code. You may not offer or impose any terms on the Work that alter or restrict the terms of this License or the recipients' exercise of the rights granted hereunder. You may not sublicense the Work. You must keep intact all notices that refer to this License and to the disclaimer of warranties. You may not distribute the Executable Files or Source Code with any technological measures that control access or use of the Work in a manner inconsistent with the terms of this License.

You agree not to use the Work for illegal, immoral or improper purposes, or on pages containing illegal, immoral or improper material. The Work is subject to applicable export laws. You agree to comply with all such laws and regulations that may apply to the Work after Your receipt of the Work.

Representations, Warranties and Disclaimer. THIS WORK IS PROVIDED "AS IS", "WHERE IS" AND "AS AVAILABLE", WITHOUT ANY EXPRESS OR IMPLIED WARRANTIES OR CONDITIONS OR GUARANTEES. YOU, THE USER, ASSUME ALL RISK IN ITS USE, INCLUDING COPYRIGHT INFRINGEMENT, PATENT INFRINGEMENT, SUITABILITY, ETC. AUTHOR EXPRESSLY DISCLAIMS ALL EXPRESS, IMPLIED OR STATUTORY WARRANTIES OR CONDITIONS, INCLUDING WITHOUT LIMITATION, WARRANTIES OR CONDITIONS OF MERCHANTABILITY, MERCHANTABLE QUALITY OR FITNESS FOR A PARTICULAR PURPOSE, OR ANY WARRANTY OF TITLE OR NON-INFRINGEMENT, OR THAT THE WORK (OR ANY PORTION THEREOF) IS CORRECT, USEFUL, BUG-FREE OR FREE OF VIRUSES. YOU MUST PASS THIS DISCLAIMER ON WHENEVER YOU DISTRIBUTE THE WORK OR DERIVATIVE WORKS.

Indemnity. You agree to defend, indemnify and hold harmless the Author and the Publisher from and against any claims, suits, losses, damages, liabilities, costs, and expenses (including reasonable legal or attorneys' fees) resulting from or relating to any use of the Work by You.

Limitation on Liability. EXCEPT TO THE EXTENT REQUIRED BY APPLICABLE LAW, IN NO EVENT WILL THE AUTHOR OR THE PUBLISHER BE LIABLE TO YOU ON ANY LEGAL THEORY FOR ANY SPECIAL, INCIDENTAL, CONSEQUENTIAL, PUNITIVE OR EXEMPLARY DAMAGES ARISING OUT OF THIS LICENSE OR THE USE OF THE WORK OR OTHERWISE, EVEN IF THE AUTHOR OR THE PUBLISHER HAS BEEN ADVISED OF THE POSSIBILITY OF SUCH DAMAGES.

### **Termination**

This License and the rights granted hereunder will terminate automatically upon any breach by You of any term of this License. Individuals or entities who have received Derivative Works from You under this License, however, will not have their licenses terminated provided such individuals or entities remain in full compliance with those licenses. Sections 1, 2, 6, 7, 8, 9, 10 and 11 will survive any termination of this License.

If You bring a copyright, trademark, patent or any other infringement claim against any contributor over infringements You claim are made by the Work, your License from such contributor to the Work ends automatically.

Subject to the above terms and conditions, this License is perpetual (for the duration of the applicable copyright in the Work). Notwithstanding the above, the Author reserves the right to release the Work under different license terms or to stop distributing the Work at any time; provided, however that any such election will not serve to withdraw this License (or any other license that has been, or is required to be, granted under the terms of this License), and this License will continue in full force and effect unless terminated as stated above.

Publisher. The parties hereby confirm that the Publisher shall not, under any circumstances, be responsible for and shall not have any liability in respect of the subject matter of this License. The Publisher makes no warranty whatsoever in connection with the Work and shall not be liable to You or any party on any legal theory for any damages whatsoever, including without limitation any general, special, incidental or consequential damages arising in connection to this license. The Publisher reserves the right to cease making the Work available to You at any time without notice

### **Miscellaneous**

This License shall be governed by the laws of the location of the head office of the Author or if the Author is an individual, the laws of location of the principal place of residence of the Author.

If any provision of this License is invalid or unenforceable under applicable law, it shall not affect the validity or enforceability of the remainder of the terms of this License, and without further action by the parties to this License, such provision shall be reformed to the minimum extent necessary to make such provision valid and enforceable.

No term or provision of this License shall be deemed waived and no breach consented to unless such waiver or consent shall be in writing and signed by the party to be charged with such waiver or consent.

This License constitutes the entire agreement between the parties with respect to the Work licensed herein. There are no understandings, agreements or representations with respect to the Work not specified herein. The Author shall not be bound by any additional provisions that may appear in any communication from You. This License may not be modified without the mutual written agreement of the Author and You.

### 8.3 **A portable, fast, and free implementation of the MD5 Message-Digest Algorithm (RFC 1321)**

<https://openwall.info/wiki/people/solar/software/public-domain-source-code/md5>

Alexander Peslyak, better known as Solar Designer <solar at openwall.com>

This software was written by Alexander Peslyak in 2001. No copyright is claimed, and the software is hereby placed in the public domain.

In case this attempt to disclaim copyright and place the software in the public domain is deemed null and void, then the software is Copyright (c) 2001 Alexander Peslyak and it is hereby released to the general public under the following terms:

Redistribution and use in source and binary forms, with or without modification, are permitted.

There's ABSOLUTELY NO WARRANTY, express or implied.

(This is a heavily cut-down "BSD license".)

This differs from Colin Plumb's older public domain implementation in that no exactly 32-bit integer data type is required (any 32-bit or wider unsigned integer data type will do), there's no compile-time endianness configuration, and the function prototypes match OpenSSL's.

No code from Colin Plumb's implementation has been reused; this comment merely compares the properties of the two independent implementations.

The primary goals of this implementation are portability and ease of use. It is meant to be fast, but not as fast as possible. Some known optimizations are not included to reduce source code size and avoid compile-time configuration.

### 8.4 **Embedded Template Library**

[https://github.com/ETL\\_CPP/etl](https://github.com/ETL_CPP/etl)

The MIT License (MIT)

Copyright (c) 2016 jwellbelove, [https://github.com/ETL\\_CPP/etl](https://github.com/ETL_CPP/etl), <http://www.etlcpp.com>

Permission is hereby granted, free of charge, to any person obtaining a copy of this software and associated documentation files (the "Software"), to deal in the Software without restriction, including without limitation the rights to use, copy, modify, merge, publish, distribute, sublicense, and/or sell copies of the Software, and to permit persons to whom the Software is furnished to do so, subject to the following conditions:

The above copyright notice and this permission notice shall be included in all copies or substantial portions of the Software.

THE SOFTWARE IS PROVIDED "AS IS", WITHOUT WARRANTY OF ANY KIND, EXPRESS OR IMPLIED, INCLUDING BUT NOT LIMITED TO THE WARRANTIES OF MERCHANTABILITY, FITNESS FOR A PARTICULAR PURPOSE AND NONINFRINGEMENT. IN NO EVENT SHALL THE AUTHORS OR COPYRIGHT HOLDERS BE LIABLE FOR ANY CLAIM, DAMAGES OR OTHER LIABILITY, WHETHER IN AN ACTION OF CONTRACT, TORT OR OTHERWISE, ARISING FROM, OUT OF OR IN CONNECTION WITH THE SOFTWARE OR THE USE OR OTHER DEALINGS IN THE SOFTWARE.

## 8.5 uTensor

<https://github.com/uTensor/uTensor>

Apache License

Version 2.0, January 2004

<http://www.apache.org/licenses/>

### **TERMS AND CONDITIONS FOR USE, REPRODUCTION, AND DISTRIBUTION**

#### 1. Definitions.

"License" shall mean the terms and conditions for use, reproduction, and distribution as defined by Sections 1 through 9 of this document.

"Licensor" shall mean the copyright owner or entity authorized by the copyright owner that is granting the License.

"Legal Entity" shall mean the union of the acting entity and all other entities that control, are controlled by, or are under common control with that entity. For the purposes of this definition, "control" means (i) the power, direct or indirect, to cause the direction or management of such entity, whether by contract or otherwise, or (ii) ownership of fifty percent (50%) or more of the outstanding shares, or (iii) beneficial ownership of such entity.

"You" (or "Your") shall mean an individual or Legal Entity exercising permissions granted by this License.

"Source" form shall mean the preferred form for making modifications, including but not limited to software source code, documentation source, and configuration files.

"Object" form shall mean any form resulting from mechanical transformation or translation of a Source form, including but not limited to compiled object code, generated documentation, and conversions to other media types.

"Work" shall mean the work of authorship, whether in Source or Object form, made available under the License, as indicated by a copyright notice that is included in or attached to the work (an example is provided in the Appendix below).

"Derivative Works" shall mean any work, whether in Source or Object form, that is based on (or derived from) the Work and for which the editorial revisions, annotations, elaborations, or other modifications represent, as a whole, an original work of authorship. For the purposes of this License, Derivative Works shall not include works that remain separable from, or merely link (or bind by name) to the interfaces of, the Work and Derivative Works thereof.

"Contribution" shall mean any work of authorship, including the original version of the Work and any modifications or additions to that Work or Derivative Works thereof, that is intentionally submitted to Licensor for inclusion in the Work by the copyright owner or by an individual or Legal Entity authorized to submit on behalf of the copyright owner. For the purposes of this definition, "submitted" means any form of electronic, verbal, or written communication sent to the Licensor or its representatives, including but not limited to communication on electronic mailing lists, source code control systems, and issue tracking systems that are managed by, or on behalf of, the Licensor for the purpose of discussing and improving the Work, but excluding communication that is conspicuously marked or otherwise designated in writing by the copyright owner as "Not a Contribution."

"Contributor" shall mean Licensor and any individual or Legal Entity on behalf of whom a Contribution has been received by Licensor and subsequently incorporated within the Work.

2. Grant of Copyright License. Subject to the terms and conditions of this License, each Contributor hereby grants to You a perpetual, worldwide, non-exclusive, no-charge, royalty-free, irrevocable copyright license to reproduce, prepare Derivative Works of, publicly display, publicly perform, sublicense, and distribute the Work and such Derivative Works in Source or Object form.

3. Grant of Patent License. Subject to the terms and conditions of this License, each Contributor hereby grants to You a perpetual, worldwide, non-exclusive, no-charge, royalty-free, irrevocable (except as stated in this section) patent license to make, have made, use, offer to sell, sell, import, and otherwise transfer the Work, where such license applies only to those patent claims licensable by such Contributor that are necessarily infringed by their Contribution(s) alone or by combination of their Contribution(s) with the Work to which such Contribution(s) was submitted. If You institute patent litigation against any entity (including a cross-claim or counterclaim in a lawsuit) alleging that the Work or a Contribution incorporated within the Work constitutes direct or contributory patent infringement, then any patent licenses granted to You under this License for that Work shall terminate as of the date such litigation is filed.

4. Redistribution. You may reproduce and distribute copies of the Work or Derivative Works thereof in any medium, with or without modifications, and in Source or Object form, provided that You meet the following conditions:

(a) You must give any other recipients of the Work or Derivative Works a copy of this License; and

(b) You must cause any modified files to carry prominent notices stating that You changed the files; and

(c) You must retain, in the Source form of any Derivative Works that You distribute, all copyright, patent, trademark, and attribution notices from the Source form of the Work, excluding those notices that do not pertain to any part of the Derivative Works; and

(d) If the Work includes a "NOTICE" text file as part of its distribution, then any Derivative Works that You distribute must include a readable copy of the attribution notices contained within such NOTICE file, excluding those notices that do not pertain to any part of the Derivative Works, in at least one of the following places: within a NOTICE text file distributed as part of the Derivative Works; within the Source form or documentation, if provided along with the Derivative Works; or, within a display generated by the Derivative Works, if and wherever such third-party notices normally appear. The contents of the NOTICE file are for informational purposes only and do not modify the License. You may add Your own attribution notices within Derivative Works that You distribute, alongside or as an addendum to the NOTICE text from the Work, provided that such additional attribution notices cannot be construed as modifying the License.

You may add Your own copyright statement to Your modifications and may provide additional or different license terms and conditions for use, reproduction, or distribution of Your modifications, or for any such Derivative Works as a whole, provided Your use, reproduction, and distribution of the Work otherwise complies with the conditions stated in this License.

5. Submission of Contributions. Unless You explicitly state otherwise, any Contribution intentionally submitted for inclusion in the Work by You to the Licensor

shall be under the terms and conditions of this License, without any additional terms or conditions. Notwithstanding the above, nothing herein shall supersede or modify the terms of any separate license agreement you may have executed with Licensor regarding such Contributions.

6. Trademarks. This License does not grant permission to use the trade names, trademarks, service marks, or product names of the Licensor, except as required for reasonable and customary use in describing the origin of the Work and reproducing the content of the NOTICE file.

7. Disclaimer of Warranty. Unless required by applicable law or agreed to in writing, Licensor provides the Work (and each Contributor provides its Contributions) on an "AS IS" BASIS, WITHOUT WARRANTIES OR CONDITIONS OF ANY KIND, either express or implied, including, without limitation, any warranties or conditions of TITLE, NON-INFRINGEMENT, MERCHANTABILITY, or FITNESS FOR A PARTICULAR PURPOSE. You are solely responsible for determining the appropriateness of using or redistributing the Work and assume any risks associated with Your exercise of permissions under this License.

8. Limitation of Liability. In no event and under no legal theory, whether in tort (including negligence), contract, or otherwise, unless required by applicable law (such as deliberate and grossly negligent acts) or agreed to in writing, shall any Contributor be liable to You for damages, including any direct, indirect, special, incidental, or consequential damages of any character arising as a result of this License or out of the use or inability to use the Work (including but not limited to damages for loss of goodwill, work stoppage, computer failure or malfunction, or any and all other commercial damages or losses), even if such Contributor has been advised of the possibility of such damages.

9. Accepting Warranty or Additional Liability. While redistributing the Work or Derivative Works thereof, You may choose to offer, and charge a fee for, acceptance of support, warranty, indemnity, or other liability obligations and/or rights consistent with this License. However, in accepting such obligations, You may act only on Your own behalf and on Your sole responsibility, not on behalf of any other Contributor, and only if You agree to indemnify, defend, and hold each Contributor harmless for any liability incurred by, or claims asserted against, such Contributor by reason of your accepting any such warranty or additional liability.

## **END OF TERMS AND CONDITIONS**

APPENDIX: How to apply the Apache License to your work.

To apply the Apache License to your work, attach the following boilerplate notice, with the fields enclosed by brackets "{}" replaced with your own identifying information. (Don't include the brackets!) The text should be enclosed in the appropriate comment syntax for the file format. We also recommend that a file or class name and description of purpose be included on the same "printed page" as the copyright notice for easier identification within third-party archives.

```
Copyright {yyyy} {name of copyright owner}
```

```
Licensed under the Apache License, Version 2.0 (the "License"); you may not use this file except in compliance with the License.
```

```
You may obtain a copy of the License at http://www.apache.org/licenses/LICENSE-2.0
```



### Third-Party Notices

unless required by applicable law or agreed to in writing, software distributed under the License is distributed on an "AS IS" BASIS, WITHOUT WARRANTIES OR CONDITIONS OF ANY KIND, either express or implied.

See the License for the specific language governing permissions and limitations under the License.

## 9.0 GLOSSARY

**Active LED Status** — The WD drive supports external LED requirements. It provides an activity LED output which is ON during command execution and OFF otherwise.

**Annualized Failure Rate (AFR)** — A method of measuring failure rates or trends for a group of units at a site. The rates are based on the monthly total number of returned field failure units divided by the total cumulative installed base and multiplied by 12 (to annualize the failure rate).

**Advanced Format (AF)** — Technology adopted by WD and other drive manufacturers as one of multiple ways to continue growing hard drive capacities. AF is a more efficient media format that enables increased areal densities.

**Automatic Defect Retirement** — If defective sectors are found during a read or write, they are automatically mapped out and relocated.

**Block** — A group of bytes handled, stored, and accessed as a logical data unit.

**Buffer** — A temporary data storage area that compensates for a difference in data transfer rates and/or data processing rates between sender and receiver.

**Command Queuing** — See *Native Command Queuing (NCQ)*

**Data Lifeguard™** — Representing WD's ongoing commitment to data protection, Data Lifeguard data protection utilities include thermal management, an environmental protection system, and embedded error detection and repair features that automatically detect, isolate, and repair problem areas that may develop over the extended use of the hard drive.

**Data Transfer Rate** — The rate that digital data is transferred from one point to another, expressed in bits per second or bytes per second.

**Defect Management** — A general methodology of eliminating data errors on a recording surface by mapping out known bad areas of the media.

**Dual Actuator Technology** — A head positioning system with two actuators that improves positional accuracy over the data track(s). The primary actuator provides coarse displacement using conventional electromagnetic actuator principles. The secondary actuator uses piezoelectric motion to fine tune the head positioning to a higher degree of accuracy.

**Dynamic Fly Height Control** — This feature is designed to compensate for head/media separation changes due to temperature and altitude. It adds margins across temperature and altitude changes.

**Error Correction Code (ECC)** — A mathematical algorithm that can detect and correct errors in a data field by adding check bits to the original data.

**F.I.T. (Functional Integrity Testing)** — A suite of tests WD performs on all its drive products to ensure compatibility with different hosts, operating systems, application programs, and peripherals. This testing must be performed before the product can be released to manufacturing.

**Fluid Dynamic Bearings (FDB)** — Bearing design that incorporates a layer of high-viscosity lubricant instead of ball bearings in the hard drive spindle motor. FDB designs provide increased non-operational shock resistance, speed control, and improved acoustics.

**Formatted Capacity** — The actual capacity available to store data in a mass storage device. The formatted capacity is the gross capacity minus the capacity taken up by the overhead data required for formatting the media.

**Hot Plugging** — The ability to swap out a failed hard drive without having to power down the system or reboot.

**IntelliSeek** — WD technology that proactively calculates an optimum seek speed to eliminate hasty movement of the actuator that produces noise and requires power.

**Logical Block Address** — An alternative addressing methodology of identifying a given location on a SATA drive that permits disk sizes greater than 528 MB.

**Native Command Queuing (NCQ)** — NCQ allows the drive to re-order read commands, thereby increasing random read IOPs. NCQ is a true Enterprise feature for environments such as database, Web servers, and e-mail servers.

**NoTouch™ Ramp Load Technology** — The recording head never touches the disk media ensuring significantly less wear to the recording head and media as well as better drive protection in transit.

**Pre-emptive Wear Leveling (PWL)** — WD feature that provides a solution for protecting the recording media against mechanical wear.

**PRML (Partial Response Maximum Likelihood)** — A read channel using sampled data, active equalization and Viterbi detection to accurately retrieve the user data off the disk.

**RoHS (Restriction of Hazardous Substances)** — WD complies with the Restriction of Hazardous Substances (RoHS) Directive 2011/65/EU of the European Parliament, which is effective in the EU beginning July 8, 2011. RoHS aims to protect human health and the environment by restricting the use of certain hazardous substances in new equipment, and consists of restrictions on lead, mercury, cadmium, and other substances..

**Rotational Latency** — The amount of delay in obtaining information from a disk drive that can be attributed to the rotation of the disk. For a disk rotating at 10,000 RPM, the average latency is 3 milliseconds.

**RPM (Revolutions per Minute)** — Rotational speed of the media (disk), also known as the spindle speed. Hard drives spin at one constant speed. The slower the RPM, the higher the mechanical latencies. Disk RPM is a critical component of hard drive performance because it directly impacts the rotational latency and the disk transfer rate.

**Seek Time** — The time it takes for the read/write head to move to a specific block of data on the hard drive. The average seek time is computed by dividing the time it takes to complete a large number of random seeks by the number of seeks performed.

**Data Sector** — A 512-byte packet of data.

**Self-Monitoring, Analysis, and Reporting Technology (S.M.A.R.T.)** — A technology to assist the user in preventing possible system down time due to hard drive failure.

**Serial ATA (SATA)** — SATA is the industry standard bus interface for hard drives. It is designed to replace Parallel ATA, and has many advantages including increased transfer rate, improved signal integrity, enhanced data protection, and hot plugging.

**S.M.A.R.T. Command Transport (SCT)** — The SCT Command Transport feature set provides a method for a host to send commands and data to a device and for a device to send data and status to a host using log pages.

**Staggered Spinup** — SATA feature that allows the system to control whether the drive will spin up immediately or wait until the interface is fully ready.

**Unrecoverable Error** — A read error that cannot be overcome by an ECC scheme or by rereading the data when host retries are enabled.

**World Wide Name (WWN)** — The World Wide Name (WWN) defined in ATA/ATAPI-7 is a modification of the IEEE extended unique identifier 64 bit standard (EUI-64) and is comprised of three major components: naming authority, organizationally unique identifier (OUI) and serial number. WD's OUI is 0014EEh.

**INDEX****—A—**

Acoustics, 18, 19  
 Agency Approvals, 19  
 Airflow, 17  
 AllFrame, 21  
 Annualized Failure Rate, 58  
 Atmospheric Pressure, 17

**—B—**

Buffer Size, 12  
 bytes per sector  
   host, 12  
   physical, 12

**—C—**

Cabling, 14  
   Power Supply Cable Attachment, 45  
   SATA Interface Cable Attachment, 45  
 Commands  
   SCT, 31  
 Connectors  
   Serial ATA Latching, 46  
 Cooling  
   Airflow, 17  
   forced airflow direction, 17  
 Current Requirements, 14

**—D—**

Data Surfaces, 12  
 Data Transfer Rate, 12  
 Device Plug Connector Pin Definitions, 18  
 Dimensions, 13

**—E—**

Error Rate, 12

**—G—**

Glossary, 49  
 Grounding (Hard Drive), 45

**—H—**

Host Interface Commands, 30  
   Identify Drive, 35  
   S.M.A.R.T., 31  
   Set Features, 42

**—I—**

Input Voltage Requirements, 14  
 Installation and Setup, 43

**—M—**

Maintenance, 47

Model number specification, 19

**Mounting**

  Orientation, 44  
   Screw Size Limitations, 44  
 Mounting (Hard Drive), 44

**—P—**

Perpendicular magnetic recording (PMR), 22  
 Power Dissipation, 14, 16

**—R—**

Recording Method, 12  
 Reliability Characteristics, 18  
 Ripple, 14  
 RoHS (Restriction of Hazardous Substances), 18  
 Rotational Speed, 12

**—S—**

SATA 6 Gb/s interface, 21  
 SCT commands, 31  
 Serial ATA Latching Connector, 46  
 Servo Type, 12  
 Shock and Vibration, 15  
 Specifications, 12  
   electrical (3 disk models), 14  
   Environmental, 15  
   Mechanical, 13  
   Performance, 12  
   Physical, 12  
   Reliability, 18  
 Spindle Start Time, 12

**—T—**

Temperature  
   Airflow, 17  
   Thermocouple location, 16  
 Temperature and Humidity, 16  
 Thermocouple location, 16  
 Third-Party Notices, 49

**—U—**

Unpacking  
   Container Inspection, 43  
   Drive Removal - Container, 43  
   Drive Removal - Static Shielding Bag, 44  
   Handling Precautions, 43  
   Moving Precautions, 44  
 User Sectors per Drive, 12

# Western Digital®

For service and literature:  
support.wdc.com  
www.westerndigital.com  
800.ASK.4WDC North America  
+800.6008.6008 Asia Pacific  
00800.ASK.4WDEU Europe (toll free where available)  
+31.88.0062100 Europe/Middle East/Africa

2679-810071-A00  
January 2021

Western Digital  
5601 Great Oaks Parkway  
San Jose, CA 95119  
U.S.A.