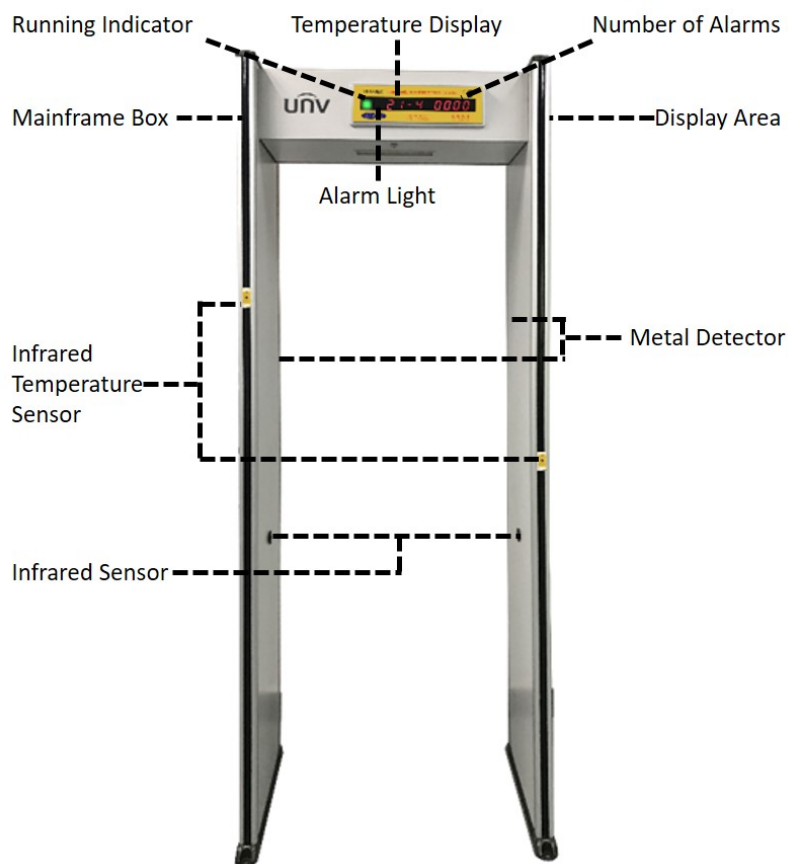


USS-SC100A-TM-O

Human Body Temperature Measurement Metal Security Gate

Overview

USS-SC100A-TM-O human body temperature measurement metal security gate is a multi-functional safety check equipment, it can be used to detect whether there is metal contraband and whether the human body temperature is abnormal. It is suitable for controlling crowded places since it can solve the risk of missing detection and cross infection, it can be applied to scenarios such as campus, enterprise, government etc., and it is helpful to prevent and control the spread of infectious diseases.



Key Features

- Multi-function, support human body temperature measurement and metal detection
- Rapid deployment and easy to use, the temperature can be measured on the wrist or forehead
- Different height temperature detection sensors are deployed on both sides, it is Convenient for people of different heights to measure
- Temperature measurement distance: 4-8cm, error < 0.5°C
- Non-contact detection to avoid cross infection



- Avoid the leakage of manual temperature measurement when the flow is large
- Alarm temperature editable: the alarm will trigger when the detected human temperature over the set value
- Through the measurement of working environment temperature, flexible adjustment of temperature compensation, improve the accuracy of detection
- 18 different metal detection areas that can pinpoint metal contraband
- Using PVC synthetic material special process manufacturing, stable structure, environmental protection, non-deformation and long service life

Specifications

Model	USS-SC100A-TM-O
Display content	<p>When the temperature of the human body is measured, the temperature display area shows the actual temperature of the human body and the number of alarm people.</p> <p>When no one passes, the temperature display area displays the temperature of the working environment.</p> <p>When the running indicator is green, it is ready to operate.</p> <p>When the alarm light turns red, a temperature exceeding the threshold is detected or metal objects are detected.</p> <p>The signal interference indicator indicates the presence or absence of interference in zones 1-18 from bottom to top.</p>
Temperature detection range	0°C~45°C
Temperature error	±0.5°C
Accuracy	0.02°C
Metal detection zone mode	18 metal detection areas
Metal detection accuracy	With the function of adjusting sensitivity, each location can set the sensitivity of 300 levels (0~299), the minimum can identify a coin
Password protection	Only authorized personnel can operate.
Security	Can exclude belt buckle, jewelry, keys and other items. It's no damage to pacemakers, hearing AIDS, pregnant women, CDS, etc.
Power supply	AC220V/60HZ
Power consumption	<20W
Operating temperature	-10°C~45°C
Operating humidity	<80%
Weight	50KG

Overall dimension	2270mm*830mm*500mm
Channel dimension	2000mm*700mm*500mm
Notes	The installation environment should be rainproof, moisture-proof and dry, and the environment temperature balance should be kept as far as possible. High temperature objects should be kept away from the surrounding environment. Chemical agents such as 84 disinfectant and 75% ethanol disinfectant should be avoided from corroding the outer membrane of the temperature control probe.

Dimensions

