

Videosec[®]

PSH04GE+4GE

User Guide

8-Port Gigabit PoE Switch with LCD display

Package Contents

Check the following contents of your package:

- PoE Switch x 1
- User's Manual x 1
- Power Cord x 1
- Accessories(hanging ears*2, Rubber Feet*4, screw*8)

If any part is lost and damaged, please contact your local agent immediately.

1. Introduction

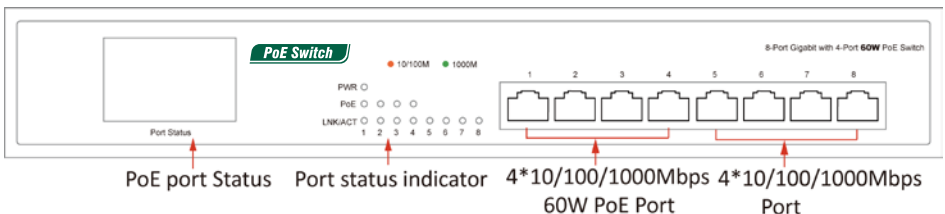
Thank you for choosing this PoE Switch. The provides 8-10/100/1000Mbps RJ45 port, all ports support MDI/MDIX function. Among them 1-4 ports have PSE function, using 4 twisted-pair cable to the terminal equipment of power supply at the same time, the output power up to 60W, complies with IEEE802.3 af/at standard, can automatically detect identification standard of electrical equipment and through the cable power supply to them.

The LCD not only can display the PoE work status, accurate judgment port of load, can also help customer and engineer timely discover and solve the network failure, improve work efficiency and quality.

2. Hardware Description

2.1 Front Panel

The Front Panel of the PoE Ethernet Switch Consists of Ethernet Ports. The LCD Display and LED indicators are also located on the panel.

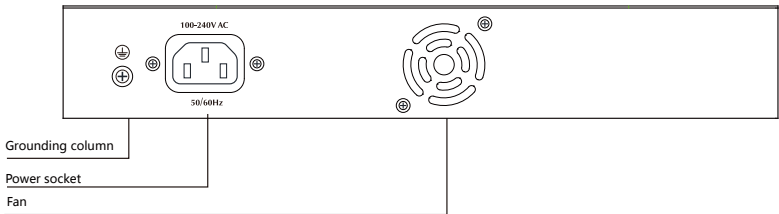


LED indicator

LED	Color	Function
PWR	Green	Off: No Power supply. Light: Indicates the switch has power.
LNK/ACT	Orange	Off: No device is connected to the corresponding port Light: Indicates the link through that port is successfully established at 10/100Mbps. Blink: Indicates that the Switch is actively sending or receiving data over that port.
	Green	Off: No device is connected to the corresponding port. Light: Indicates the link through that port is successfully established at 1000Mbps. Blink: Indicates that the Switch is actively sending or receiving data over that port.
PoE	Orange	Off: No PoE powered device (PD) connected. Light: There is a PoE PD connected to be port, which supply power successfully. Blink: Indicates port abnormal power supply.

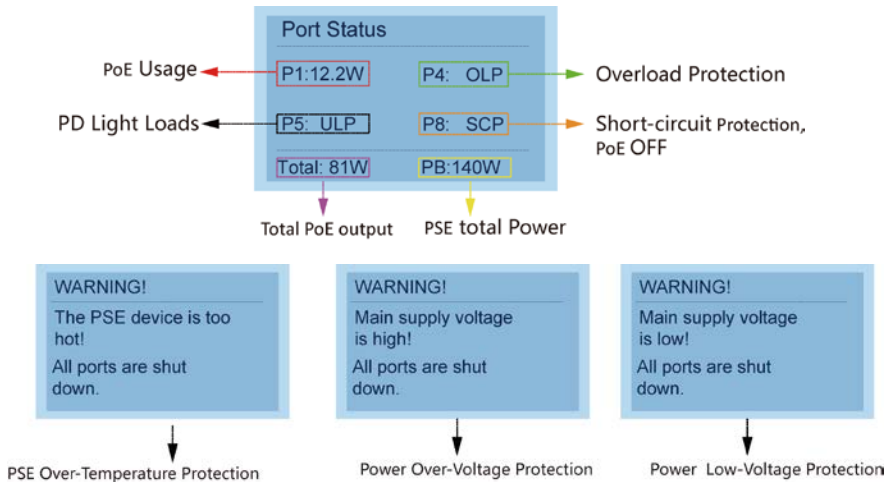
2.2. Rear Panel

The rear panel of the PoE Switch indicates an AC inlet power socket, which accepts input power from 100 to 240V AC, 50/60HZ.



2.3. LCD Features

The PoE Switch is with the function of the LCD display and PoE Ethernet switch. The LCD can display the working condition of PoE port not only , still can accurately show the state of each port, such as: Output power, Overload, Short circuit, Light load, Low voltage, Over voltage,High temperature, and so on...



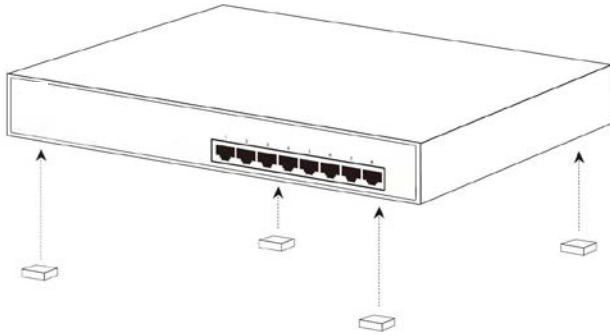
3. Installation the Switch

This part describes how to install your Ethernet Switch and make connections to it. Please follow the following instructions in avoid of incorrect installation causing device damage and security threat.

- Before cleaning the switch, unplug the power plug of the switch first. Do not clean the switch with wet cloth or liquid;
- Do not place the switch near water or any damp area. Prevent water or moisture from entering the switch chassis;
- Do not place the switch on an unstable case or desk. The switch might be damaged severely in case of a fall;
- Ensure proper ventilation of the equipment room and keep the ventilation vents of the switch free of obstruction;
- Make sure that the operating voltage is the same one labeled on the switch;
- Do not open the chassis while the switch is operating or when electrical hazards are present to avoid electrical shocks.

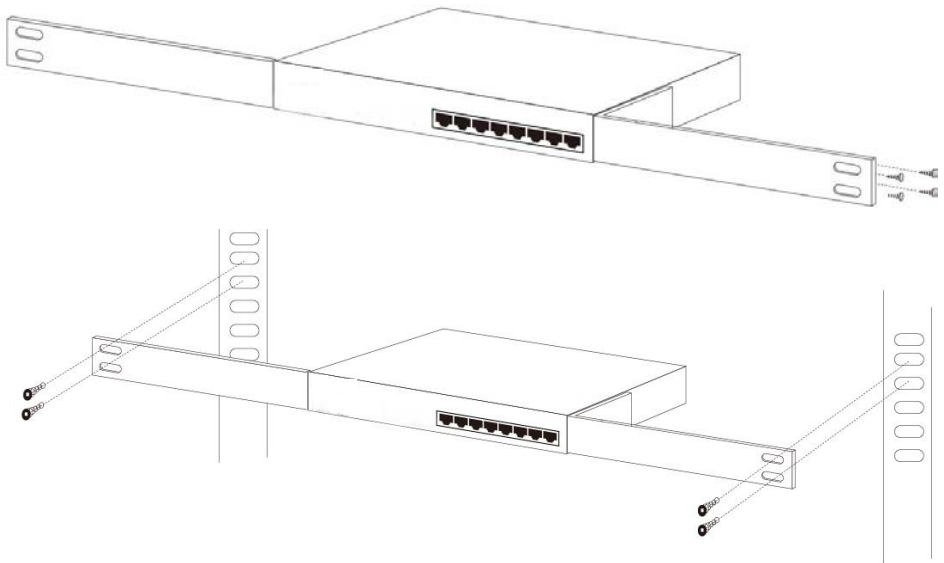
3.1. Desktop Installation

Install the Switch on a desktop, please attach these cushioning rubber feet provided on the bottom at each corner of the Switch in case of the external vibration. Allow adequate space for ventilation between the device and the objects around it.



3.2. Rack-mountable Installation

The switch is rack-mountable and can be installed on an EIA-19 inch equipment rack. To do this, first, please install the mounting brackets on the switch's side panels (one on each side), secure them with the included screws, and then use the screws provided with the equipment rack to mount the switch on the 19 inch rack.



3.3 Turn on the switch

Please plug the power supply into the switch, the internal power system of the switch can Auto-regulate the working power according to the actual input power. When the switch is power on, the power indicator will be light on the front panel of the switch shines.

Note: Please confirm the voltage is correct before power on, otherwise the switch will be damaged.

(There is a power supply socket on the back panel of the PoE Ethernet switch. The power input is: 100V-240Vac, 50/60Hz.)

Specifications

Model	4GE(PoE)+4GE
Standard	IEEE802.3, IEEE802.3u, IEEE802.3ab, IEEE802.3az, IEEE802.3x, IEEE802.3af, IEEE802.3at
Network - Media(Cable)	10BASE-T: UTP category 3,4,5 cable (≤100m) 100BASE-TX: UTP category 5 cable (≤100m) 1000BASE-T: UTP category 5e cable (≤100m)
LCD Display	Support
MAC Address Table	8K, Auto-learning, Auto-aging
Transfer mode	Store-and-Forward
Frame Forward Rate	10Base-T: 14881pps/Port 100Base-TX: 148810pps/Port 1000Base-T: 1488095pps/Port
Switching Capacity	16G
Dimensions (L*W*H)	280 * 179 * 44.5 mm
Fan	Fan
Power Input	AC: 100~240V, 50/60Hz
Power output	55VDC /3.6A
PoE Port	Port1~4
PoE Power on RJ45	Twisted-pair polarity: 1/2(-),3/6(+);and4/5(+),7/8(-)
PoE Power Output	Voltage: 55V DC Power: 60W(Max)
PoE Power Budget	180W
Temperature	Operating Temperature: 0°C ~ 40 °C (32 °F ~104°F) Storage Temperature: -40 °C ~ 70 °C (-40 °F ~158°F)
Humidity	Operating Humidity: 10% ~ 90% non-condensing Storage Humidity: 5% ~ 90% non-condensing