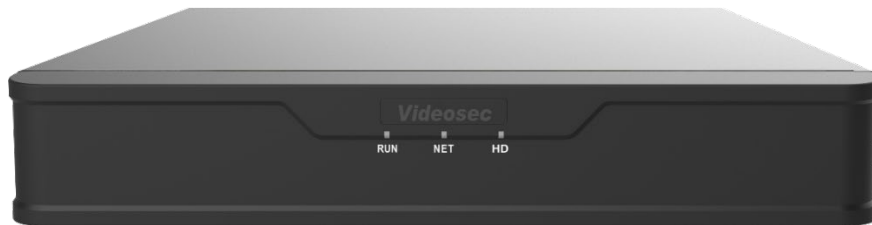


NVR-5001-08S

Network Video Recorder



Key Features

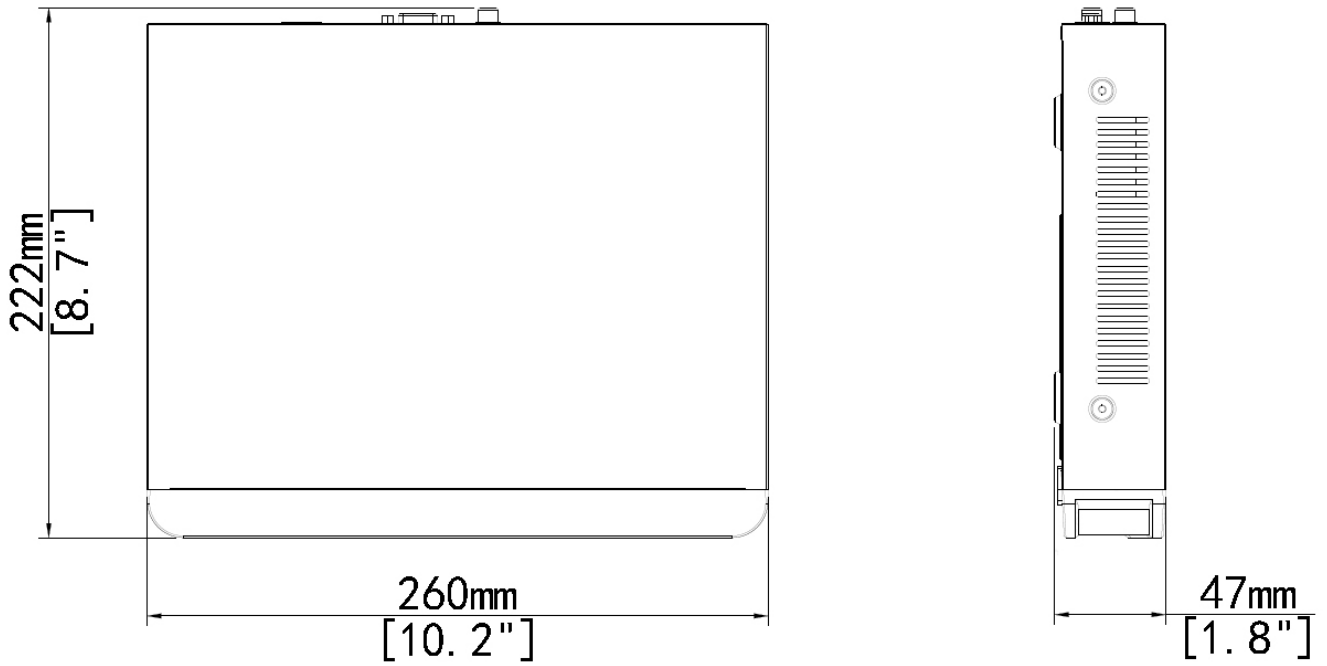
- Support Ultra 265/H.265/H.264 video formats
- 8-channel input
- Support mainstream cameras of ONVIF conformance (Profile S, Profile G, Profile T) and RTSP protocols
- HDMI and VGA simultaneous output, HDMI at up to 4K(3840x2160) resolution
- IQ Motion Detection (motion detection based on object)
- Up to 8 Megapixels resolution recording per camera
- 1 SATA HDD, up to 8TB HDD
- ANR technology to enhance the storage reliability when the network is disconnected

Specifications

Model	NVR-5001-08S
Video/Audio Input	
IP Video Input	8-ch
Audio Input	1-ch, RCA
Network	
Incoming bandwidth	80Mbps
Outgoing bandwidth	64Mbps
Remote Users	128
Protocols	TCP/IP, P2P, UPnP, NTP, DHCP, PPPoE, HTTP, HTTPS, DNS, DDNS, SNMP, SMTP
Browser	IE(IE10/11) for Windows Firefox (version 52.0 and above) for Windows Chrome (version 45 and above) for Windows Edge (version 79 and above) for Windows
Video/Audio Output	
HDMI/VGA Output	HDMI: 4K (3840x2160)@30Hz, 1920x1080p@60Hz, 1920x1080p@50Hz, 1600x1200@60Hz, 1280x1024@60Hz, 1280x720@60Hz, 1024x768@60Hz VGA: 1920x1080p@60Hz, 1920x1080p@50Hz, 1280x1024@60Hz, 1600x1200@60Hz, 1280x720@60Hz, 1024x768@60Hz
Recording Resolution	8MP/6MP/5MP/4MP/3MP/1080p/960p/720p/D1/2CIF/CIF
Audio Output	1-ch, RCA
Two-way Audio	1-ch, RCA (Using the audio input and output)
Audio Compression	G.711A, G.711U
Synchronous Playback	8-ch
Live view display	1/4/6/8/9
Corridor Mode Screen	3/4/5/7/9
Snapshot	
FTP/Schedule/Event Snapshot	4-ch snapshot, up to D1 resolution
Decoding	
Decoding format	Ultra 265/H.265/H.264
Live view/Playback	8MP/6MP/5MP/4MP/3MP/1080p/960p/720p/D1/2CIF/CIF
Capability	Ultra 265/H.265: 4 x 4K@30, 6 x 5MP@30, 8 x 4MP@30, 9 x 4MP@25, 10 x 3MP@30, 16 x 1080p@30 H.264: 2 x 4K@30, 4 x 5MP@30, 6 x 4MP@30, 8 x 3MP@30, 14 x 1080p@30
Hard Disk	
SATA	1 SATA interfaces

Capacity	Up to 8TB for each disk (The maximum HDD capacity varies with environment temperature)
Smart	
VCA Detection by Camera	Intrusion Detection, Cross Line Detection, Enter Area, Leave Area, Defocus Detection, Scene Change Detection, Object Left Behind, Object Removed, Auto Tracking, IQ-Motion Detection
VCA Search	Behavior Search, People Counting Report
People Counting	People Flow Counting, Crowd Density Monitoring
Smart Intrusion Prevention (SIP), IMD by Camera	Total 8-ch
General Alarm	
General Alarm	Motion, Tampering, Human Body Detection, Video Loss, Alarm Input, Audio Detection
Alert Alarm	IP Conflict, Network Disconnected, Disk Offline, Disk Abnormal, Illegal Access, Hard Disk Space Low, Hard Disk Full, Recording/Snapshot Abnormal
External Interface	
Network Interface	1x RJ-45 10M/100M self-adaptive Ethernet Interface
USB Interface	Rear panel: 1 x USB2.0, 1 x USB3.0
General	
Power Supply	12V DC Power Consumption: ≤ 6W (without HDD)
Working Environment	-10°C ~ +55°C, Humidity ≤ 90% RH (non-condensing)
Dimensions (W×D×H)	260mm × 222mm × 47mm
Weight (without HDD)	≤ 0.98Kg
Certification	
Certification	CE, FCC, UL, RoHS, WEEE
CE	EN 55032: 2015, EN 61000-3-3: 2013, EN IEC 61000-3-2: 2019, EN 55035: 2017
FCC	Part15 Subpart B, ANSI C63.4

Dimensions



Rear Panel

