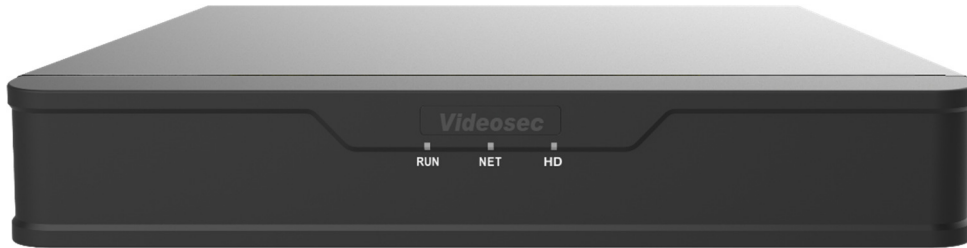


NVR-301-16H



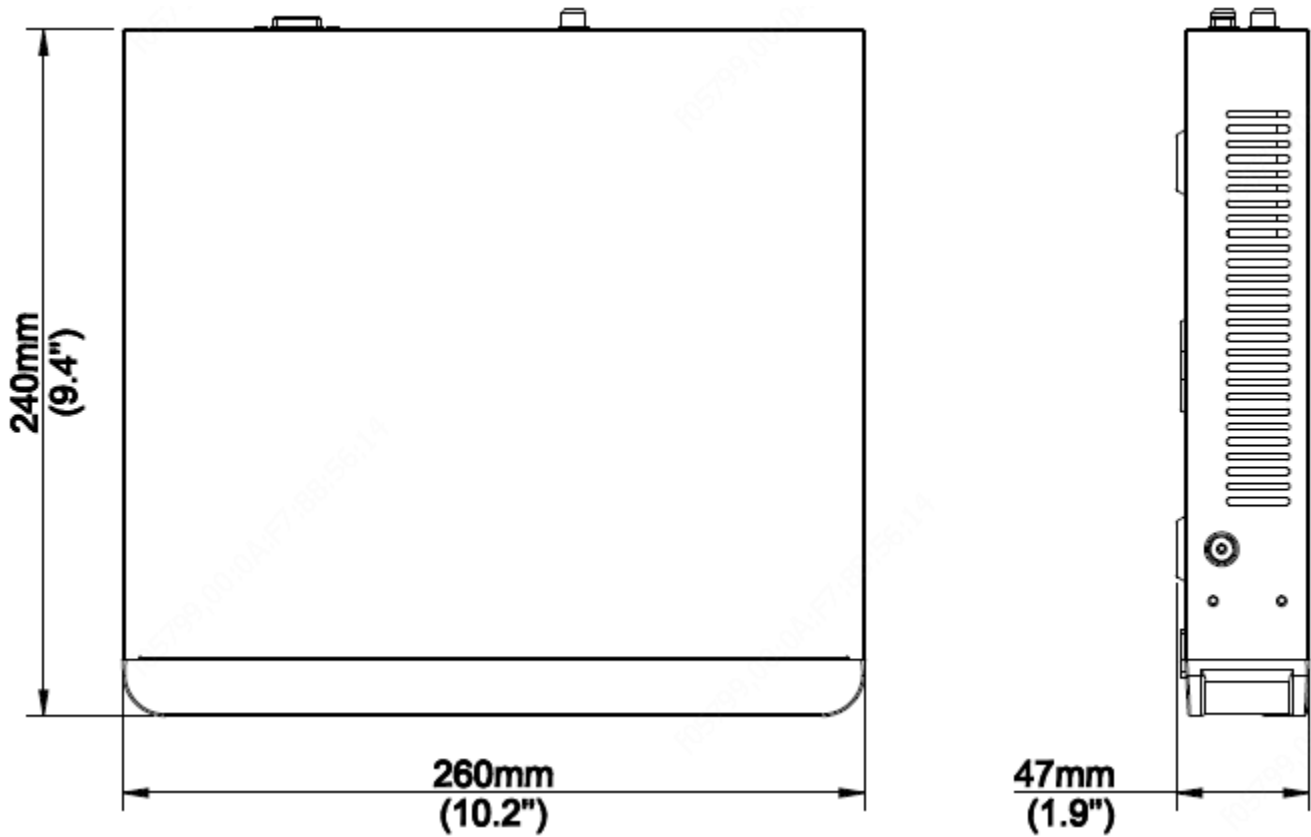
Key Features

- Support Ultra 265/H.265/H.264 video formats
- 4/8/16-channel input
- Third-party IP cameras supported with ONVIF conformance: Profile S, Profile G, Profile T
- Support 1-ch HDMI, 1-ch VGA, HDMI at up to 4K(3840x2160) resolution
- HDMI and VGA simultaneous output
- Up to 4K resolution recording
- 1 SATA HDD up to 10 TB
- Support cloud upgrade

Specifications

Model	NVR301-16H
Video/Audio Input	
IP Video Input	16-ch
Two-way Audio Input	1-ch, RCA
Network	
Incoming Bandwidth	64 Mbps
Outgoing Bandwidth	64 Mbps
Remote Users	128 db
Protocols	P2P, UPnP, NTP, DHCP, PPPoE
Video/Audio Output	
HDMI/VGA Output	HDMI: 3840x2160/30Hz, 1920x1080p/60Hz, 1920x1080p/50Hz, 1600x1200/60Hz, 1280x1024/60Hz, 1280x720/60Hz, 1024x768/60Hz VGA: 1920x1080p/60Hz, 1920x1080p/50Hz, 1600x1200/60Hz, 1280x1024/60Hz, 1280x720/60Hz, 1024x768/60Hz
Recording Resolution	4K/5MP/4MP/3MP/1080p/960p/720p/D1/2CIF/CIF
Synchronous Playback	16 ch
Corridor Mode Screen	3/4/5/7/9/10/12/16
Decoding	
Decoding format	Ultra 265/H.265/H.264
Liveview/Playback	4K/5MP/4MP/3MP/1080p/960p/720p/D1/2CIF/CIF
Capability	1 x 4K@30, 1 x 5MP@30, 2 x 4MP@30, 2 x 3MP@30, 4x 1080p@30, 8 x 720p@30, 16 x D1@30
Hard disk	
SATA	1 SATA interface
Capacity	up to 6TB for each disk
Smart	
VCA Detection	Face detection, Intrusion detection, Cross line detection, Audio detection, Defocus detection, Scene change detection, Auto tracking, Object Left Behind, Object Removed
VCA Search	Face search, Behavior search
Statistical Analysis	People counting
External Interface	
Network Interface	1 RJ45 10M/100M self-adaptive Ethernet Interface
USB Interface	Rear panel: 1 x USB2.0, 1 x USB3.0
General	
Power Supply	12V DC Power Consumption: ≤9 W (without HDD)
Working Environment	-10° C ~ +55° C, Humidity ≤ 90% RH (non-condensing)
Dimensions (WxDxH)	260 × 240 × 47 mm
Weight (without HDD)	1.3 kg

Size



Rear panel

