

## Network Video Recorder

NVR-301-08IQ2



### Features

- Support Ultra 265/H.265/H.264 video formats
- 8-channel input
- Support mainstream cameras of ONVIF conformance (Profile S, Profile G, Profile T) and RTSP protocols
- Support HDMI and VGA simultaneous output
- Up to 12 Megapixels resolution recording
- 1 SATA HDD, max. 10 TB/HDD
- ANR technology to enhance the storage reliability when the network is disconnected
- Mobile app for remote access

## Specifications

Model	<b>NVR-301-08IQ2</b>
<b>Decoding</b>	
Decoding Format	Ultra 265, H.265, H.264
Decoding Capability	Smart Off: 2 x 12MP@30, 2 x 4K@30, 4 x 4MP@30, 8 x 1080P@30 Smart On: 2 x 4K@30, 4 x 4MP@30, 8 x 1080P@30
Decoding Capability Description	The resolution of each channel cannot exceed 8192 pixels in length and 4096 pixels in width
Audio Compression	G.711A, G.711U
<b>Network</b>	
Incoming Bandwidth	80 Mbps
Outgoing Bandwidth	80 Mbps
Remote Users	128
Protocols	TCP/IP, P2P, NTP, DHCP, PPPoE, HTTP, HTTPS, DNS, DDNS, SNMP, SMTP, RTSP, IPv6, IPv4
Browser (Plugin)	IE10, IE11, Chrome 45+, Edge 79+, Firefox 52+
<b>Video/Audio Input</b>	
IP Video Input	8-ch
RCA Audio Input	1-ch
<b>Video/Audio Output</b>	
HDMI Output	4K (3840 × 2160)/30 Hz, 1920 × 1080/60 Hz, 1920 × 1080/50 Hz, 1600 × 1200/60 Hz, 1280 × 1024/60 Hz, 1280 × 720/60 Hz, 1024 × 768/60 Hz
VGA Output	1920 × 1080/60 Hz, 1920 × 1080/50 Hz, 1600 × 1200/60 Hz, 1280 × 1024/60 Hz, 1280 × 720/60 Hz, 1024 × 768/60 Hz
RCA Audio Output	1-ch
Live View Display	1/4/6/8/9/16
Corridor Mode Screen	3/4/5/7/9/10
<b>Two-way Audio</b>	
Two-way Audio	1-ch, RCA (Using the audio input and output)
<b>Snapshot</b>	
FTP/Schedule/Event Snapshot	4-ch snapshot (max. D1 (720 × 576) video resolution, with D1 snapshot resolution)
<b>Recording</b>	
Recording Resolution	12 MP/8 MP/6 MP/5 MP/4 MP/3 MP/1080P/960P/720P/D1/2CIF/CIF

Num of Concurrent Playback	8-ch
<b>Smart</b>	
VCA Detection by IPC	Face Detection, Face Comparison, Vehicle Detection, SIP (Intrusion Detection, Cross Line Detection, Enter Area, Leave Area), IQ Motion Detection (IQM), People Counting (People Flow Counting, Crowd Density Monitoring), Traffic Monitoring
Smart by NVR	Face Detection, Face Comparison, Smart Intrusion Prevention (SIP), IQ Motion Detection (IQM)
VCA Search	Face Snapshot Search, Face Comparison Search, Motor Vehicle Search, Non-Motor Vehicle Search, Human Body Search, General Search, People Counting Report, Heat Map, AcuSearch
Smart by IPC	All channels (up to 8 images/s in total) Face Detection, Face Comparison, Vehicle Detection, SIP, IQM, Traffic Monitoring
Search by Image	Support
Vehicle Picture Library	Up to 5 vehicle picture libraries, with up to 25,000 vehicle pictures in total
SIP by NVR	2-ch
IQM by NVR	4-ch
<b>Alarm</b>	
General Alarm	Defocus Detection, Scene Change Detection, Object Left Behind, Object Removed, Auto Tracking, Motion Detection, Tampering, Human Body Detection, Video Loss, Alarm Input, Audio Detection
Alert Alarm	IP Conflict, Network Disconnected, Disk Offline, Disk Abnormal, Illegal Access, Hard Disk Space Low, Hard Disk Full, Recording/Snapshot Abnormal
<b>GUI Language</b>	
GUI Language	Languages: English, Hungarian, Slovak, Croatian, Serbia, Romanian, Italian, Slovenia
<b>Hard Disk</b>	
SATA	1 SATA Interfaces
Capacity	Up to 10 TB for each HDD (The maximum HDD capacity varies with environment temperature)
<b>External Interface</b>	
Network Interface	1 RJ45 10 M/100 M self-adaptive Ethernet Interface
USB	Rear panel: 1 × USB2.0, 1 × USB3.0
Power Supply	DC 12 V/2 A
<b>Working Environment</b>	
Working Temperature	-10 °C ~ +55 °C
Working Humidity	≤ 90% RH (non-condensing)
Power Consumption (without HDD)	≤ 12W

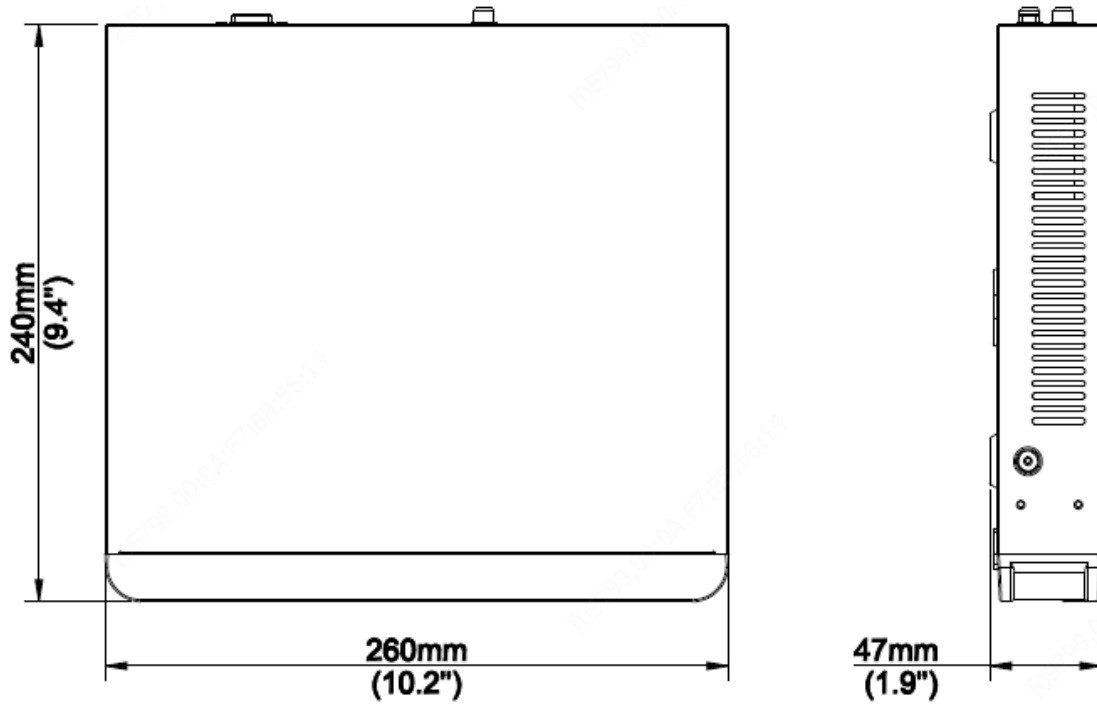
### Dimensions

Weight (without HDD)	≤ 2kg
Height	1U
Dimensions	260mm × 222mm × 47mm

### Certification

Certification	CE; FCC; UL; RoHS; WEEE
FCC	Part15 Subpart B

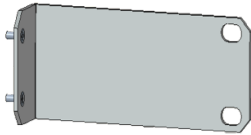
## Dimensions



## Accessories

RM-1U-260

1 HDD 1U NVR Rack Mount



## Rear Panel

