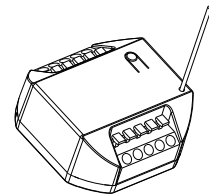


# Videosec®



## KRC2303-W

### INSTRUCTIONS

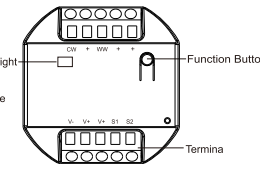
#### WiFi CCT LED STRIP CONTROLLER

#### Introduction

This WiFi CCT LED strip controller is able to be controlled by Wireless Kinetic Switch, app and smart speaker including Amazon Alexa and Google Home. It is able to be connected to traditional light switch. When it set to Single Color Mode, this controller is able to dim the single color LED strip.

#### Terminals

V+ : Input positive pole  
V-: Input negative pole  
S1/S2 : Traditional switch input  
CW: Adjust cold color, output negative pole  
WW: Adjust warm color, output negative pole  
+ : Output positive pole



#### Product Parameters

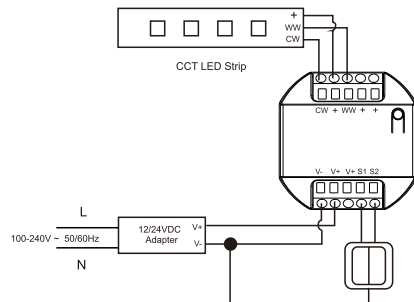
Default mode: CCT controller  
Rated voltage: DC12-24V  
Rated current: 6A/channel (Total 12A)  
Rated Power: 144W( DC 12V)  
288W(DC 24V)

Working Temperature: -20°C~+55°C  
Storage capacity: Up to 10 wireless kinetic switches  
Note: the effective distance is measured by environmental condition will affect the actual data of use.

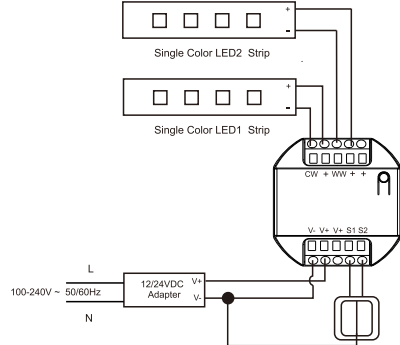
Control distance: 80m(outdoor), 25m(indoor)  
Working Frequency: RF433MHz & WiFi 2.4GHz  
Dimming method: PWM  
Sensitivity: -110dbm

#### Wiring method

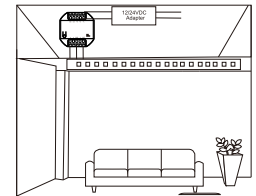
For CCT LED Strip



For Single Color LED Strip



#### Installation position



#### Tuya APP Download

The free Tuya App is required to operate your Wi-Fi internet using a Wi-Fi network

#### Method 1:

1. Open the App Store/Google Play on your phone
2. Search for „Tuya“ in the App Store or Google Play
3. Download the Tuya App to your phone



#### Method 2:

Or you can download the app using the QR code below:



Android



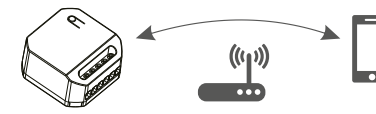
iOS

#### Device Pairing with the APP

The initial setup must be performed using your 2.4GHz Wi-Fi network (5GHz Wi-Fi is not supported). Both the phone and the controller must connect to your network.

1. After downloading the APP follow the prompts to register the account
2. Turn on power to the controller and the red indicator light enters in fast flashing mode. If the light flashes differently or if you want to reset the controller press the pairing button for 10 seconds - the light will change from slow flashing to fast flashing to still. Release the button.

3. Open the "My Home" page of the Tuya App, and click "+" on the upper right of the page.
4. Click "Light Control", select „CCT LED strip controller (WiFi+RF)“, follow the instructions to operate it.
5. After successfully adding the receiver to the APP you can find the device in the "My Home" list. Lights can be controlled through the App from wherever in the world and smart scenes can be set.



Using Amazon Alexa/Google Home to control your Mini Wi-Fi Controller

Note: We would recommend naming the devices in your Tuya App something that is easy for Alexa or Google Home to understand.

In order to integrate the Tuya app with Amazon Alexa/Google Home you need (see next page):

- 1) Amazon Alexa APP / Google Home APP
- 2) Amazon Alexa / Google Home account (users need to register their own account)
- 3) Echo, Echo Dot, Tap or other Amazon voice-operated devices.
- 4) Google Home, Google Home Mini or other Google voice-operated devices.

#### Enable Smart Life skill/action in your Alexa / Google Home APP

Search for "Smart Life" skill and add it to the Alexa APP "Smart Home" skills. For Google Home search for "Smart Life" action and add it to Home Control. Enable the skill/action in your Alexa /Google APP and input the name and password used to register the Kinetic switch APP to link it with Alexa /Google APP. Voice control can be used now to control the WiFi device such as: "Alexa/Ok Google, turn on/off [kitchen light]"

#### Kinetic Switch Pairing Method

a controller can be operated by a maximum of 10 separate switches, a switch can pair an unlimited number of controllers.

#### App Method

Enter the App page, click "Pairing" -> "Start Pairing". After the App page displays "waiting for pairing", press the corresponding button of the wireless switch that needs to be paired. This will complete the pairing. The App will prompt "Pairing succeeded" after the pairing is completed.

#### Physical Wireless Switch Method

1. Press the function button for 3 seconds and the indicator light begins to flash slowly. Release the button to enter the single pairing state. (Fig.1)
2. Press the wireless kinetic energy switch and the indicator light of the controller will go out, which means that the pairing is successful. (Fig.2)

#### Traditional Hardwired Switch Method

After the receiver is powered on (within 2 minutes), press the hardwired switch for 5 times (within 2 seconds). The light will start flashing, indicating pairing mode. At this time, press the wireless kinetic switch once and the light will stop flashing. The pairing is now completed. If the receiver is powered on for more than 2 minutes it cannot enter the pairing mode through traditional switch.

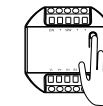


Fig.1

Press for 3 seconds to enter pairing mode

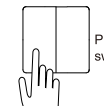


Fig.2

Press the wireless switch once

If you need to add more switches to the same controller please repeat the above process; each controller can store up to 10 switches, pairing in formation.

After pairing with 2 gang wireless kinetic switch, press each button to turn on/off. Press and hold the left button to dim the brightness, press and hold right button to adjust color temperature.



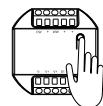
#### Clear Pairing Information

#### App Method

Enter the App page, click "Pairing"->"Clear Pairing", and select the corresponding channel. After the clearing is completed, App will prompt "Clearing Successful".

#### Physical button Method

To remove the controller stored pairing information press function button for 12 seconds until the indicator light goes out - the pairing information will be cleared.



Press the button for 12 seconds and the light will flash fast, then still and then it goes out.

#### Clear WiFi Connection

#### App Method

Enter the device interface in the APP, click the button in the upper right corner, select the bottom "Remove device", and then select "Disconnect and wipe data". The dimmer module can be removed from the intelligent network.

#### Physical button Method

Press and hold the function button for 10 seconds and indicator light will flash and stay on, then release the button, the indicator will start fast flashing, which means WiFi connection is removed.

#### Bridge Mode

Turn on the bridge mode to expand the control distance: Press and hold function button for 7 seconds and indicator will flash to fast flash and release the button, after couple of seconds, the indicator will flash 1 time every 2 seconds, which means the bridge mode is activated. If you need to deactivate this mode, do this again.

#### Mode Shift

This controller is able to control CCT LED strip and single color LED strip (CCT is default). Mode shift can be done by APP or function button as below: Press function button 4 times within 1 second, 2 indicators will flash 3 times, this is single color LED mode; Press function button 4 times within 1 second, 2 indicators will flash 1 times, this CCT mode.

#### Scene Mode

There are 4 scene modes in APP: Night, Read, Working, Leisure. User can set any scene on their own.

#### Memory Function

Turn on the Memory Function in app, once the power recover, the status of load will be the same as status before blackout.

#### Others

Timing and countdown function are able to be set in APP

#### Pairing with the APP in AP Mode

light flashes quickly, twice per second) When pairing is not successful in EZ mode, you can enter the AP mode. The steps to switch to AP mode are as follows

1. Press the button for 10 seconds in EZ mode then release the button after the light is still, and it can switch to "AP mode"

2. In AP mode the light will flash slowly, turning on once every two seconds.

3. To switch from AP mode back to EZ mode, press the button for 10 seconds. The indicator light will flash quickly then still. When the light is still release the button.

Once the AP mode is activated open the "My Home" page of the Kinetic Switch App, and click "+" on the upper right of the page. Click "Light Control", select "CCT led strip controller(WiFi+RF)" and enter the Wi-Fi account password and enter the Wi-Fi account password. On the next page tap "EZ Mode" on the upper right corner and select "AP Mode" from the drop down list.

Follow the APP instructions to pair and operate the receiver.

#### Troubleshooting

#### 1. Unable to add device to APP

Make sure the WiFi signal is normal, only support 2.4G network, not 5G network. And check the router connected devices quantity is within its limit. Ensure the mobile phone, router and devices are as close as possible which configuration.

#### 2. Kinetic switch can not control the LED strip connected to controller

Check whether the APP is able to control the LED. If yes, it may be caused by interference of wireless signal, ensure keep the kinetic switch away from any metal materials and keep the switch as close as to the controller.

#### 3. The cold/warm color of CCT LED strip is opposite to what you operate in APP or kinetic switch

It caused by opposite wiring of CW/WW terminals in controller, rewire to solve it.

Certificate / Inspected



Distributor:  
**Euro Tech Corporation Ltd.**  
6724 Szeged, Hungary  
Üstökös str. 12/b  
Web: www.videosec.com