

## KRC2302-W

### Wi-Fi Wireless Dimmer Receiver 0-10V Dimming

#### 1. Product Description

Wi-Fi Wireless Dimmer supporting 0-10V single&dual color temperature dimming.

This device can control light and dimming by Tuya App and Vidosec self-powered wireless kinetic switch. It reserves the input terminals for traditional switches, and can control the light by the original traditional switches. It is mounted in the box of switch/socket (European standard box), light panel, etc. Through the smart speaker, it can achieve ON/OFF and dimming by voice control. (Smart speakers like Google Assistant, Amazon Alex).

#### 2. Features

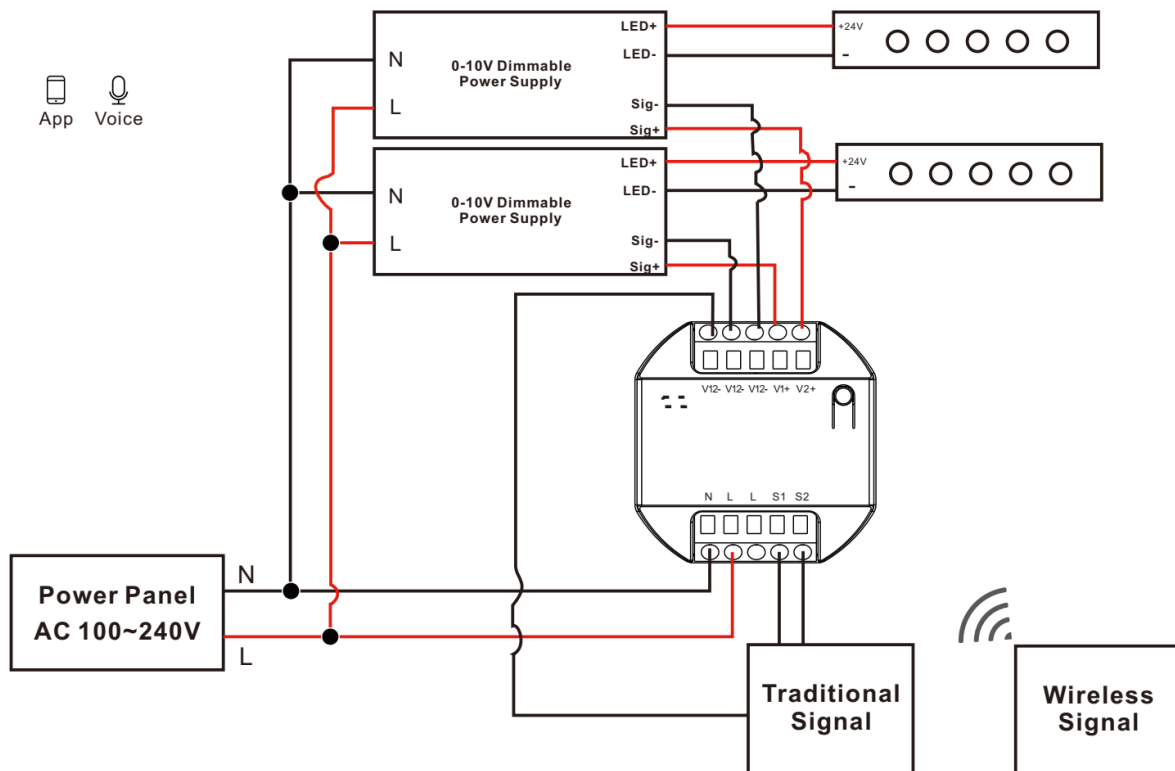
- 0-10V Dimming Control
- Single & Dual Color Temperature Dimming
- Dual-way Control
- Wireless & Battery-Free
- Ultra-small Size
- Additional Wired Switch Input
- Smart Control (App & Voice)
- Upgrade Traditional Wired Devices to Intelligent System

## 3. Technical Parameters

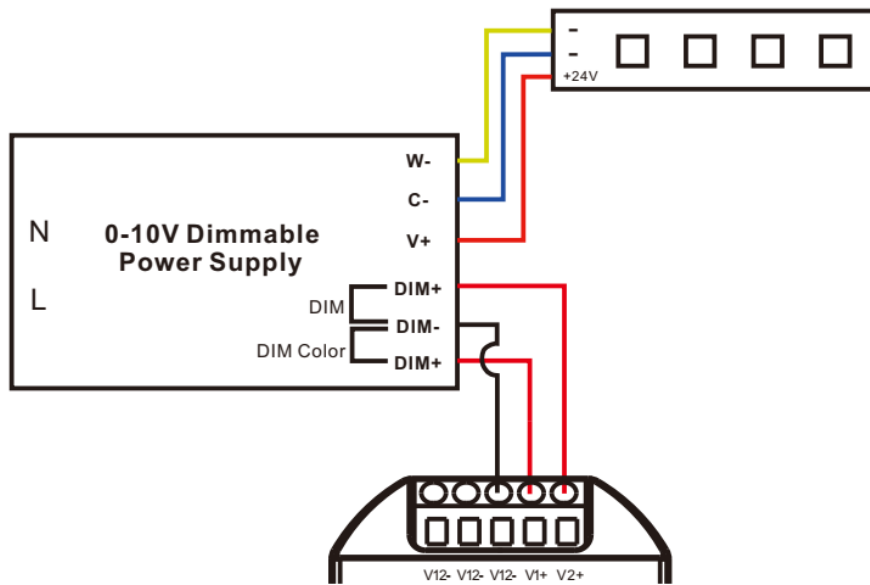
Project	Parameters
Product model	<b>KRC2302-W</b>
Radio Frequency	WiFi 2.4G + RF433MHz
Power Supply	AC100V~240V 50/60Hz
Inputs	2 inputs for existing wired switch(es)
Max Load	2way/0~10V/max. 20mA
Operating Range	Up to 80m outdoors, Up to 25m indoors (Depending on building materials)
Operating Temperature	-20°C ~ +55°C
Memory Capacity	Up to 10 kinetic transmitters
Dimensions	L52*W52*H23mm
Standby Power Consumption	≤1W
RF Receive Sensitivity	-110dBm
IP Rating	IP20
Compliant With	EN60669-1:2018 EN IEC55015:2019

## 3. Wiring Diagram

### 3.1 For Single Color temperature LED



## 3.2 For Dual Color temperature LED



## 4. Product Features

### 4.1 Network Method

After the Receiver is powered on, it enters the network configuration (EZ mode) by default, and the LED light flashes quickly (2 flashes per second). If LED light is not in right state, need to reset the device to enter the network configuration mode, follow the steps below: Press the button for 10 seconds, then release the button after the light is still, and when the LED light is flashing quickly, it means that it enters the network configuration state. After entering the network configuration mode, it can add devices through the App of "Tuya Smart" or "Smart Life". After the device is successfully added, it can achieve ON/OFF by App control.

If the controller network cannot be configured successfully in "EZ mode", try "AP mode". Follow the steps to switch to the "AP mode": press the button for 10 seconds in "EZ mode" (When LED light flash quickly), then release the button after the light is still, and it can switch to "AP mode". At this time, the light will turn off once every 2 seconds. If need to switch it from "AP mode" back to "EZ mode", press the button for 10 seconds, then release the button after the light is still.

### 4.2 The pairing method for wireless kinetic switch

There are two pairing methods for pairing with the receiver and the wireless kinetic switch: Ordinary pairing and Directional pairing.

## **4.2.1 Ordinary Pairing**

### **4.2.1.1 App Method**

Enter the App page, click "Pairing" -> "Start Pairing". After the App page displays "waiting for pairing", press the corresponding button of the wireless kinetic switch that needs to be paired. It can complete the pairing. (the App will prompt "Pairing succeeded" after the pairing is completed.)

### **4.2.1.2 Physical button Mode**

Press the button for 3 seconds, the light will enter a slow flashing state (1 flash in 1 second), the receiver enters the status of "waiting for pairing". At this time, press the button of the wireless switch that needs to be paired once, and the light is off, it means that the pairing is completed.

Note: After the pairing is completed, long press button to cycle dimming. If keep pressing the button, the brightness of the light will cycle from the darkest to the brightest for two cycles, and it will stop when the brightness is maximum. Long press for circular dimming, if the time interval between two long presses for dimming is less than 1 second, the dimming direction (brighter or darker) will be reversed.

### **4.2.1.3 Through wired switch**

Within 2 minutes after the controller is powered on, press the wired switch corresponding to the lamp for 5 times (Within 2 seconds), and the load lamp will start flashing, that is, the controller enters the pairing mode. At this time, press the wireless switch once, and the load lamp will stop flashing, which means that the pairing is completed. After controller is powered on more than 2 minutes, the pair mode cannot be triggered by the wired switch.

## **4.2.2 Directional Pairing**

In order to meet the user's habit of using traditional switches, and to ensure the synchronization of the states of multiple wireless receiver in one control and multiple modes, the directional pairing is defined. This pairing method only supports double-buttons or six-buttons rebound switches. The pairing methods are as follows:

### **4.2.2.1 App Method**

Enter App page, click "Pairing" -> "Start Pairing", select the corresponding channel, after the App page displays "waiting for pairing", quickly press any button of the wireless kinetic switch for 4 times within 1 second (the left and right buttons of the rebound switch are a group) to complete the pairing. (App page will prompt "pairing successful" after the pairing is completed.)

### **4.2.2.2 Physical button Mode**

Press the pairing button for 3 seconds, the light will flash slowly, the receiver enters the state of "waiting for pair ". At this time, press any button of the wireless kinetic switch for 4 times (within 1 second), and the light will turn off, it means that the pairing is completed.

### **4.2.2.3 Through wired switch**

Within 2 minutes after the controller is powered on, press the wired switch corresponding to the lamp for 5 times (Within 2 seconds), and the load lamp will start flashing, that is, the controller enters the pairing mode. At this time, press the wireless switch 4 times (within 1 second), and the load lamp will stop

flashing, which means that the pairing is completed. After controller is powered on more than 2 minutes, the pair mode cannot be triggered by the wired switch.

Note: After the pairing is successful, the left and right buttons of the rebound switch are a group, short press the left button is to close, and short press the right button is to open.

### **4.3 Cancel pairing with wireless kinetic switch**

#### **4.3.1 App Method**

Enter the App page, click "Pairing" -> "Clear Pairing", and select the corresponding channel. After the clearing is completed, App will prompt "Clearing Successful".

#### **4.3.2 Physical button Mode**

Press the corresponding button of receiver for 12 seconds, the light will flash-still-off, and then release the button, all information for the wireless kinetic switch that matched with this channel will be cleared.

### **4.4 Clear Network**

#### **4.4.1 App Method**

Enter the app device page and select "Remove Device" to clear the device network configuration

#### **4.4.2 Physical button Mode**

Press the button for 10 seconds, the light is flashing to still, and then release the button, LED will flash quickly, and the devices will be removed from the App.

#### **4.4.3 Through wired switch (Only support push button)**

Within 2 minutes after the controller is powered on, long press anyone wired switch for 15 seconds, and lamp state will be reversed, it means network information of controller is cleared (such as: long press the wired switch 15s, lamp will change from opened to closed, clear network is successful), can add controller through the app at this time. After the controller is powered on more than 2 minutes, the network information of controller cannot be cleared through the wired switch.

### **4.5 Bridge Mode**

Press pairing button on the controller for 7 seconds. LED1 changes from blinking slowly to blinking quickly (blinking twice a second). When blinking quickly, release your hand and the controller enters bridge mode. To disable the bridge mode, repeat the preceding steps.

### **4.6 Wired switch control.**

The controller supports automatic detection of wired switch type (rocker switch or push button): After the controller is powered on, press the wired switch once to set the current wired switch type (for example, if the rocker switch is pressed after the controller is powered on, set the wired switch type to

rocker switch). To reset the wired switch type, power off the controller and then power on it. Repeat the preceding steps.

## 5. Product Size

