

KRC2208-DC

RF Signal Transmitter PCBA Board Product Specifications

1 Product Description

1.1 Product Introduction

The KRC2208-DC Transmitter PCBA Board is a RF signal transmitter with DC input that can be paired with wireless receiver for control of different scenarios. The product is suitable for concealed installation in a switch/socket base box (European standard base box).

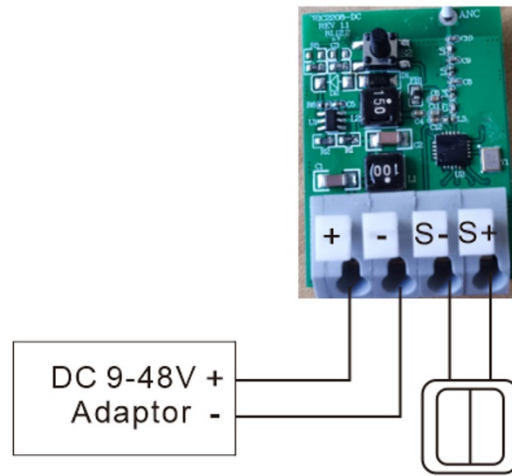
1.2 Product Image



2 Technical Parameters

Project	Parameters
Product Model	KRC2208-DC
Operating Voltage	DC 9-48V
Communication Rate	100kbps
Frequency	RF433MHz
Communication Distance	80m (Outdoor), 30m (Indoor)
Standby Power	< 0.5 W
Wiring Method	Terminals
Installation Method	Built into the base box of the switch/socket.
Product Size	L38 x W27.5 x H18 mm
RF Receive Sensitivity	10dBm
Work Temperature	-20°C~ +55°C
Work Humidity	0-85% (No Condensation)
Storage Temperature	-20°C ~ +85°C
Storage Humidity	0-85% (No Condensation)
Executive Standard	EN60669-1: 2018 / EN IEC55015 :2019
Certification Requirements	CE/ROSH

3 Wiring Diagram



4 Product Features

The signal transmitter, after pairing with the wireless receiving controller, sends ON signal when the S+ and S- connected rocker switches are on; sends OFF signal when the S+ and S- connected rocker switches are off. Each signal transmitter can be paired with multiple wireless receiving controllers.

4.1 Pairing Method for Wireless Controller

Press and hold the pairing button of the controller for 3 seconds, the indicator light will enter a slow flashing state (1 flash per second), i.e. the controller will enter a waiting pairing state, then press the button on the signal transmitter for pairing. When the controller light goes out, the pairing is complete. Pressing the button on the signal transmitter at this point enables the controller to be controlled on and off.