



KRC2204-W

Wireless Dry Contact Controller with Wi-Fi

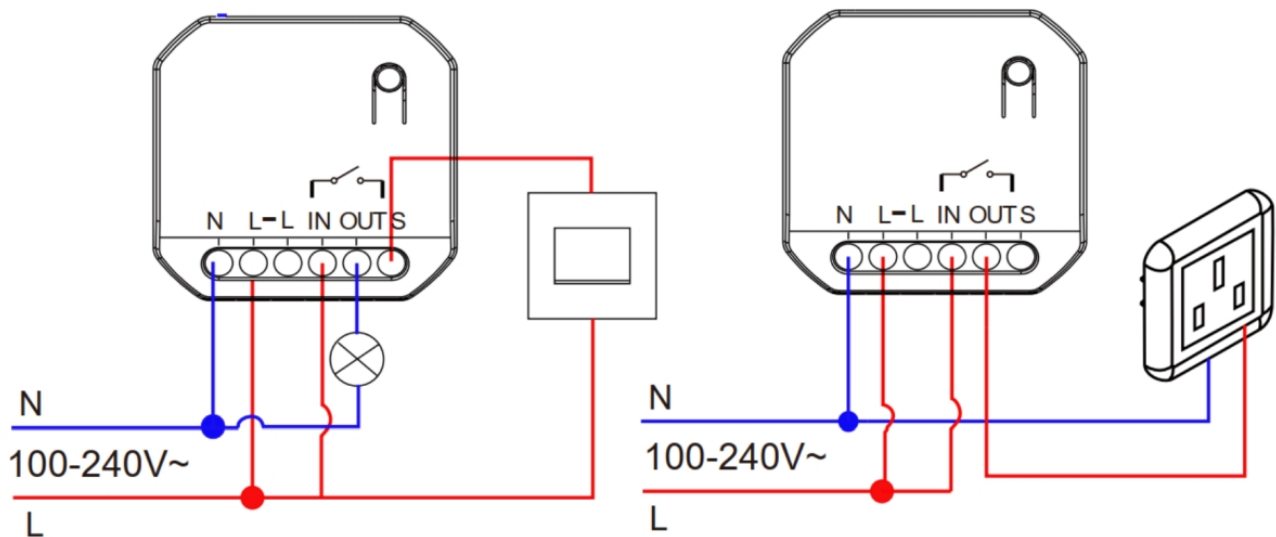
1. Product Description

Dry Contact Controller supports WiFi 2.4G and RF433, which can control the garage door, power door and socket by Tuya App and wireless kinetic switch, the maximum current can reach 10A. It reserves the input terminals for traditional switches, and can be controlled by the original traditional switches. It is mounted in the box of switch/socket (European standard box). Through the smart speaker, it can achieve ON/OFF by voice control. (Smart speakers like Google Assistant, Amazon Alex)

2. Technical Parameters

Project	Parameters
Product model	KRC2204-W
Power supply	AC100V -240V 50/60Hz
Output Channel	1 Channels
Operational current	10A
Radio frequency	Wi-Fi IEEE 802.11 b/g/n 2.4G & RF 433MHz
Operate range	80m (Outdoor) 25m (Outdoor) (depending on building materials)
Consumption	< 1W
Storage Capacity	Each channel can store up to 10 wireless kinetic switch info
Wiring Method	Terminals
Installation Method	the box of switch/socket, light panel
Dimensions	L44*W44*H22mm
RF Receive Sensitivity	-110dBm
Operational temperature	-20°C ~ +55°C
IP Rating	IP20
Certifications and standards	EN60669-1:2018 EN IEC55015:2019

3. Wiring Diagram



L: Input Live Cable

N: Common Neutral Cable

IN: Input Terminal

OUT: Output Terminal

S: Input Terminal for Traditional Switch,
compatible with rocker switch and push button

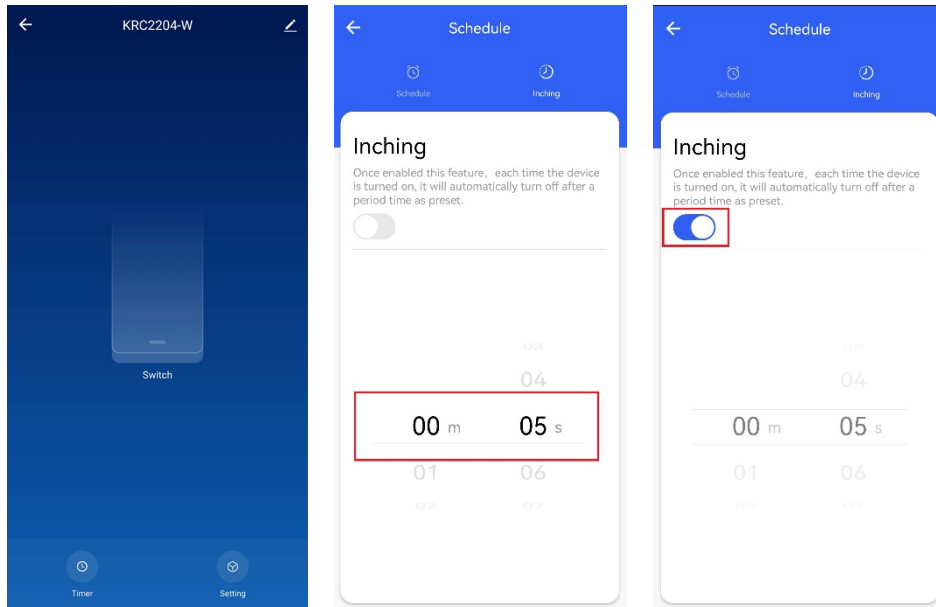
(detect switch type automatically)

4. Product Features

4.1 Inching Mode

After enabled the inching feature, each time the device is turned on, it will automatically turn off after a period time as preset.

4.1.1 Tuya APP



The KRC2204-W can turn on the inching mode through Tuya APP and set the inching time, the time setting range is 1-3600s.

4.1.2 When Inching Mode ON

4.1.2.1 Pair with One-button Switch

Each time the kinetic switch is pressed it should reset the timing of the inching mode instead of turning off the controller.

4.1.2.2 Pair with Dual-button Switch

Ordinary pairing automatically pairs the two buttons directionally, so right button always resets the timing of the inching mode and the left button turns off the controller.

4.1.3 When Inching Mode OFF

4.1.3.1 Ordinary Pairing

Regardless of how many buttons are on the switch, after ordinary pairing the first press of the paired button turns on the controller and the second press turns off the controller.

4.1.3.2 Directional Pairing

Switches with two or more buttons after directional pairing, the left button turns off the controller, the right button turn on the controller.

4.2 Network Method

After the Receiver is powered on, it enters the network configuration (EZ mode) by default, and the LED1 light flashes quickly (2 flashes per second). If LED1 light is not in right state, need to reset the device to enter the network configuration mode, follow the steps below: Press the button for 10 seconds, then release the button after the light is still, and when the LED1 light is flashing quickly, it means that it enters the network configuration state. After entering the network configuration mode, it can add devices through the App of "Tuya Smart" or "Kinetic Switch". After the device is successfully added, it can achieve ON/OFF by App control.

If the controller network cannot be configured successfully in "EZ mode", try "AP mode". Follow the steps to switch to the "AP mode": press the button for 10 seconds in "EZ mode" (When LED1 light flash quickly), then release the button after the light is still, and it can switch to "AP mode". At this time, the light will turn off once every 2 seconds. If need to switch it from "AP mode" back to "EZ mode", press the button for 10 seconds, then release the button after the light is still.

4.3 Pairing Method

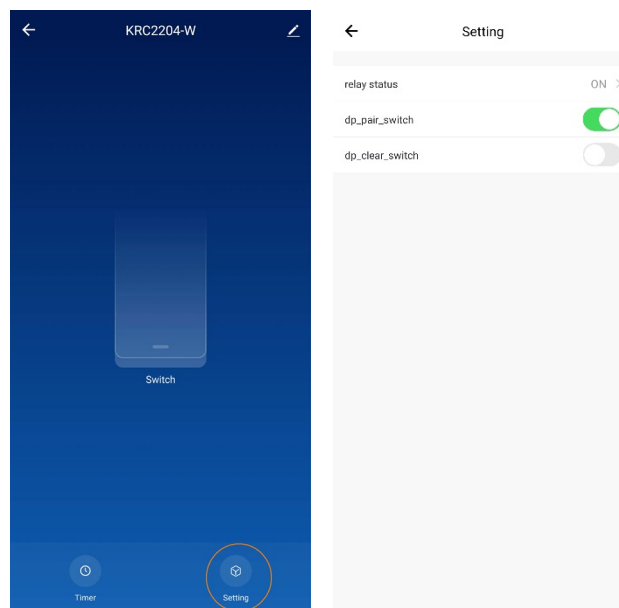
There are two pairing methods for pairing with the receiver and the wireless kinetic switch:

- Ordinary pairing and Directional pairing.

4.3.1 Ordinary Pairing

4.3.1.1 App Method

Enter the App page, click "Setting" -> "Switch Pairing", and slide the paired slider to the right, then press the button of the switch that need to be paired once, and the paired slider returns to its position, indicating successful pairing.



4.3.1.2 Physical button Mode

Press the button for 3 seconds, the light will enter a slow flashing state (1 flash in 1 second is a slow flash. LED1 indicates L1 output, the receiver enters the status of “waiting for pairing”. At this time, press the button of the wireless switch that needs to be paired once, and the light is off, it means that the pairing is completed.

4.3.1.3 Through wired switch

Within 2 minutes after the controller is powered on press quickly the wired switch for 5 times within 2 seconds, and the output load is switched ON/OFF repeatedly. Then the receiver enters the pairing mode. At this time, press the button of the wireless kinetic switch once, and the load stops ON/OFF, it means that the pairing is completed. After controller is powered on more than 2 minutes, the pair mode cannot be triggered by the wired switch.

4.3.2 Directional Pairing

In order to meet the user's habit of using traditional switches, and to ensure the synchronization of the states of multiple wireless receivers in one-control-multiple mode, the directional pairing is defined. This pairing method only supports double-buttons, four-button or six-buttons rebound switches. The pairing methods are as follows:

4.3.2.1 App Method

Enter the App page, click "Setting" -> "Switch Pairing", and slide the paired slider to the right, then press the button of the switch that need to be paired four time within 1 second, and the paired slider returns to its position, indicating successful pairing.

4.3.2.2 Physical button Mode

Press the pairing button of the receiver for 3 seconds, the light will enter a slow flashing state, the receiver enters the status of “waiting for pairing”. At this time, press the button of the wireless switch that needs to be paired four time within 1 second, and the light is off, it means that the pairing is completed.

4.3.2.3 Through wired switch

Within 2 minutes after the controller is powered on, press quickly the wired switch for 5 times within 2 seconds, and the output load is switched ON/OFF repeatedly. Then the receiver enters the pairing mode. At this time, press the button of the wireless kinetic switch four times within 1 second and the load stops ON/OFF, it means that the pairing is completed.

4.3.3 Special Switch Pairing

4.3.3.1 Pairing with Door sensor (D-254)

The door sensor can be paired into two control modes.

- (1) Open door open mode: after the controller enters the pairing, the door sensor will be pressed down (i.e., close the door after installation), the pairing will be closed by pressing down (close the door), and opened by popping up (open the door), and this mode is mostly used for light control.
- (2) Close door open mode: after the controller enters the pairing, the door sensor will pop up (i.e. open the door after installation), pairing into the press (close the door) to open, pop up (open the door) to close, this mode is mostly used for air conditioning, electric heater and other control.

The controller can be paired with more than one door sensor to use, when paired with more than one door sensor, the first door sensor's paired control mode shall prevail.

For door sensors in open door open mode, the controller will turn on as long as one door sensor is in the pop-up state (open door state), and the receiver will turn off after all door sensors are closed.

For door sensors in close door open mode, the receiver will turn on after all door sensors are closed, and will turn off as long as one door sensor is in the pop-up state.

Note: When the paired controller is turned on inching mode, and turned on by the door sensor, it also performs the inching function and turn off automatically after a preset time.

4.4 Cancel Pairing with Wireless Kinetic Switch

4.4.1 App Method

Enter the App page, click "Setting" -> "Clear Switch", and slide the clear slider to the right, then the clear slider returns to its position, indicating successful clearing.

4.4.2 Physical button Mode

Press the pairing button of receiver for 12 seconds, the light will flash-still-off, and then release the button, all information for the wireless kinetic switch that matched will be cleared.

4.5 Clear Network

4.5.1 App Method

Enter the app device page and select "Remove Device" to clear the device network configuration.

4.5.2 Physical button Mode

Press the button for 10 seconds, the light is flashing to still, and then release the button, LED1 will flash quickly, and the devices will be removed from the App.

4.5.3 Through wired switch (Only support push button)

Within 2 minutes after the controller is powered on, long press wired switch for 15 seconds, and output load state will be reversed, it means network information of controller is cleared (such as: long press the wired switch 15s, lamp will change from opened to closed, clear network is successful), can add controller through the app at this time. After the controller is powered on more than 2 minutes, the network information of controller cannot be cleared through the wired switch.

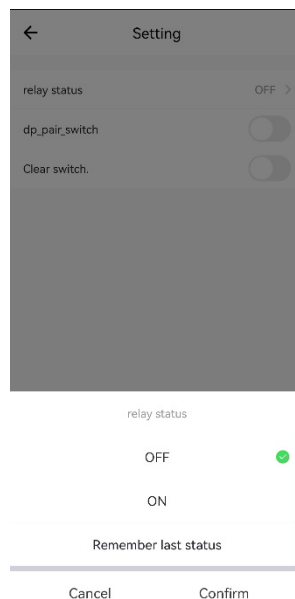
4.6 Bridging Mode

Press the button for 7 seconds, LED1 light changes from slow flashing to fast flashing (2 flashes per second), and release the button when it flashes quickly, and it enters the bridging mode. At this time, the light flashes once every 2 seconds. If need to exit the bridging mode, just repeat the above steps.

4.7 Wired switch control

The controller supports automatic detection of wired switch type (rocker switch or push button): After the controller is powered on, press the wired switch once to set the current wired switch type (for example, if the rocker switch is pressed after the controller is powered on, set the wired switch type to rocker switch). To reset the wired switch type, power off the controller and then power on it. Repeat the preceding steps.

4.8 Relay Status



Tuya APP

The default relay state of the controller is off, support the use of Tuya APP to set the relay state: OFF, ON, Remember last status. Enter the device interface in the app, click on “Settings” -> “Relay Status”, select the desired option and click “Confirm”, then the setting is successful. Set “Remember last status” to restore the controller to the state before power-off after power-on.

Note: The Inching Mode has an effect on the “Remember last status”. If the inching mode is on, after the relay status of the device is set to “Remember last status”, the status before power-off is on, and after power-on the device will appear to be on first and off after a while.

5. Installation Diagram



the box of switch

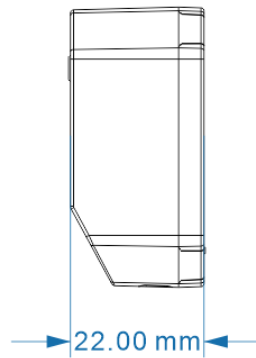
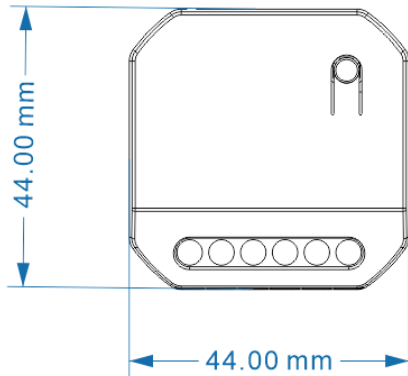


the box of socket



light panel

6. Dimensions



7. Application scene

