

## KRC2201-DA

### RF Dali Converter Product Specification

#### 1 Production Description

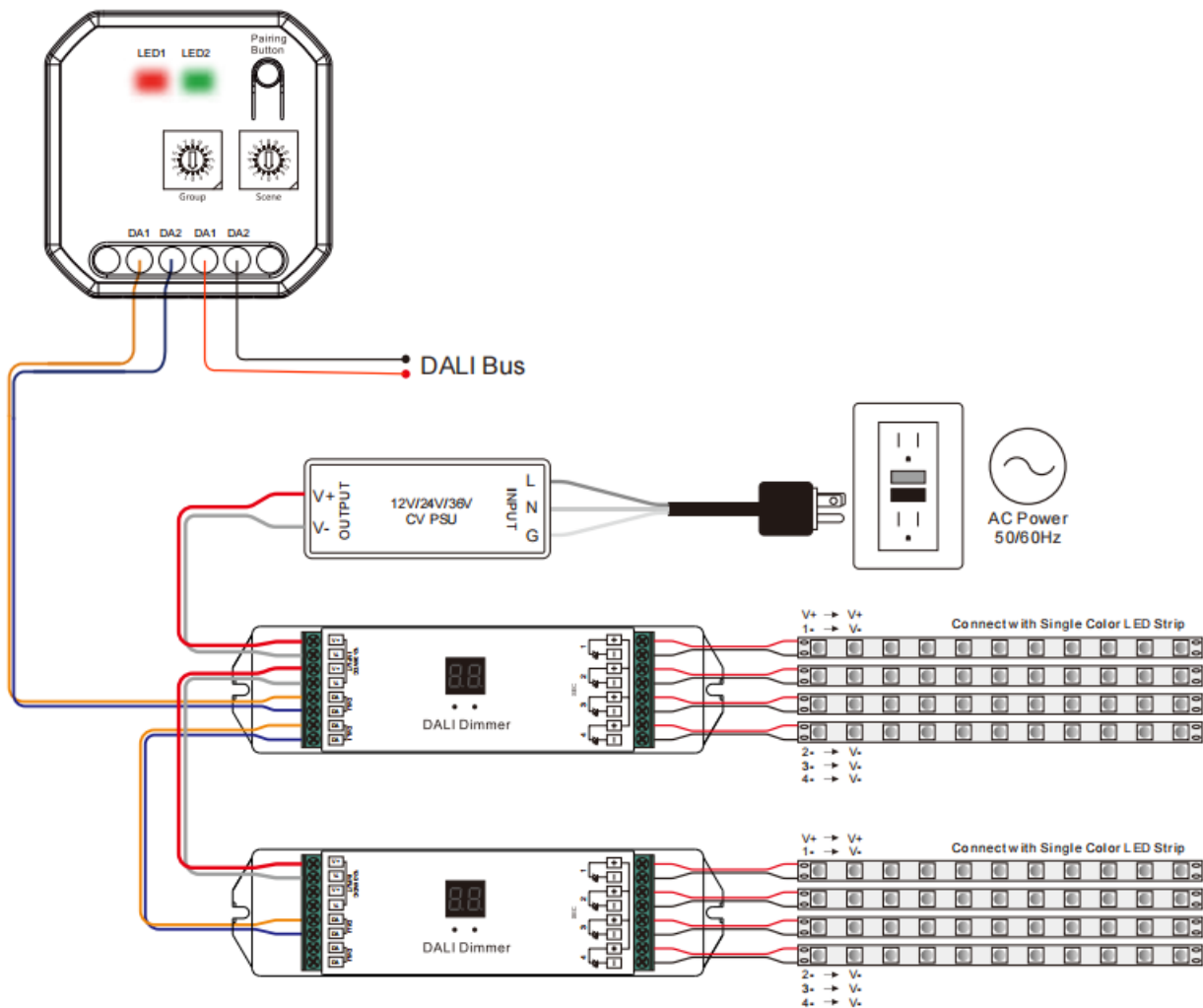
##### 1.1 Product Overview

RF Dali Converter is a product that connects wired and wireless lighting control solutions, the power supply is provided by Dali bus and outputs Dali signal. Pairing with wireless kinetic switch, users control Dali devices more convenient and flexible.

#### 2 Technical Parameters

Project	Parameters
Power Supply	Dali Bus
Output Signal	Dali Signal
Power Consumption	<10mA
Operate Range	25 meters (Indoor)
Dali Consumption	<4mA
Storage Capacity	Total 20 Wireless Kinetic Switches Info
Wiring Method	Terminals
Installation Method	Sticker
RF Receive Sensitivity	-110dBm
Operational Temperature	0~40°C
Relative Humidity	8%~80% RH
IP Rating	IP20
Certifications & Standards	IEC62386

## 3 Wiring Diagram



## 4 Product Features

### 4.1 Pairing Wireless Kinetic Switch

There are two rotary switches: "Group" and "Scene". The rotary switch is used to set the starting group or scene number from 0~F, total 16 states.

After power on, set the starting "Group" and "Scene" numbers. Press the pairing button for 3 seconds and then release, the red LED indicator light will start flashing once per second. And the RF Dali Converter will enter the pairing status. At the same time, press the wireless kinetic switch button once, the indicator light will turn OFF, the pairing is completed.

### 4.1.1 Set starting Group number via rotary switch:

- When the rotary switch arrow position is at 0, a paired wireless kinetic switch controls all 16 groups of devices through broadcast.
- When the rotary switch arrow position is at X except 0 (1~F), a paired wireless kinetic switch controls X-1 group Dali devices.

Please refer to the detailed Group setting table as follows:

Rotary Switch Position	0	1	2	3	4	5	6	7	8	9	A	B	C	D	E	F
Dali Group	Broadcast	0	1	2	3	4	5	6	7	8	9	10	11	12	13	14

Note: the Dali slave controllers on the circuit shall be assigned to one or more Dali Groups by a Dali mater first.

### 4.1.2 Set starting Scene number via rotary switch:

- When the rotary switch arrow position is at X (0~F), a paired wireless kinetic switch controls Dali scene X+1.

Please refer to the detailed scene setting table as follows:

Rotary Switch Position	0	1	2	3	4	5	6	7	8	9	A	B	C	D	E	F
Dali Scene	1	2	3	4	5	6	7	8	9	10	11	12	13	14	15	16

Up to 20 wireless kinetic switches can be paired with RF Dali Converter. If the number of times is exceeded, the information of the first wireless kinetic switch paired will be overwritten.

## 4.2 Clear Pairing

Press the pairing button for 7 seconds and then release, the red LED indicator light will start flashing twice per second, and the paired wireless kinetic switch information of the rotary switch (both Group & Scene) will be cleared, and then the indicator light will turn OFF.

Press the pairing button for 10 seconds to clear all paired wireless switch information. The red indicator light goes from being constantly on 3 seconds, and finally turns OFF.

### 4.3 Group Control (Non-Scene)

Set the Group rotary switch position, press the pairing button for 3 seconds and then release, the red LED indicator will start flashing once per second, at this time press the pairing button twice quickly and the green indicator light is constantly on. Press the wireless kinetic switch once, the indicator light will turn OFF, then the pairing is completed. At this time, short press to control ON/OFF of one group devices.

Note: In this case, only supports the switches of two-button or four-button or six-button. One of the left buttons controls OFF (long press dim-) and another right button controls ON (long press dim+).

### 4.4 Default Setting

After power on, the default brightness is 75% when turn ON the switch for the first time. After pairing the wireless kinetic switch, the red indicator light indicates the output status. Press the wireless kinetic switch once and the indicator light flashes once, the action is completed.

In Scene mode, a paired wireless kinetic switch performs the scene function set by the Dali Master, in this case, the lights cannot be turned OFF by repeated press the button (The paired wireless kinetic switch is pressed each time, the same dimming command (brightness) is acted).

In Group mode, a paired wireless kinetic switch can control one or more groups Dali devices.

## 5 Application

RF Dali Converter is a fusion of wired lighting solution and wireless lighting control solution, which can be applied in many scenarios such as commercial office, public building, etc. Compatible with the original wiring lighting control system, it has more flexibility, no wiring, short construction period and effective energy saving.

