

4MP Starlight Intelligent Hybrid Illuminators ColorHunter VF Bullet Network Camera

IPW-2324IQ-28Z-SWA



Key Features



- High quality image with 4MP, 1/1.8" CMOS sensor
- 4MP (2688*1520)@ 30/25fps; 4MP (2560*1440)@ 30/25fps; 3MP (2304*1296)@ 30/25fps; 2MP (1920*1080)@ 30/25fps;
- Ultra 265, H.265, H.264, MJPEG
- Smart intrusion prevention, include cross line, intrusion, enter area, leave area detection
- Based on target classification, smart intrusion prevention significantly reduce false alarm caused by leaves, birds and lights etc., accurately focus on human and, motor vehicle and non-motor vehicle
- Intelligent face capture
- Intelligent People Flow Counting and Crowd Density Monitoring
- Colorhunter technology ensures 24-hour full-color images with 2pcs White LED up to 50m distance
- Smart IR, up to 50m IR distance
- 120dB true WDR technology enables clear image in strong light scene
- Support 9:16 corridor Mode
- Alarm:1 in/1 out, Audio: 1 in/1 out
- Supports 256 G micro SD card
- IK10 vandal resistant
- IP67 protection
- Support PoE power supply

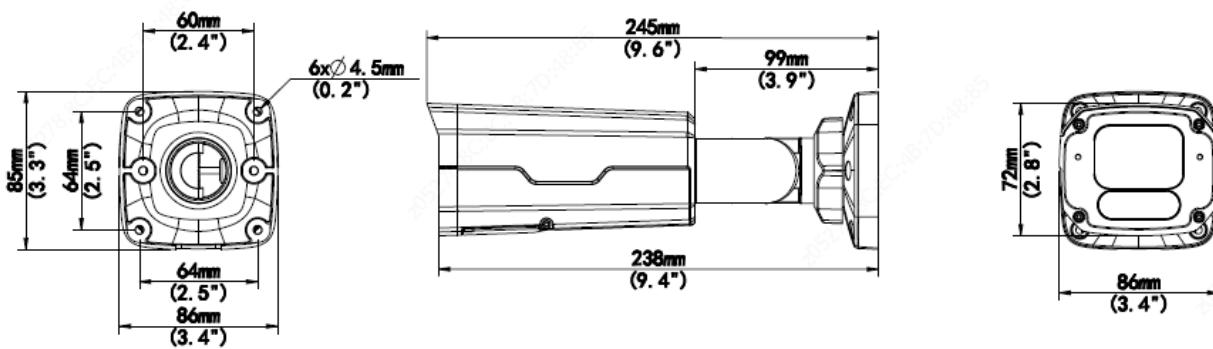
Specifications

| IPW-2324IQ-28Z-SWA | | | | | |
|-------------------------|--|----------------|-------------|-------------------|--------------|
| Camera | | | | | |
| Sensor | 1/1.8", 4.0 megapixel, progressive scan, CMOS | | | | |
| Minimum Illumination | Colour: 0.0005Lux (F1.2, AGC ON) 0Lux with IR/LED on | | | | |
| Day/Night | IR-cut filter with auto switch (ICR) | | | | |
| Shutter | Auto/Manual, 1 ~ 1/100000s | | | | |
| Adjustment angle | Pan: 0° ~ 360° | Tilt: 0° ~ 90° | | Rotate: 0° ~ 360° | |
| WDR | 120dB | | | | |
| S/N | >56dB | | | | |
| Lens | | | | | |
| Lens | 2.8 ~ 12mm, AF automatic focusing and motorized zoom lens | | | | |
| Angle of View (H) | 102.4° ~ 49.2° | | | | |
| Angle of View (V) | 54.7° ~ 27.8° | | | | |
| Angle of View (O) | 106.8° ~ 55.0° | | | | |
| DORI | | | | | |
| DORI Distance | Lens (mm) | Detect (m) | Observe (m) | Recognize (m) | Identify (m) |
| | 2.8 | 43.4 | 17.4 | 8.7 | 4.3 |
| | 12.0 | 186.2 | 74.5 | 37.2 | 18.6 |
| Illuminator | | | | | |
| White LED | 2pcs, up to 50m | | | | |
| IR LED Distance | Up to 50m | | | | |
| IR Wavelength | 850nm | | | | |
| IR On/Off Control | Auto/Manual | | | | |
| Video | | | | | |
| Video Compression | Ultra265, H.265, H.264, MJPEG | | | | |
| H.264 code profile | Baseline profile, Main profile, High profile | | | | |
| Video Stream | Triple streams | | | | |
| Frame Rate | Main Stream: 4MP (2688*1520), Max 30fps; 4MP (2560*1440), Max 30fps; 3MP (2304*1296), Max 30fps; 1080P (1920*1080), Max 30fps; Sub Stream: 720P (1280*720), Max 30fps; D1 (720*576), Max 30fps; 640*360, Max 30fps Third Stream: D1 (720*576), Max 30fps; 640*360, Max 30fps; 2CIF(704*288), Max 30fps; CIF(352*288), Max 30fps; | | | | |
| Video Bit Rate | 128 Kbps~16 Mbps | | | | |
| ROI | Up to 8 areas | | | | |
| OSD | Up to 8 OSDs | | | | |
| Privacy Mask | Up to 4 areas | | | | |
| Image | | | | | |
| White Balance | Auto/Outdoor/Fine Tune/Sodium Lamp/Locked/Auto2 | | | | |
| Image Setting | Image rotation, brightness, saturation, contrast, sharpness, gain adjustable by web browser | | | | |
| Digital noise reduction | 2D/3D DNR | | | | |
| Smart Illumination | Support | | | | |
| Flip | Normal/Vertical/Horizontal/180°/90°Clockwise/90°Anti-clockwise | | | | |
| HLC | Support | | | | |
| BLC | Support | | | | |
| Defog | Digital Defog | | | | |

| Intelligent | |
|----------------------------|--|
| Smart intrusion prevention | Support false alarm filtering: Line crossing detection, Intrusion detection, Region entrance detection, Region exit detection |
| Face capture | Support |
| Statistical Analysis | People counting, support tripwire people counting and area people counting |
| Events | |
| Basic Detection | Motion detection, Tampering alarm, Audio Detection |
| General Function | Watermark, IP Address Filtering, Alarm input, Alarm output, Access Policy, ARP Protection, RTSP Authentication, User Authentication |
| Audio | |
| Audio Compression | G.711 |
| Audio Bitrate | 64 Kbps |
| Two-way audio | Supported |
| Suppression | Supported |
| Sampling Rate | 8KHZ |
| Storage | |
| Edge Storage | Micro SD, up to 256GB |
| Network Storage | ANR, NAS(NFS) |
| Network | |
| Protocols | IPv4, IGMP, ICMP, ARP, TCP, UDP, DHCP, PPPoE, RTP, RTSP, RTCP, DNS, DDNS, NTP, FTP, UPnP, HTTP, HTTPS, SMTP, 802.1x, SNMP, QoS, RTMP, SSL/TLS, SSH |
| Compatible Integration | ONVIF (Profile S, Profile G, Profile T), API, SDK |
| User/Host | Up to 32 users. 2 user levels: administrator and common user |
| Security | Password protection, Strong password, HTTPS encryption, Export operation logs, Basic and digest authentication for RTSP, Digest authentication for HTTP, TLS 1.2, WSSE and digest authentication for ONVIF |
| Client | GuardStation GuardView GuardLive |
| Web Browser | Plug-in required live view: IE9+, Chrome 41 and below, Firefox 52 and below |
| | Plug-in free live view: Chrome 57.0+, Firefox 58.0+, Edge 16+ |
| Interface | |
| Audio I/O | Input: impedance 35kΩ; amplitude 2V [p-p] |
| | Output: impedance 600Ω; amplitude 2V [p-p] |
| Alarm I/O | 1/1 |
| Built-in Mic | Built-in two mics |
| Network | 1 RJ45 10M/100M Base-TX Ethernet |
| Certifications | |
| EMC | FCC CFR 47 Part 15 EN 55032:2015 EN 55024:2010 EN 61000-3-2:2014 EN 61000-3-3-2013 |
| Safety | IEC 62368-1 EN 62368-1 UL 62368-1 |
| Environment | CE-ROHS (2011/65/EU;(EU)2015/863); WEEE (2012/19/EU); REACH (Regulation (EC) No 1907/2006) |
| General | |
| Power | DC 12V±25%, PoE (IEEE 802.3af) |
| | Power consumption: Max 11.5W |

| | |
|------------------------|---|
| Power Interface | Ø 5.5mm coaxial power plug |
| Dimensions (L × W × H) | 245 × 86 × 85mm |
| Weight | 0.9kg |
| Material | Metal |
| Working Environment | -30°C ~ 60°C, Humidity: ≤95% RH (non-condensing) |
| Storage Environment | -30°C ~ 60°C, Humidity: ≤95% RH (non-condensing) |
| surge protection | 6KV |
| Reset Button | Supported |
| Protection | Ingression protection: IP67 Vandal resistant: IK10 |

Dimensions



Accessories

TR-JB07-D-IN



TR-JB06-A-IN



TR-UP06-B-IN

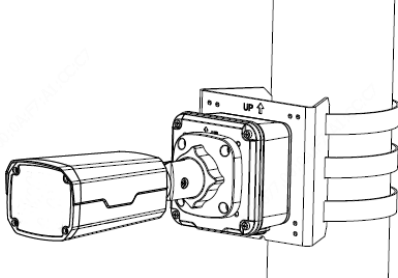
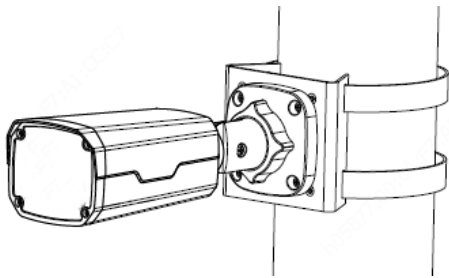


TR-UP06-C-IN



TR-A01-IN



| Junction Mount | Pole Mount |
|---|--|
| TR-JB07-D-IN(TR-JB06-A-IN)+ TR-UP06-C-IN | TR-UP06-B-IN |
|  |  |