

8MP Starlight Intelligent Fixed Active Deterrence Bullet Network Camera

IPW-2128IQ-28WAL



Key Features



Smart

- Smart Intrusion Prevention, include Cross Line, Intrusion, Enter Area, Leave Area detection
- Based on target classification, smart intrusion prevention significantly reduce false alarm caused by leaves, birds and lights etc., accurately focus on human and vehicle.
- Active deterrence: Once an intruder is detected, the camera will trigger strobe lights and audio alarms

Optics

- Day/night functionality
- Smart IR, up to 30m IR distance
- Optical glass window with higher light transmittance
- IR anti-reflection window to increase the infrared transmittance
- 2D/3D DNR (Digital Noise Reduction)

Compression

- Ultra 265, H.265, H.264, MJPEG
- ROI (Region of Interest)
- Triple streams
- Customized OSD

Network

- ONVIF conformance

Structure

- Wide temperature range: -30°C ~ 60°C
- Wide voltage range of ±25%
- IP67
- 3-Axis

Specifications

IPW-2128IQ-28WAL					
Camera					
Sensor	1/2.7", 8.0 megapixel, progressive scan, CMOS				
Lens	2.8mm@F2.0				
DORI Distance	Lens (mm)	Detect (m)	Observe (m)	Recognize (m)	Identify (m)
	2.8	84.0	33.6	16.8	8.4
Angle of View (H)	112.4°				
Angle of View (V)	60.1°				
Angle of View (O)	146.1°				
Adjustment angle	Pan: 0° ~ 360°		Tilt: 0° ~ 90°		Rotate: 0° ~ 360°
Shutter	Auto/Manual, 1 ~ 1/100000s				
Minimum Illumination	Colour: 0.01Lux (F2.0, AGC ON) 0Lux with IR on				
Digital noise reduction	2D/3D DNR				
Day/Night	IR-cut filter with auto switch (ICR)				
S/N	>56dB				
IR Range	Up to 30m IR range				
Wavelength	850nm				
IR On/Off Control	Auto/Manual				
Defog	Digital Defog				
WDR	120dB				
Video					
Video Compression	Ultra 265, H.265, H.264, MJPEG				

H.264 code profile	Baseline profile, Main Profile, High Profile
Frame Rate	Main Stream: 8MP (3840*2160), Max 20fps; 5MP (2944*1656), Max 25fps; 4MP (2560*1440), Max 25fps; 1080P (1920*1080), Max 30fps; Sub Stream: 1080P (1920*1080), Max 30fps; 720P (1280*720), Max 30fps; D1 (720*576), Max 30fps; 640*360, Max 30fps; 2CIF(704*288), Max 30fps; CIF(352*288), Max 30fps; Third Stream: D1 (720*576), Max 30fps; 640*360, Max 30fps; 2CIF(704*288), Max 30fps; CIF(352*288), Max 30fps;
Video Bit Rate	128 Kbps~16 Mbps
9:16 Corridor Mode	Supported
OSD	Up to 8 OSDs
Privacy Mask	Up to 4 areas
ROI	Up to 8 areas
Motion Detection	Up to 4 areas
Image	
White Balance	Auto/Outdoor/Fine Tune/Sodium Lamp/Locked/Auto2
Digital noise reduction	2D/3D DNR
Smart IR	Support
Flip	Normal/Vertical/Horizontal/180°/90°Clockwise/90°Anti-clockwise
Dewarping	Supported
HLC	Supported
BLC	Supported
Audio	
Audio Compression	G.711
Two-way audio	Supported
Suppression	Supported
Sampling Rate	8KHZ
Storage	
Edge Storage	Micro SD, up to 256GB
Network Storage	ANR, NAS(NFS)
Smart	
Smart intrusion Prevention	Cross Line, Intrusion, Enter Area, Leave Area detection; Based on target classification, accurately focus on human and vehicle Active deterrence
Basic Detection	Motion detection, Tampering alarm, Audio Detection
General Function	Watermark, IP Address Filtering, Tampering Alarm, Access Policy, ARP Protection, RTSP Authentication, User Authentication
Network	
Protocols	IPv4, IGMP, ICMP, ARP, TCP, UDP, DHCP, RTP, RTSP, RTCP, DNS, DDNS, NTP, FTP, UPnP, HTTP, SNMP, HTTPS, SMTP, SSL
Compatible Integration	ONVIF (Profile S, Profile G, Profile T), API
Client	GuardStation GuardView GuardLive
Web Browser	Plug-in required live view: IE9+, Chrome 41 and below, Firefox 52 and below Plug-in free live view: Chrome 57.0+, Firefox 58.0+, Edge 16+, Safari 11+
Interface	
Network	1 RJ45 10M/100M Base-TX Ethernet
Built-in Mic	Supported
Built-in Speaker	Supported
Alarm Light	Supported

Certifications

Certifications	CE: EN 60950-1
	UL: UL60950-1
	FCC: FCC Part 15

General

Power	DC 12V±25%, PoE (IEEE 802.3af)
	Power consumption: Max 10.5W
Dimensions (L x W x H)	187x 74 x 74mm
Net Weight	0.41kg
Material	Metal
Working Environment	-30°C ~ 60°C, Humidity: ≤95% RH (non-condensing)
Storage Environment	-30°C ~ 60°C, Humidity: ≤95% RH (non-condensing)
Surge Protection	2KV
Ingress Protection	IP67
Reset Button	Supported

Accessories

TR-JB05-B-IN



TR-UP06-C-IN

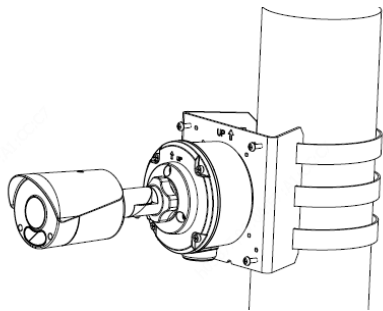


TR-A01-IN



Pole Mount

TR-JB05-B-IN+ TR-UP06-C-IN



TR-JB06-IN+ TR-UP06-C-IN

