

## 4MP Starlight Mini Fixed Bullet Network Camera

IPW-2124LS-40F



### Key Features



### Optics

- Day/night functionality
- Smart IR, up to 50m IR distance
- Optical glass window with higher light transmittance
- IR anti-reflection window to increase the infrared transmittance
- 2D/3D DNR (Digital Noise Reduction)

### Compression

- Ultra 265, H.265, H.264, MJPEG
- ROI (Region of Interest)

### Smart function

- VCA Intrusion Detection Alarm
- Human Body Detection

### Network

- ONVIF Conformance

### Structure

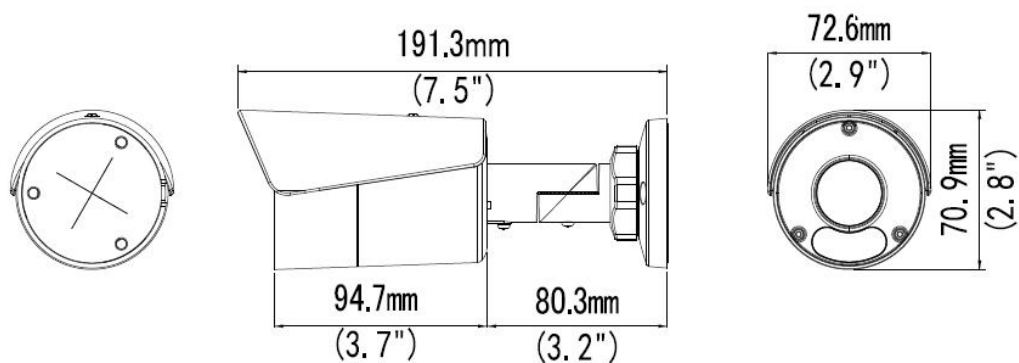
- Wide temperature range: -30°C ~ 60°C
- Wide voltage range of  $\pm 25\%$
- IP67

## Specifications

IPW-2124LS-F40											
<b>Camera</b>											
Sensor	1/3", 4.0 megapixel, progressive scan, CMOS										
Lens	4.0mm@F1.6										
DORI Distance	<table border="1"> <thead> <tr> <th>Lens (mm)</th> <th>Detect (m)</th> <th>Observe (m)</th> <th>Recognize (m)</th> <th>Identify (m)</th> </tr> </thead> <tbody> <tr> <td>4.0</td> <td>90</td> <td>36</td> <td>18</td> <td>9</td> </tr> </tbody> </table>	Lens (mm)	Detect (m)	Observe (m)	Recognize (m)	Identify (m)	4.0	90	36	18	9
	Lens (mm)	Detect (m)	Observe (m)	Recognize (m)	Identify (m)						
4.0	90	36	18	9							
Angle Of View (H)	79.7°										
Angle Of View (V)	41.6°										
Angle Of View (O)	98.0°										
Adjustment Angle	Pan: 0° ~ 360°      Tilt: 0° ~ 90°      Rotate: 0° ~ 360°										
Shutter	Auto/Manual, 1 ~ 1/100000s										
Minimum Illumination	Colour: 0.005Lux ( F1.6, AGC ON) 0Lux with IR										
Day/Night	IR-cut filter with auto switch (ICR)										
Digital Noise Reduction	2D/3D DNR										
S/N	>52dB										
IR Range	Up to 50m IR range										
Wavelength	850nm										
IR On/Off Control	Auto/Manual										
Defog	Digital Defog										
WDR	120dB										
<b>Video</b>											
Video Compression	Ultra 265, H.265, H.264, MJPEG										
H.264 Code Profile	Baseline profile, Main Profile, High Profile										
Frame Rate	Main Stream: 4MP (2688*1520), Max 25fps; Sub Stream: 720P (1280*720), Max 25fps										
Video Bit Rate	128 Kbps~16 Mbps										
OSD	Up to 4 OSDs										
Privacy Mask	Up to 4 areas										
ROI	Up to 4 areas										
Motion Detection	Up to 4 areas										
<b>Image</b>											
White Balance	Auto/Outdoor/Fine Tune/Sodium Lamp/Locked/Auto2										
Digital noise reduction	2D/3D DNR										
Smart IR	Support										
Flip	Normal/Vertical/Horizontal/180°										
Dewarping	Support										
HLC	Supported										
BLC	Supported										

<b>Smart</b>	
Behavior Detection	Intrusion detection (1 area), Human Body detection
General function	Watermark, IP Address Filtering, Tampering Alarm, Access Policy, ARP Protection, RTSP Authentication, User Authentication
<b>Network</b>	
Protocols	IPv4, IGMP, ICMP, ARP, TCP, UDP, DHCP, RTP, RTSP, RTCP, RTMP, DNS, DDNS, NTP, FTP, UPnP, HTTP, HTTPS, SMTP, SSL
Compatible Integration	ONVIF (Profile S, Profile T), API
Client	Guard Station Guard Viewer Guard Live
Web Browser	Plug-in required live view: IE9+, Chrome 41 and below, Firefox 52 and below
	Plug-in free live view: Chrome 57.0+, Firefox 58.0+, Edge 16+, Safari 11+
<b>Interface</b>	
Network	10/100M Base-TX Ethernet
<b>Certifications</b>	
Certifications	CE: EN 60950-1 UL: UL60950-1 FCC: FCC Part 15
<b>General</b>	
Power	DC 12V±25%, PoE (IEEE 802.3af)
	Power consumption: Max 6W
Dimensions(L × W × H)	191.3×72.6×70.9mm
Net Weight	0.5kg
Material	Sun shield: plastic Front cover: plastic Body: metal Bracket: metal Bottom plate: metal
Working Environment	-30°C ~ 60°C, Humidity: ≤95% RH (non-condensing)
Storage Environment	-30°C ~ 60°C, Humidity: ≤95% RH (non-condensing)
Surge Protection	2KV
Ingress Protection	IP67

## Dimensions



## Accessories

TR-JB06-IN



TR-JB05-B-IN



TR-UP06-C-IN



TR-A01-IN



Pole Mount	
TR-JB06-IN+ TR-UP06-C-IN	TR-JB05-B-IN+ TR-UP06-C-IN