

12MP Intelligent IR Fisheye Dome Camera

IPF-868IQ-F18-C



Key Features



- High quality image with 12MP, 1/1.7" CMOS sensor
- Max 4000*3000 resolution
- Ultra265, H.265, H.264, MJPEG
- Ultra wide angle lens, 360° panoramic image
- Embedded infrared light, 360° fill-in light, up to 15m IR distance
- Multiple decoding modes, supports software and hardware modes, provides interactive dynamic view
- Heat map, based on deep learning algorithms, the date of moving objects is counted in real time on an intuitive color map
- Built-in microphone & speaker, two-way talk supported
- Supports 256 G Micro SD card
- IK10 vandal resistant
- IP67 protection

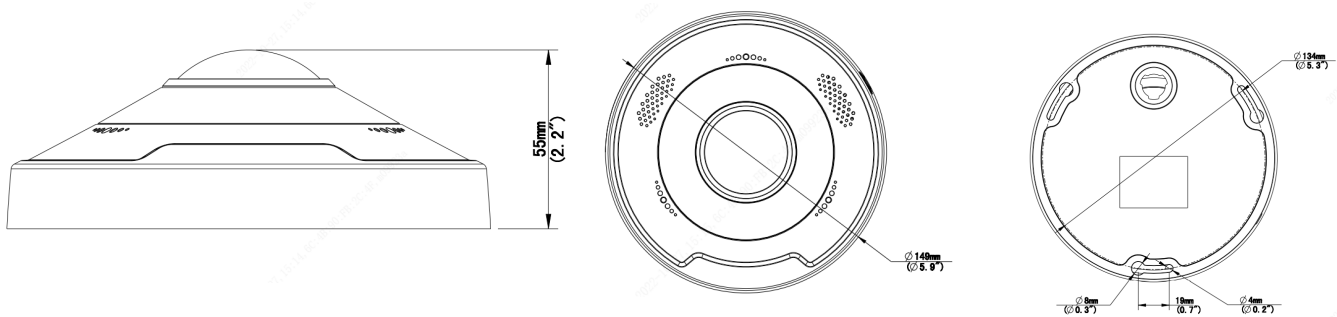
Specifications

IPF-868IQ-F18-C					
Camera					
Sensor	1/1.7", 12.0 megapixel, progressive scan, CMOS				
Minimum Illumination	Colour: 0.03Lux (F2.0, AGC ON) 0Lux with IR				
Day / Night	IR-cut filter with auto switch (ICR)				
Shutter	Auto/Manual, shutter time: 1 ~ 1/100000s				
WDR	DWDR				
S/N	>52dB				
Lens					
Lens type	1.8mm@F2.0				
Field of View	360°				
DORI					
DORI Distance	Lens (mm)	Detect (m)	Observe (m)	Recognize (m)	Identify (m)
	1.8	43.8	17.5	8.8	4.4
Illuminator					
IR Range	Up to 15m IR range				
wavelength	850nm				
IR On/Off Control	Auto/Manual				
Video					
Compression	Ultra265, H.265, H.264, MJPEG				
H.264 code profile	Baseline profile, Main Profile, High Profile				
Video stream	Triple streams				
Main Stream	Fisheye View: 12MP(4000*3000)@20fps; 3000*3000@20fps; 2560*2560@25fps; Panorama View: 12MP(4000*3000)@20fps; 3000*2000@20/25fps; 3000*1500@20/25fp; PTZ View: 1920*1080@20/25fps;				
Sub Stream	Fisheye View: 2000*1500@20fps; 2000*2000@25fps				
Third Stream	Fisheye View: D1(720*576)@20/25fps; CIF352*288)@20/25fps;				
Video Bit Rate	128 Kbps~16 Mbps				
OSD	Up to 8 OSDs				
Privacy Mask	Up to 4 areas				
ROI	Up to 8 areas				
Live View Display					
Mount Type	Support table, wall, and ceiling				
Hardware Decoding	Ceiling mount: fisheye view, fisheye + 4PTZ, horizontal panorama view、vertical panorama view Table mount: fisheye view, fisheye + 4PTZ, , horizontal panorama view、vertical panorama view Wall mount: fisheye view, fisheye + 4PTZ, panorama view				
Software Decoding	Ceiling mount: fisheye view, 360° panorama + 1PTZ, 180° panorama view, fisheye+ 3PTZ, fisheye+4PTZ, fisheye+8PTZ,360° panorama + 6PTZ Table mount: fisheye view, 360° panorama + 1PTZ, 180° panorama view, fisheye+ 3PTZ, fisheye+4PTZ, fisheye+8PTZ,360° panorama + 6PTZ Wall mount: fisheye view, 180° panorama view, 180° panorama view+3PTZ, 180° panorama view+4PTZ, 180° panorama view+8PTZ				
Image					
White Balance	Auto/Outdoor/Fine Tune/Sodium Lamp/Locked/Auto2				

Digital noise reduction	2D/3D DNR
Smart IR	Support
Flip	Normal/Flip Vertical/ Flip Horizontal/180°
BLC	Support
Defog	Digital Defog
Intelligent	
Smart intrusion prevention	Cross Line detection, Intrusion detection
Statistical Analysis	Heat map(Working with management platform)
Events	
Basic Detection	Motion detection, Audio detection, Tampering alarm
General Function	Watermark, IP Address Filtering, Tampering Alarm ,Alarm input, Alarm output, Access Policy, ARP Protection, RTSP Authentication, User Authentication
Audio	
Audio Compression	G.711U, G.711A
Audio Bitrate	64 Kbps
Two-way audio	Support
Suppression	Support
Sampling Rate	8KHZ
Storage	
Edge Storage	Micro SD, up to 256GB
Network Storage	ANR, NAS(NFS)
Network	
Protocols	IPv4, IPv6, IGMP, ICMP, ARP, TCP, UDP, DHCP, PPPoE, RTP, RTSP, RTCP, DNS, DDNS, NTP, FTP, UPnP, HTTP, HTTPS, SMTP, 802.1x, SNMP, QoS
Compatible Integration	ONVIF (Profile S, Profile G, Profile T), API,SDK
User/Host	Up to 32 users. 3 user levels: administrator, common user and operator
Client	GuardStation GuardView GuardLive
Web Browser	Plug-in required live view: IE 10 and above, Chrome 45 and above, Firefox 52 and above, Edge 79 and above
Interface	
Audio I/O	Input: impedance 35kΩ; amplitude 2V [p-p]
	Output: impedance 600Ω; amplitude 2V [p-p]
Alarm I/O	2/1
	Multiple Alarm linkage editable
Built-in Mic	Two Mics
Built-in Speaker	Support
Serial	1x RS485 interface
Network	1x RJ45 10M/100M Base-TX Auto-adaptive Ethernet
Video Output	1x BNC, impedance 75Ω; amplitude 1V [p-p]
Certifications	
EMC	CE-EMC (EN 55032: 2015+A1:2020, EN 61000-3-3: 2013+A1: 2019, EN IEC 61000-3-2: 2019+A1: 2021, EN 55035: 2017+A11:2020) FCC (FCC CFR 47 part15 B, ANSI C63.4-2014)
Safety	CE LVD (EN 62368-1:2014+A11:2017) CB (IEC 62368-1:2014) UL (UL 62368-1, 2nd Ed., Issue Date: 2014-12-01)

Environment	CE-RoHS (2011/65/EU;(EU)2015/863); WEEE (2012/19/EU); Reach (Regulation (EC) No 1907/2006)
Protection	IP67 (IEC 60529:1989+AMD1:1999+AMD2:2013) IK10 (IEC 62262:2002)
General	
Power	DC 12V±25%, PoE (IEEE 802.3af)
	Power consumption: Max 12W
Dimensions (∅ x H)	∅149 x 55mm
Weight	524g
Material	Metal + Plastic
Working Environment	-30°C ~ 60°C, Humidity: ≤95% RH
Storage Environment	-30°C ~ 60°C, Humidity: ≤95% RH
Surge protection	4kV
Reset Button	Support

Dimensions



Accessories

TR-JB04-D-IN Junction Box	TR-A01-IN Waterproof Joint	TR-CM24-IN Pendant Mount	TR-SE24-IN Pendant Mount	TR-SE24-A-IN Pendant Mount

Junction box	Indoor pendent mount
TR-JB04-D-IN+TR-A01-IN	TR-JB04-D-IN+TR-A01-IN+ TR-SE24-IN(TR-SE24-A-IN)+ TR-CM24-IN