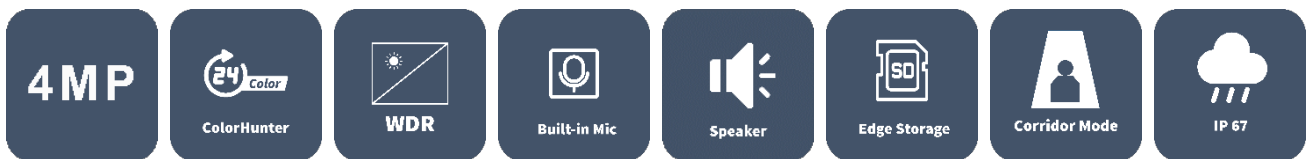


4MP Starlight Dual Light Fixed Eyeball Network Camera

IPD-3614LSA-28WAL



Features

- High quality image with 4MP, 1/3"CMOS sensor
- 4MP (2688*1520)@ 25/20fps; 4MP (2560*1440)@ 25/20fps; 3MP (2304*1296) @30/25fps; 2MP (1920*1080) @30/25fps;
- Ultra 265, H.265, H.264, MJPEG
- 120dB true WDR technology enables clear image in strong light scene
- Support 9:16 Corridor Mode
- Built-in Mic & Speaker
- Smart IR, up to 30m IR distance
- White Light, up to 30m white light distance
- Supports 512 G Micro SD card
- IP67 protection
- Support PoE power supply
- 3-Axis

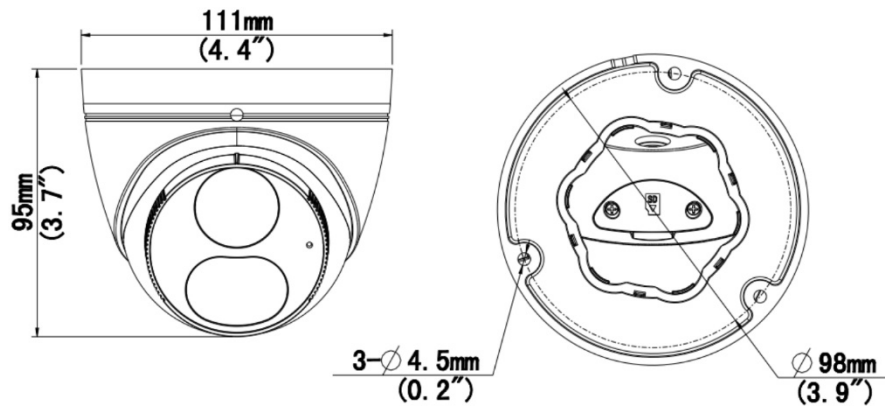
Specifications

IPD-3614LSA-28WAL					
Camera					
Max Resolution	4MP				
Sensor	1/3.0" CMOS				
Min. Illumination	Colour: 0.003 lux (F1.6, AGC ON) 0 Lux with light				
Day/Night	IR-cut filter with auto switch (ICR)				
Shutter	Auto/Manual, 1 ~ 1/100000s				
Adjustment Angle	Pan: 0° ~ 360°, Tilt: 0° ~ 80°, Rotate: 0° ~ 360°				
S/N	>52dB				
WDR	120dB				
Lens					
Focal Length	2.8 mm				
Iris Type	Fixed				
Iris	F1.6				
Field of View (H)	112.9°				
Field of View (V)	59.1°				
Field of View (D)	121.2°				
DORI					
DORI Distance	Lens (mm)	Detect(m)	Observe(m)	Recognize(m)	Identify(m)
	2.8	63	25.2	12.6	6.3
Illuminator					
Supplemental Light	Dual Light				
Illumination Distance (IR)	30 m				
Illumination Distance (Warm Light)	30 m				
Wavelength	850 nm				
Light On/Off Control	Auto/Manual				
Video					
Video Compression	Ultra 265; H.265; H.264; MJPEG				
H.264 Code Profile	Baseline profile, Main profile, High profile				
Video Stream	Dual Streams				




Frame Rate	Main Stream: 4MP (2688*1520), Max 25fps; 4MP (2560*1440), Max 25fps; 3MP (2304*1296), Max 30fps; 1080P (1920*1080), Max 30fps; 720P (1280*720), Max 30fps; Sub Stream: 720P (1280*720), Max 30fps; D1 (720*576), Max 30fps; 640*360, Max 30fps;
Video Bit Rate	128 kbps ~ 16 Mbps
OSD	Up to 4 OSDs
Privacy Mask	Up to 4 areas
ROI	Up to 8 areas
Image	
White Balance	Auto; Outdoor; Fine Tune; Sodium Lamp; Locked; Auto2
Digital Noise Reduction	2D/3D DNR
Smart IR	Support
Flip	Normal; Flip Vertical; Flip Horizontal; 180°; 90°Clockwise; 90°Anti-clockwise
HLC	Support
BLC	Support
Defog	Digital Defog
Events	
Basic Detection	Motion Detection; Ultra Motion Detection; Tampering Alarm; Audio Detection; Cross Line (based on Human Body Detection); Intrusion (based on Human Body Detection)
General Function	Watermark; IP Address Filtering; Access Policy; ARP Protection; RTSP Authentication; User Authentication; HTTP Authentication
Audio	
Audio Compression	G.711U; G.711A
Audio Bitrate	64 kbps
Two-way Audio	Support
Suppression	Support
Sampling Rate	8kHz
Storage	
Edge Storage	Micro SD, up to 512 GB
Network Storage	ANR; NAS (NFS)
Network	
Protocols	IPv4; IPv6; IGMP; ICMP; ARP; TCP; UDP; DHCP; RTP; RTSP; RTCP; RTMP; DNS; DDNS; NTP; FTP; UPnP; HTTP; HTTPS; SMTP; SSL/TLS; 802.1x; SNMP; PPPoE
Compatible Integration	ONVIF (Profile S, Profile G, Profile T); API; SDK
User/Host	Up to 32 users. 3 user levels: administrator, common user and operator

Security	Password Protection; Strong Password; HTTPS Encryption; Export Operation Logs; Basic and Digest Authentication for RTSP; Digest Authentication for HTTP; TLS 1.2; WSSE and Digest Authentication for ONVIF
Client	Guard Live; Guard Live Pro; Guard Station
Web Browser	Plug-in required live view: IE 10 and above, Chrome 45 and above, Firefox 52 and above, Edge 79 and above; Plug-in free live view: Chrome 57.0 and above, Firefox 58.0 and above, Edge 16 and above
Interface	
Built-in Mic	Support
Built-in Speaker	Support
Network	1 x RJ45 10M/100M Base-TX Ethernet
Certification	
EMC	CE-EMC (EN 55032, EN 61000-3-3, EN IEC 61000-3-2, EN 55035) FCC (FCC 47 CFR part15 B)
Safety	CE LVD (EN 62368-1) CB (IEC 62368-1) UL/CUL (UL 62368-1, CAN/CSA C22.2 No. 62368-1)
Environment	CE-RoHS (2011/65/EU;(EU)2015/863); WEEE (2012/19/EU);
Protection	IP67 (IEC 60529)
General	
Power	DC 12V ±25%, PoE (IEEE 802.3af)
	Power consumption: Max 5.0W
	Power consumption: Max 8.0W
Power Interface	Ø 5.5mm coaxial power plug
Dimensions	Φ 111 x 95mm
Weight	0.30kg
Material	Metal + Plastic
Working Environment	-30 °C ~ 60 °C, Humidity: ≤95% RH (non-condensing)
Storage Environment	-30 °C ~ 60 °C, Humidity: ≤95% RH (non-condensing)
Surge Protection	4kV
Reset Button	N/A
Web Client Language	English, Hungarian, Slovak, Croatian, Serbia, Romanian, Italian, Slovenia

Dimensions



Accessories

TR-JB03-G-IN	TR-WM03-D-IN	TR-A01-IN
Junction Box	Wall Mounting Bracket	NPT 3/4" Waterproof Cable Gland
		

TR-SE24-IN	TR-SE24-A-IN	TR-CM24-IN
Dome Pendant Mounting Pole 200mm	Dome Pendant Mounting Pole 500mm	Dome Pendant Mounting Bracket (Indoor)
