

4MP AI Super Starlight Smart IP Dome Network Camera

IPD-3234SA-DZK



Key Features



Optics

- 1/1.8", Powered by Lighthunter
- Smart IR, up to 50m IR distance
- Up to 120 dB Optical WDR (Wide Dynamic Range)
- Adaptive fogging

Smart

- Chipset with neural network inference engine (NNIE)
- Combine powerful deep learning algorithm and abundant data to realize target classification
- Face metering, intelligent adjustment of face brightness
- Capture snapshot from faces upon successful recognition or triggered by alarm input
- Automatic selection of best snapshots from detected face, up to 40 faces detection in same time
- People Counting based on face detection
- Perimeter Protection, include Cross Line, Intrusion, Enter Area, Leave Area detection
- Detect target configuration, Vehicle, human, non-vehicle
- Exception Detection and Statistics, include Object Moving, Object Left, Defocus, Scene Change

Compression

- Ultra 265, H.265, H.264, MJPEG
- Triple streams

- 2688*1520@30fps in the main stream
- ROI (Region of Interest)

Network

- ONVIF Conformance

Structure

- DC12V or AC24V or PoE power supply
- Wide voltage range of $\pm 25\%$ in 24 VAC, $\pm 25\%$ in 12 VDC
- Micro SD, up to 256 GB
- Alarm 1 in and 1 out, Audio 1 in and 1 out
- IP67 ingress protection
- IK10 vandal resistant

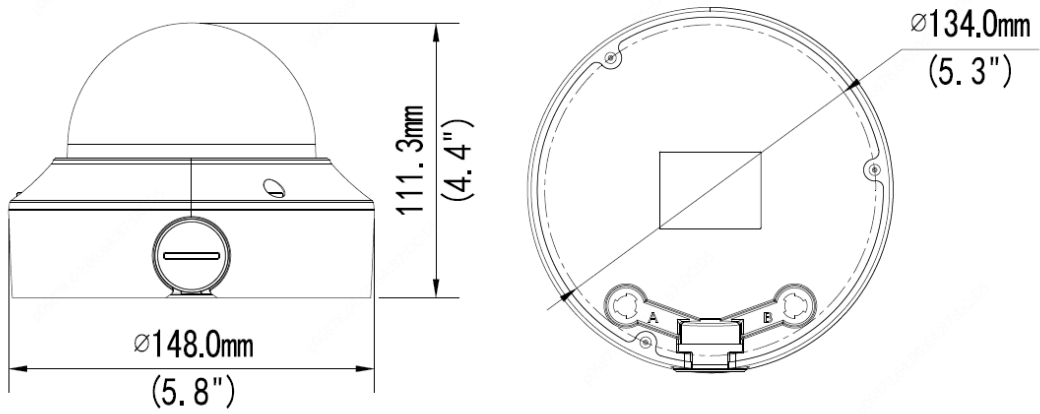
Specifications

IPD-3234SA-DZK																
Camera																
Sensor	1/1.8", 4.0 megapixel, progressive scan, CMOS															
Lens	2.8-12mm@F1.2, AF automatic focusing and motorized zoom lens															
Iris	Auto aperture															
DORI Distance	<table border="1"> <thead> <tr> <th>Lens (mm)</th> <th>Detect (m)</th> <th>Observe (m)</th> <th>Recognize (m)</th> <th>Identify (m)</th> </tr> </thead> <tbody> <tr> <td>2.8</td> <td>42</td> <td>16.8</td> <td>8.4</td> <td>4.2</td> </tr> <tr> <td>12</td> <td>180</td> <td>72</td> <td>36</td> <td>18</td> </tr> </tbody> </table>	Lens (mm)	Detect (m)	Observe (m)	Recognize (m)	Identify (m)	2.8	42	16.8	8.4	4.2	12	180	72	36	18
	Lens (mm)	Detect (m)	Observe (m)	Recognize (m)	Identify (m)											
	2.8	42	16.8	8.4	4.2											
12	180	72	36	18												
Angle of View (H)	35.6°~107.9°															
Angle of View (V)	20.4°~75.4°															
Angle of View (O)	43.8°~140.3°															
Shutter	Auto/Manual, 1 ~ 1/100000s															
Adjustment angle	<table border="1"> <tr> <td>Pan: 0°~355°</td> <td>Tilt: 0°~68°</td> <td>Rotate: 0°~355</td> </tr> </table>	Pan: 0°~355°	Tilt: 0°~68°	Rotate: 0°~355												
Pan: 0°~355°	Tilt: 0°~68°	Rotate: 0°~355														
Min. Illumination	Colour:0.0005lux (F1.2, AGC ON) 0 lux with IR															
WDR	120dB															
Day/Night	IR-cut filter with auto switch (ICR)															
S/N	>55dB															
IR Range	Up to 50m IR range															
Wavelength	850nm															
IR On/Off Control	Auto/Manual															
Defog	Digital Defog															
Video																
Video Compression	Ultra 265, H.265, H.264, MJPEG															
Frame Rate	Main Stream: 4MP (2688*1520), Max 30fps; 4MP (2560*1440), Max 30fps; 2MP (1920*1080), Max 60fps Sub Stream: 2MP (1920*1080), Max 60fps; Third Stream: D1 (720*576), Max 60fps															
Video Bit Rate	128 Kbps~16 Mbps															
ROI	Supported															
Video stream	Triple streams															
OSD	Up to 8 OSDs															

Privacy Mask	Up to 8 areas (8 blacks / 4blacks+4mosaic)
Image	
White Balance	Auto/Outdoor/Fine Tune/Sodium Lamp/Locked/Auto2
Digital noise reduction	2D/3D DNR
Smart IR	Support
Flip	Normal/Flip Vertical/Flip Horizontal/180°/90°Clockwise/90°Anti-clockwise
HLC	Support
BLC	Support
Smart	
Behavior Detection	Support false alarm filtering, Line crossing detection, Intrusion detection, Region entrance detection, Region exit detection ; Motion detection ;
Exception Detection And Statistics	Object Moving, Object Left, Defocus, Scene Change
Recognition	Face detection, support collecting 3 kinds of face attributes includes Age, Gender, Glasses ; Audio detection ;
Statistical Analysis	People counting, support tripwire people counting and area people counting
General Function	Watermark, IP Address Filtering, Tampering Alarm, Alarm input, Alarm output, Access Policy, ARP Protection, RTSP Authentication, User Authentication
Audio	
Audio Compression	G.711U, G.711A
Two way audio	Supported
Sampling Rate	8 kHz
Storage	
Edge Storage	Micro SD, up to 256 GB
Network Storage	ANR,NAS(NFS)
Network	
Protocols	IPv4, IGMP, ICMP, ARP, TCP, UDP, DHCP, PPPoE, RTP, RTSP, RTCP, DNS, DDNS, NTP, FTP, UPnP, HTTP, HTTPS, SMTP, 802.1x, SNMP, QoS, RTMP
Compatible Integration	ONVIF (Profile S, Profile G, Profile T), API
Client	GuarStation GuardView GuardLive
Web Browser	Plug-in required live view: IE9+, Chrome 41 and below, Firefox 52 and below Plug-in free live view: Chrome 57.0+, Firefox 58.0+, Edge 16+, Safari 11+
Interface	
Audio I/O	Audio cable
	1 Input: impedance 35kΩ; amplitude 2V [p-p]
	1 output: impedance 600Ω; amplitude 2V [p-p]
Alarm I/O	1/1
Network	1 x RJ45 10M/100M Base-TX Ethernet
Certifications	
Certifications	CE: EN 60950-1 UL: UL60950-1 FCC: FCC Part 15
General	
Power	DC12V ±25%, AC24V±25%, PoE (IEEE802.3at)
	Power consumption: Max 10W
	Support overcurrent protection , Input short circuit protection
Dimensions (∅ x H)	∅148 x 111.3mm
Net Weight	0.96kg
Material	Shield: PC

	Bottom plate: metal
Working Environment	-30°C~60°C, Humidity: ≤95% RH (non-condensing)
Storage Environment	-40°C~70°C, Humidity: ≤95% RH (non-condensing)
Surge protection	6KV
Vandal Resistant	IK10
Ingress Protection	IP67

Dimensions



Accessories

TR-JB04-C-IN



TR-JB07/WM04-B-IN



TR-WM04-IN



TR-A01-IN



TR-UP06-IN



Junction Mount	Pole Mount
TR-JB04-C-IN+ TR-A01-IN	TR-JB07/WM04-B-IN、 TR-WM04-IN+TR-UP06-IN