

D-254

Series Self-powered Door Contact Product Specification

1 Product Description

1.1 Product Introduction

D-254 Series Self-powered Door Contact is suitable for sliding doors, cabinets, drawers, windows, etc. It can realize ON/OFF of the light automatically when the door is sensed Open & Close if it works with Videosec Wireless Receiver. It also can compatible with Videosec Smart Gateway to achieve more “Smart Home” applications like: when the window is opened and it will trigger the alarm.

2 Product Features

2.1 The Pairing Method with Wireless Receiver

When the wireless receiver enters the pairing state (the indicator light goes into a slow flashing state), **quickly press the door magnet once (release the hand after pressing, and complete within 0.5 second)**, then the indicator light is go off and the pairing is successful. After the pairing is completed, the lamp can be turned on when the door is opened and turned off when it is closed.

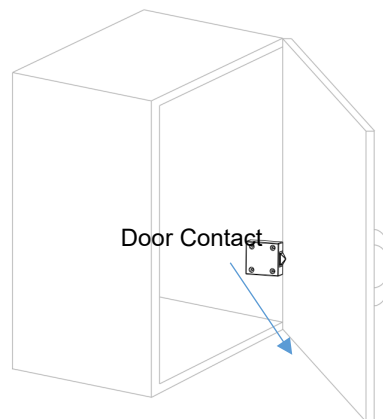
Note: This pairing method is similar to the directional pairing of wireless kinetic switch.

3 Technical Parameters

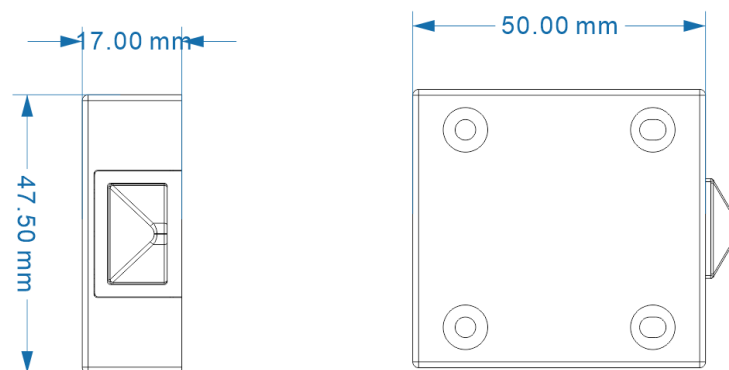
Project	Parameters
Power Supply	Self-powered
Communication Frequency	RF 433MHz
Modulation Method	FSK
Communication Distance	80m (Outdoors) / 25m (Indoors)
Usage Life	≥100000 times
Work Temperature	-20°C ~ +55°C
Housing Material	PC
Installation Method	Fixed to the door or screwed to the door surface

4 External Installation Method

D-254 Door Contact can be mounted externally on the surface of door (e.g. Cabinet) and being fixed with screws. See the below picture:



5 Product Size



6 Application Scene

Cabinet door Application: The door contact can be installed on the cabinet door. When you need to take clothes, open the cabinet door and the light strip will be turned on automatically, when the cabinet door is closed, the light strip will be turned off automatically.

Note: This function needs to be connected to the light strip of cabinet with the Vidosec Wireless Receiver, then pair with the D-254 series Door Contact and Wireless Receiver.

