



## BPL6060-CCT LED BackLit-Panel SWITCH

### Application



### Character

The switch change CCT LED Panel used its advanced back light technology. The high-quality Multicolor LED chips are fixed on a flat surface and each with an optic lens which offers a beam angle of almost 180°. This ensures a homogeneous, shadow free and highly efficient illumination with perfect thermal management at the same time. The micro prismatic of the polycarbonate diffuser with anti-glare makes peoples eyes more soft and comfortable from the direct lighting.

The settled color temperature 3000K( WW ), 4000K( NW ) or 6000K(CW) can be used by switch in front of the Philips driver Select. The low installation height of only 34 mm makes the sophisticated lens technology on the back of the panel is possible.

5 years warranty

WW NW CW

Switch for 3 sections

WW	NW	CW
3000 K	4000 K	6000 K

Flat Installation Height 34mm

Philips Standard Driver  
Tridonic is optional

180°

High-Quality Lens Technology  
Two different color LED chips Combined with a optic Lens (beam angle 180° )

Flat Chips-Fixed  
96 individual LED chips ensure uniform illumination

# LEDsec<sup>®</sup> LED BackLit-Panel

# SWITCH

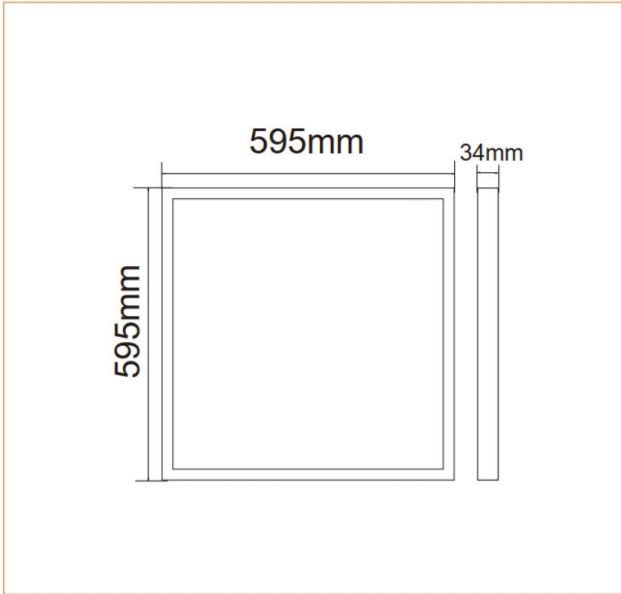


## Technical Data

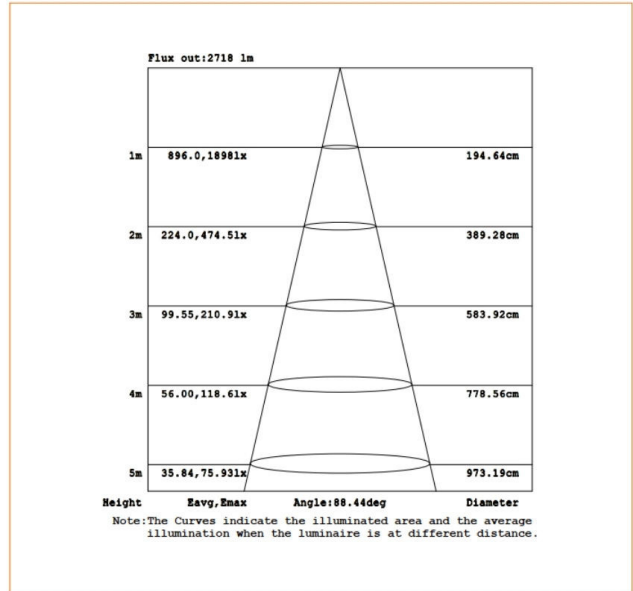
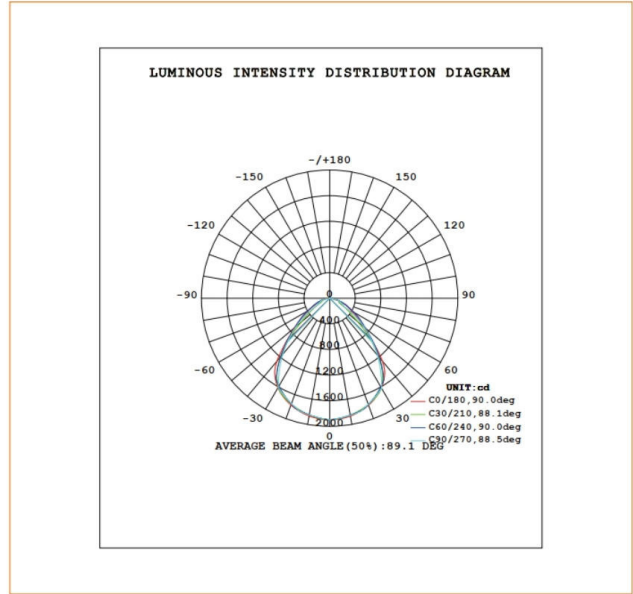


Model	BPL6060-CCT
Voltage	200-240V AC.50/60HZ
Driver	Philips Flicker Free DC30-42V 900mA
Watt	36W
Power Factor	>0.95
Luminous Flux	Max.4500LM
Luminous Efficiency	Max.125LM/W
Beam Angle	120°
Blendungswert	UGR<19
Color Rendering	CRI>80/CRI>90
SDCM	<3
Color Temperature	3000K-4000K-6000K
LED Chip	SMD2835 (96pcs)
Dimmable	ON/OFF
Lifespan	50,000Hrs
Material	Aluminum Frame + Micro Prismatic Diffuse
Housing color	RAL 9016
Warranty	5 Years
IP Level	IP40
Working Temperature	-20° + 45°C
Certificate	TUV-GS,CE,ROHS
Character	Advanced backlight technology, Micro Prismatic Diffuser with UGR<19, Switch CCT change, Flicker Free
Size	595x595x34mm
Weight:	2.2kg(N.W)

## Dimensions



## Testing



## Packing List

Item No.	Outer Carton(L*W*H)	Q'ty/Ctn.	G.W/Ctn.	QTY/20GP	Volume/Carto(m <sup>3</sup> )
BPL6060-CCT	660*260*670mm	6pcs	12.7kg	1500pcs	0.115