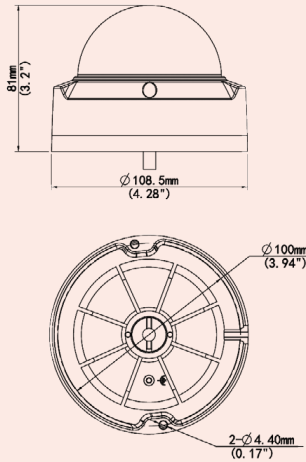




# IPD-324-28F

## 4MP WDR Vandal-resistant Network PoE IR Fixed Dome Camera

- Smart IR, up to 30m IR distance
- Up to 120 dB Optical WDR(Wide Dynamic Range)
- 3D DNR (Digital Noise Reduction)
- H.265, H.264, MJPEG triple stream
- Support local microSD recording
- Embedded smart algorithm
- Alarm Input/Output
- 9:16 corridor mode
- Support PoE power supply
- Wide voltage range of  $\pm 25\%$
- Wide temperature range:  $-35^{\circ}\text{C}$  to  $+60^{\circ}\text{C}$
- IK10 vandal resistant, IP67
- Accessory Junction Box: JB03-D-IN



### Specifications

Sensor	1/3", 4.0 megapixel, progressive scan CMOS
Shutter	Auto/Manual, 1/6~1/100000 s
Lens	2.8@F2.0; Angle of View 104.4°
Min. Illumination	Colour: 0.02 Lux (F2.0, AGC ON), 0 Lux with IR
Day/Night	IR-cut filter with auto switch (ICR)
IR Range	Up to 30m IR range
S/N	>55dB
WDR	Optical WDR (up to 120 dB)
Max. Resolution	2592 x 1520
Video Compression	H.265 + Smart Encode, H.264, MJPEG
Capture Collect Mode	4 Mpx (2592×1520)@20 fps; 4 Mpx (2560×1440)@25 fps; 3 Mpx (2048×1520)@30 fps; 1080P (1920 x 1080)@30 fps; 1080P (1920 x 1080)@25fps
9:16 Corridor Mode / ROI	Supported / Supported
Video Streaming	Triple
OSD	Up to 8 OSDs
Privacy Mask	Supported
Behavior Detection	Intrusion, crossing line, defocus, Scene change, motion detection (22x18 grid / 4 area)
Exception Detection	Audio detection
Intelligent Identification	Face detection
Statistical Analysis	People counting
General functions	Watermark, IP Address Filtering, Tampering Alarm, Alarm input, Alarm output, Access Policy, ARP Protection, RTSP Authentication, User Authentication
Audio Compression	G.711a/G.711u
Two-way audio	Supported
Edge Storage	Micro SD, up to 128 GB with ANR (Automatic Network Recovery) Function
Protocols	L2TP, IPv4, IPv6, IGMP, ICMP, ARP, TCP, UDP, DHCP, PPPoE, RTP, RTSP, RTCP, DNS, DDNS, NTP, FTP, UPnP, HTTP, HTTPS, SMTP, SIP, STUN, 802.1x, (Telnet default: OFF)
Compatible Integration	ONVIF, API
Audio I/O	Audio cable, Input: impedance 35 kΩ; 2 V [p-p], Output: impedance 600 Ω; 2 V [p-p]
Alarm I/O	1/ 1
Network	1 RJ45 10M/100M Base-TX Ethernet
Power	12 V DC $\pm 25\%$ , or PoE (IEEE802.3 af), Power consumption: 3.5 W (PoE : Max. 5.5 W)
Dimensions (Ø x H), Weight	Ø108.5 x 81 mm, 0.45 kg
Working Environment	$-35^{\circ}\text{C}$ ~ $+60^{\circ}\text{C}$ Humidity $\leq 95\%$ RH(non-condensing)
Vandal Resistant	IK10
Ingress Protection	IP67