

# HW03-500F22



## LED Power Supply Constant Current Driver

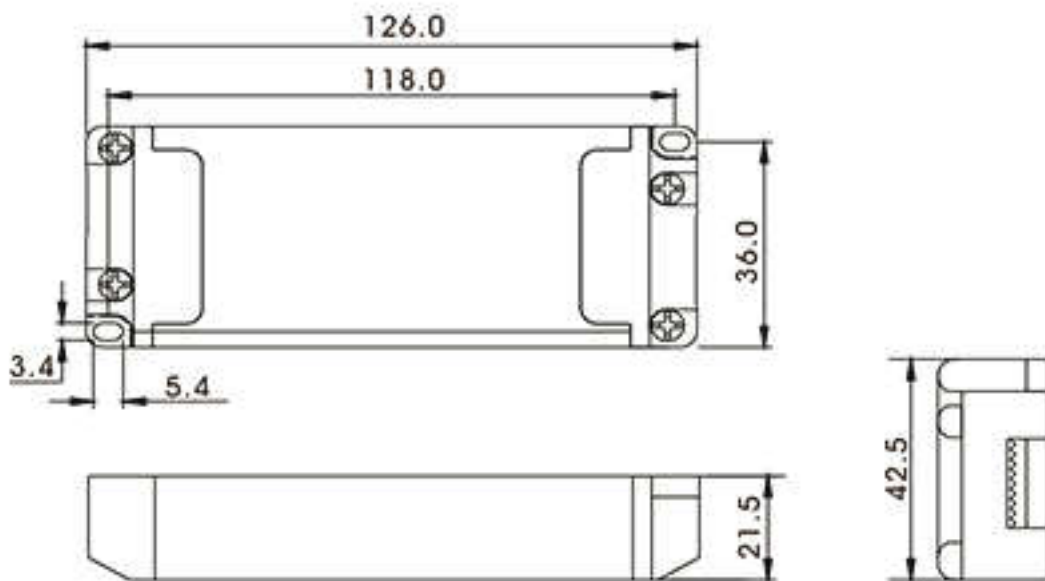
- Long lasting and high reliability
- Extra small compact housing
- suitable for use with downlights, Spotlights and other indoor LED applications



Approval marks



## Dimension



## Specifications

Model No.	Input Voltage	Power Factor	Efficiency (typ.)	Constant Current	Constant Voltage	Accuracy Rate	Operating Volt. Range	Max. Output Volt. (No Load)	Rated Power	Ta	Tc
HW03-12VF20	100-240V	$\lambda \geq 0.5$	$\geq 82\%$	-	12V	5%	-	13V	20W	50C°	85C°
HW03-24VF20	100-240V	$\lambda \geq 0.5$	$\geq 83\%$	-	24V	5%	-	25V	20W	50C°	85C°
HW03-200F21	100-240V	$\lambda \geq 0.9$	$\geq 84\%$	200mA	-	5%	60-105V	120V	21W	50C°	85C°
HW03-250F22	100-240V	$\lambda \geq 0.9$	$\geq 84\%$	250mA	-	5%	55-88V	100V	22W	50C°	85C°
HW03-300F22	100-240V	$\lambda \geq 0.9$	$\geq 84\%$	300mA	-	5%	45-73V	85V	22W	50C°	85C°
HW03-350F23	100-240V	$\lambda \geq 0.9$	$\geq 84\%$	350mA	-	5%	40-65V	75V	23W	50C°	85C°
HW03-400F22	100-240V	$\lambda \geq 0.9$	$\geq 84\%$	400mA	-	5%	35-55V	65V	22W	50C°	85C°
HW03-450F22	100-240V	$\lambda \geq 0.9$	$\geq 84\%$	450mA	-	5%	28-48V	60V	22W	50C°	85C°
HW03-500F22	100-240V	$\lambda \geq 0.9$	$\geq 84\%$	500mA	-	5%	26-44V	55V	22W	50C°	85C°
HW03-550F22	100-240V	$\lambda \geq 0.9$	$\geq 84\%$	550mA	-	5%	25-40V	50V	22W	50C°	85C°
HW03-600F22	100-240V	$\lambda \geq 0.9$	$\geq 84\%$	600mA	-	5%	22-36V	45V	22W	50C°	85C°
HW03-650F22	100-240V	$\lambda \geq 0.9$	$\geq 84\%$	650mA	-	5%	20-33V	42V	22W	50C°	85C°
HW03-700F22	100-240V	$\lambda \geq 0.9$	$\geq 84\%$	700mA	-	5%	16-32V	40V	22W	50C°	85C°
HW03-12VF20P	100-240V	$\lambda \geq 0.9$	$\geq 82\%$	-	12V	5%	-	13V	20W	50C°	85C°
HW03-24VF20P	100-240V	$\lambda \geq 0.9$	$\geq 83\%$	-	24V	5%	-	25V	20W	50C°	85C°

■ Thermal Protection/ Short Circiut Protection

