

SPECIFICATION FOR APPROVAL

Customer: _____

Product Material No.: _____

Modell No.: _____ **GIF-040YA(H)** _____

Version: _____ **V1.1** _____

Manufacturer: _____ **Sichuan Ledfriend Technology Co., Ltd** _____

Customer Approval

Tested by	Checked by	Approved by

Ledfriend Approval

Tested by	Checked by	Approved by
Chen Min	Huang Bin	Zhou Xiaoliang

The full model numbers required by customers

Full model No.		Full model No.	
Full model No.		Full model No.	

E.C. List

Versio	Description of change	Engineer	Date
1.0	Formal version	Huang Bin	2017-04-26
1.1	Add the testing diagram of Tc point	Chen Min	2017-08-29

Shenzhen Ledfriend Optoelectronics Co., Ltd

4&5/F, Bldg 14A, Taihua Wutong Island, Gushu, Xixiang St., Bao'an Dist., Shenzhen 518126, China
www.lifud.com | China service hotline: 400-096-6815 (China technical support: 13410240457)

Model	GIF040YA(H)	Series	AC220-240V & Flicker-Free
--------------	-------------	---------------	---------------------------

1. Product description



Isolated LED driver for class II LED luminaire.

Category: AC220-240V, plastic case, flicker free

Properties: flicker coefficient $\leq 0.5\%$, active PFC, high PF, high efficiency, low THD

Application: indoor office lighting, decorative lighting, commercial lighting and residential lighting

Warranty: 5 years (Please refer to the warranty condition.)

Certificate: ENEC, TUV, CE, CB, RCM, SAA, CCC



2. Technical data (1)

	Full model number	GIF040YA(H)1050H	GIF040YA(H)1000H	GIF040YA(H)0950H
Output	Output voltage	33-40Vdc		
	Output current	1050mA	1000mA	950mA
	Ripple voltage	$\leq 2V$		
	Current tolerance	$\pm 5\%$		
	Time to light	230Vac <0.5S		
	Temperature drift	$\pm 10\%$		
	Line regulation	$\pm 5\%$		
	Flicker coefficient	$\leq 0.5\%$		
Input	Line regulation	$\pm 5\%$		
	Rated input voltage	220-240 Vac		
	Frequency	47Hz-63Hz		
	Input current	0.35A Max		
	Power Factor	$\geq 0.95/230Vac$		
	THD	$\leq 20\%$		
	Efficiency	$\geq 90\%/230Vac$		
	In-rush current (peak /duration)	$I < 60A/350\mu S @ 230Vac$		
Typ. power input on stand-by	$P_{in} \leq 0.3W$			
Protective features	No-load	Max. output voltage (no-load voltage) 55Vdc		
	Short-circuit	Hiccup mode (auto-recovery)		
Environment condition	Working temperature	$-30^{\circ}C \sim +50^{\circ}C$		
	Working humidity	20-90%RH (no condensation)		
	Storage temperature/humidity	$-40^{\circ}C \sim +80^{\circ}C$ (6 months under the class I environment); 10-90%RH (no condensation)		
	Atmospheric pressure	86-106KPa		
Safety and norms	Certifications	ENEC, TUV, CE, CB, RCM, SAA, CCC		
	Hi-pot test	I/P-O/P: 3.75KVac, <5mA, 60S		
	Insulation resistance	I/P-O/P: 500VDC, >100M Ω		
	Surge level	Comply with IEC61000-4-5(L/N:1KV)		
	EMI	Comply with EN55015, EN61000-3-2.		
	EMS	Comply with EN61000-4-2,3,4,5,6,8,11; EN61547.		
Others	Packing (weight)	Net weight: 100g $\pm 5\%$ /pc; 84pcs/ctn; 8.72kg $\pm 5\%$ /ctn; Carton size: 39 x 29 x 21 cm(L*W*H).		
	IP level	IP20		
	Warranty condition	5 years (Max. case temperature must not exceed 80 $^{\circ}C$).		

Model	GIF040YA(H)	Series	AC220-240V & Flicker-Free
-------	-------------	--------	---------------------------

Testing equipment	AC power source: CHROMA6530, digital power meter: CHROMA66202, Oscilloscope: Tektronix DPO3014, DC electronic load: M9712B, LED board, constant temperature and humidity chamber, lightning surge generator: Everfine EMS61000-5B, rapid group pulse generator: Everfine EMS61000-4A, spectroanalyzer: KH3935, hi-pot tester: TH9201B, flicker-free tester (flicker-free coefficient tester) 60N-01, etc.
Test conditions	The parameters above including the power factor, THD, efficiency are all tested under the ambient temperature 25°C and humidity 50%, AC input 230V and 90% DC load.
Additional Remark	<ol style="list-style-type: none"> In the power supply circuit, it is recommended that the customer should install an over-under-voltage protection and surge protection device to ensure the safety of using electricity. The PC cover, shell, end caps used together with the LED driver inside the LED lamp must meet the UL94V-0 fire rating level or above. As a part of the LED lamp, the LED driver is not the only factor determining the EMC performance of the LED lamp. And the EMC performance is also related to the LED lamp's structure and the wire routing. Thus we strongly recommend the manufacturer of the finished LED lamp must re-confirm the EMC of the LED lamps.

Technical data (2)

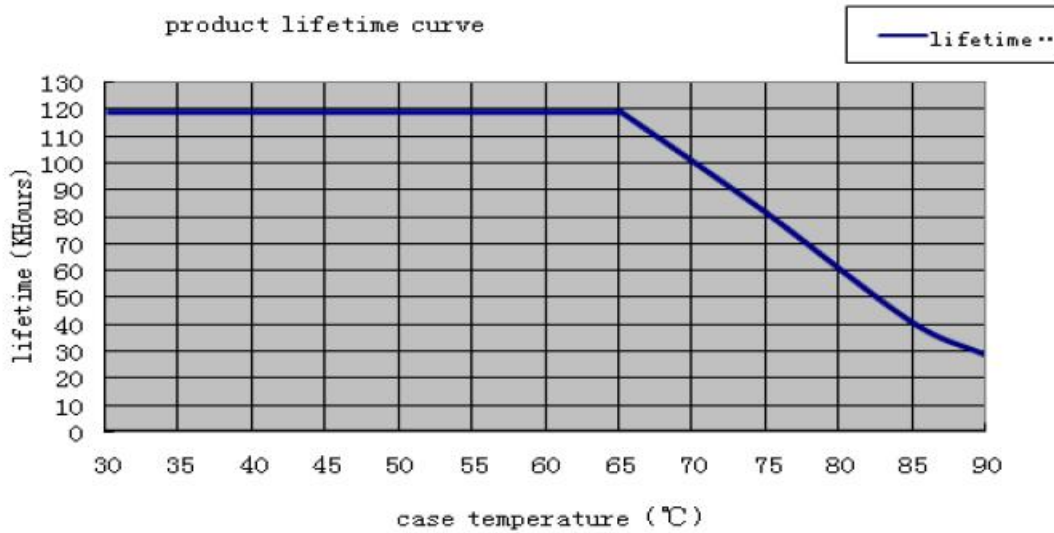
	Full model number	GIF040YA(H)0900H	GIF040YA(H)0850H	GIF040YA(H)0800H
Output	Output voltage	33-40Vdc		
	Output current	900mA	850mA	800mA
	Ripple voltage	< 2V		
	Current tolerance	±5%		
	Time to light	230Vac <0.5S		
	Temperature drift	±10%		
	Line regulation	±5%		
	Flicker coefficient	≅ 0.5%		
Input	Line regulation	±5%		
	Rated input voltage	220-240 Vac		
	Frequency	47Hz-63Hz		
	Input current	0.35A Max		
	Power Factor	≥0.94/230Vac	≥0.94/230Vac	≥0.93/230Vac
	THD	≤20%		
	Efficiency	≥90%/230Vac		
	In-rush current (peak /duration)	I<60A/350uS@230Vac		
Typ. power input on stand-by	Pin≤0.3W			
Protective features	No-load	Max. output voltage (no-load voltage) 55Vdc		
	Short-circuit	Hiccup mode (auto-recovery)		
Environment condition	Working temperature	-30°C ~ +50°C		
	Working humidity	20-90%RH (no condensation)		
	Storage temperature/humidity	-40°C ~ +80°C (6 months under the class I environment); 10-90%RH (no condensation)		
	Atmospheric pressure	86-106KPa		
Safety and norms	Certifications	ENEC, TUV, CE, CB, RCM, SAA, CCC		
	Hi-pot test	I/P-O/P: 3.75KVac, <5mA, 60S		
	Insulation resistance	I/P-O/P: 500VDC, >100MΩ		
	Surge level	Comply with IEC61000-4-5(L/N:1KV)		
	EMI	Comply with EN55015, EN61000-3-2.		
	EMS	Comply with EN61000-4-2,3,4,5,6,8,11; EN61547.		
Others	Packing (weight)	Net weight: 100g ±5%/pc; 84pcs/ctn; 8.72kg±5%/ctn; Carton size: 39 x 29 x 21 cm(L*W*H).		
	IP level	IP20		
	Warranty condition	5 years (Max. case temperature must not exceed 80°C).		

Model	GIF040YA(H)	Series	AC220-240V & Flicker-Free
--------------	-------------	---------------	---------------------------

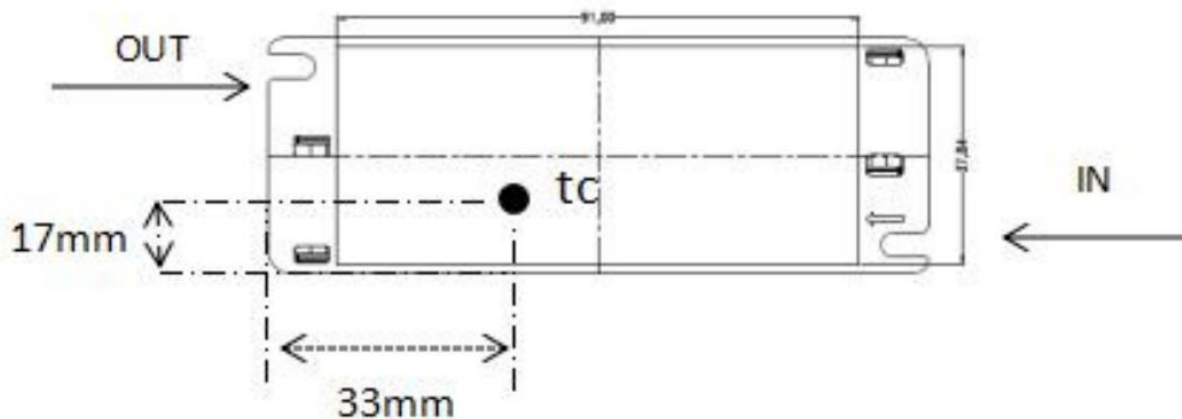
Testing equipment	AC power source: CHROMA6530, digital power meter: CHROMA66202, Oscilloscope: Tektronix DPO3014, DC electronic load: M9712B, LED board, constant temperature and humidity chamber, lightning surge generator: Everfine EMS61000-5B, rapid group pulse generator: Everfine EMS61000-4A, spectroanalyzer: KH3935, hi-pot tester: TH9201B, flicker-free tester (flicker-free coefficient tester) 60N-01, etc.
Test conditions	The parameters above including the power factor, THD, efficiency are all tested under the ambient temperature 25°C and humidity 50%, AC input 230V and 90% DC load.
Additional Remark	3. In the power supply circuit, it is recommended that the customer should install an over-under-voltage protection and surge protection device to ensure the safety of using electricity. 4. The PC cover, shell, end caps used together with the LED driver inside the LED lamp must meet the UL94V-0 fire rating level or above. 3. As a part of the LED lamp, the LED driver is not the only factor determining the EMC performance of the LED lamp. And the EMC performance is also related to the LED lamp's structure and the wire routing. Thus we strongly recommend the manufacturer of the finished LED lamp must re-confirm the EMC of the LED lamps.

3. Product Referenced Lifetime Curve

1) The curve below illustrates the driver's lifetime data when the LED driver's Max. case temperature reaches 40°C, 50°C, 60°C, 70°C, 80°C and 90°C.

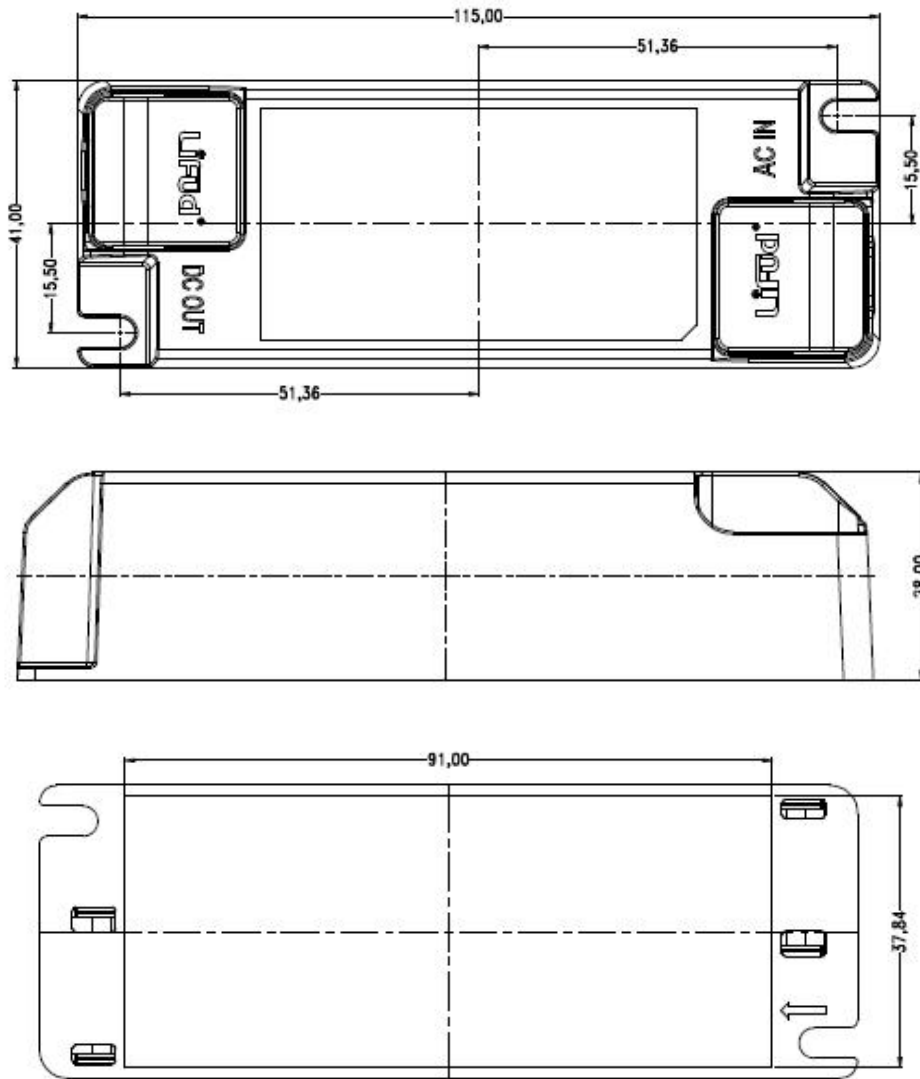


2) Tc Testing point, on the bottom case

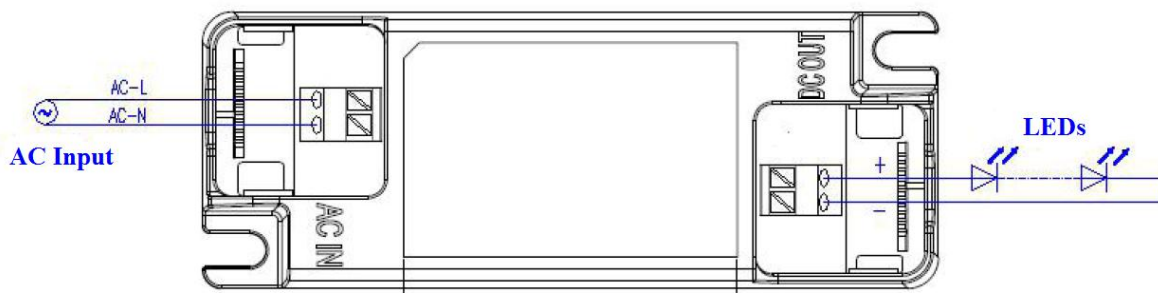


Model	GIF040YA(H)	Series	AC220-240V & Flicker-Free
--------------	-------------	---------------	---------------------------

4. Dimensional Drawing (unit: mm)



5. Wire Connection Diagram:



Model	GIF040YA(H)	Series	AC220-240V & Flicker-Free
--------------	-------------	---------------	---------------------------