

SPECIFICATION FOR APPROVAL

Model No.: _____ **GIF015YA-250H** _____

Version: _____ **V1.1** _____

Manufacturer: _____

Customer Approval

Tested by	Checked by	Approved by

Ledfriend Approval

Tested by	Checked by	Approved by
Huang Chao	Liao Xinggao	Zhou Xiaoliang

The full model numbers required by customers

Full model No.		Full model No.	
Full model No.		Full model No.	

E.C. List

Version	Description of change	Engineer	Date
0.1	Original version	Huang Chao	2017-02-08
1.0	Formal version	Huang Chao	2017-03-03
1.1	Warranty condition is updated.	Huang Chao	2017-05-11

Model	GIF015YA-250H	Series	AC220-240V & Flicker-Free
--------------	---------------	---------------	---------------------------

1. Product description



Isolated LED driver for class II LED luminaire.

Category: AC220-240V, plastic case, flicker free

Properties: flicker coefficient $\leq 1\%$, simple structure, active PFC, high PF, high efficiency, low THD

Application: indoor office lighting, decorative lighting, commercial lighting and residential lighting

Warranty: 5 years (Please refer to the warranty condition.)

Certificate: ENEC, TUV, CE, CB, RCM, SAA, CCC



2. Technical data

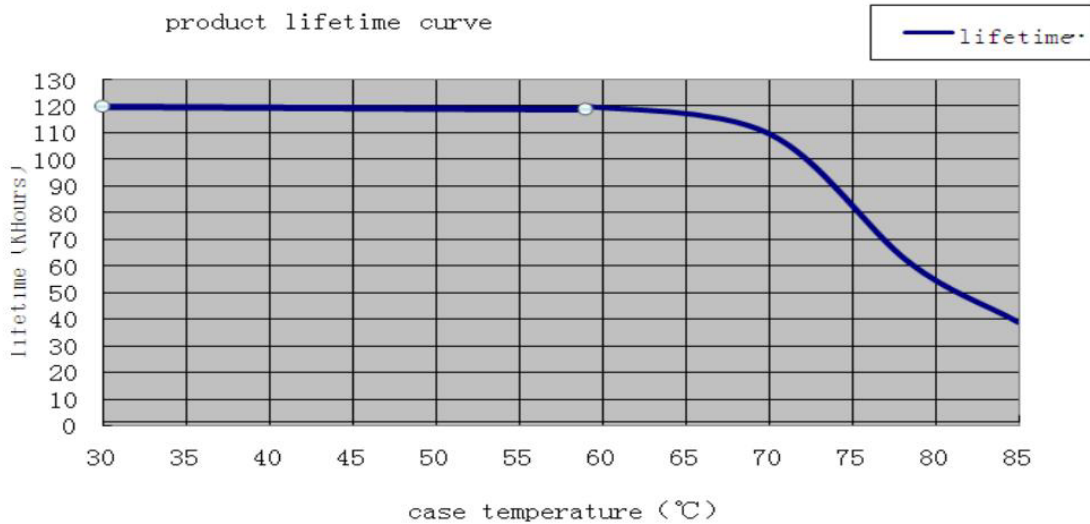
	Full model number	GIF015YA-250H
Output	Output voltage	25-40Vdc
	Output current	250mA
	Ripple voltage	< 1V
	Current tolerance	$\pm 5\%$
	Time to light	230Vac <0.5S
	Temperature drift	$\pm 10\%$
	Line regulation	$\pm 5\%$
Input	Line regulation	$\pm 5\%$
	Rated input voltage	220-240 Vac (Max input voltage: 180-264Vac)
	Frequency	47Hz-63Hz
	Input current	0.1A Max
	Power Factor	$\geq 0.90/230Vac$
	THD	$\leq 18\%$
	Efficiency	$\geq 83\%/230Vac$
	In-rush current (peak /duration)	I<60A/350uS@230Vac
Typ. power input on stand-by	Pin $\leq 1W$	
Protective features	No-load	Max. output voltage (no-load voltage) 55Vdc
	Short-circuit	Hiccup mode (auto-recovery)
Environment condition	Working temperature	-30°C ~ +50°C
	Working humidity	20-90%RH (no condensation)
	Storage temperature/humidity	-40°C ~ +80°C (6 months under the class I environment); 10-90%RH (no condensation)
	Atmospheric pressure	86-106KPa
Safety and norms	Certifications	ENEC, TUV, CE, CB, RCM, SAA, CCC
	Hi-pot test	I/P-O/P: 3.75KVac, <5mA, 60S
	Insulation resistance	I/P-O/P: 500VDC, >100M Ω
	Surge level	Comply with IEC61000-4-5(L/N:1KV)
	EMI	Comply with EN55015, EN61000-3-2.
Others	Packing (weight)	Net weight: 58g $\pm 5\%$ /pc; 160pcs/ctn; 9.28kg $\pm 5\%$ /ctn; Carton size: 39 x 29 x 21 cm (L*W*H).
	IP level	IP20
	Warranty condition	5 years (Max. case temperature must not exceed 82°C).

Model	GIF015YA-250H	Series	AC220-240V & Flicker-Free
--------------	---------------	---------------	---------------------------

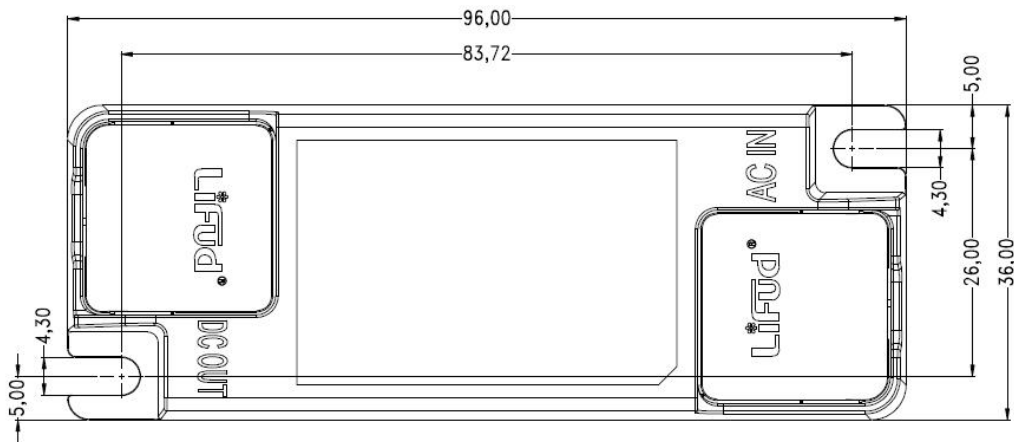
Testing equipment	AC power source: CHROMA6530, digital power meter: CHROMA66202, Oscilloscope: Tektronix DPO3014, DC electronic load: M9712B, LED board, constant temperature and humidity chamber, lightning surge generator: Everfine EMS61000-5B, rapid group pulse generator: Everfine EMS61000-4A, spectroanalyzer: KH3935, hi-pot tester: TH9201B, flicker-free tester (flicker-free coefficient tester) 60N-01, etc.
Test conditions	The parameters above including the power factor, THD, efficiency are all tested under the ambient temperature 25°C and humidity 50%, AC input 230V and 90% DC load.
Additional Remark	<ol style="list-style-type: none"> 1. In the power supply circuit, it is recommended that the customer should install an over-under-voltage protection and surge protection device to ensure the safety of using electricity. 2. The PC cover, shell, end caps used together with the LED driver inside the LED lamp must meet the UL94V-0 fire rating level or above. 3. As a part of the LED lamp, the LED driver is not the only factor determining the EMC performance of the LED lamp. And the EMC performance is also related to the LED lamp's structure and the wire routing. Thus we strongly recommend the manufacturer of the finished LED lamp must re-confirm the EMC of the LED lamps.

3. Product Referenced Lifetime Curve

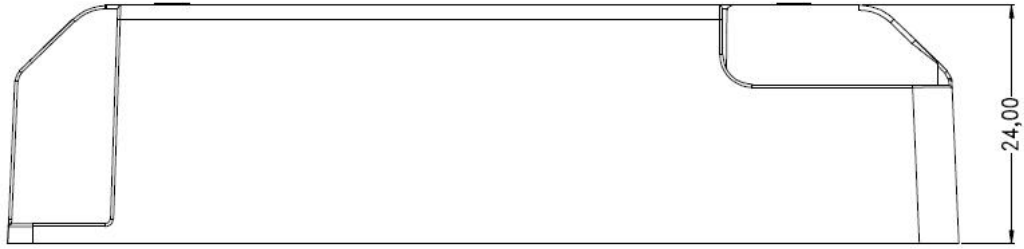
The curve below illustrates the driver's lifetime data when the LED driver's Max. case temperature reaches 40°C, 50°C, 60°C, 70°C, 80°C and 90°C.



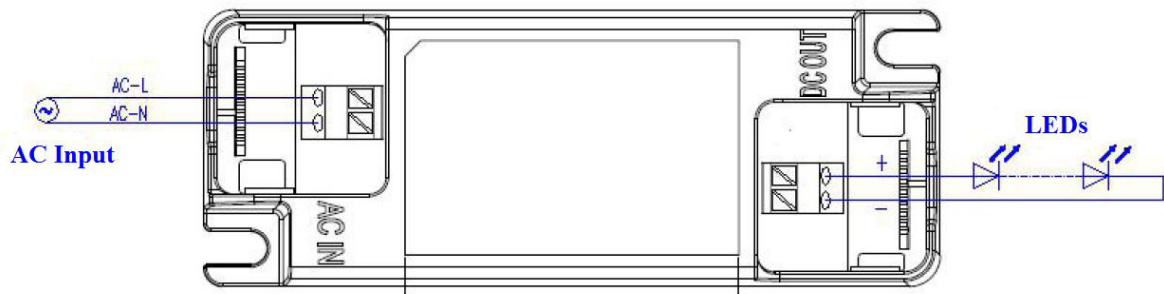
4. Dimensional Drawing (unit: mm)



Model	GIF015YA-250H	Series	AC220-240V & Flicker-Free
--------------	---------------	---------------	---------------------------



5. Wire Connection Diagram:



Model	GIF015YA-250H	Series	AC220-240V & Flicker-Free
--------------	---------------	---------------	---------------------------